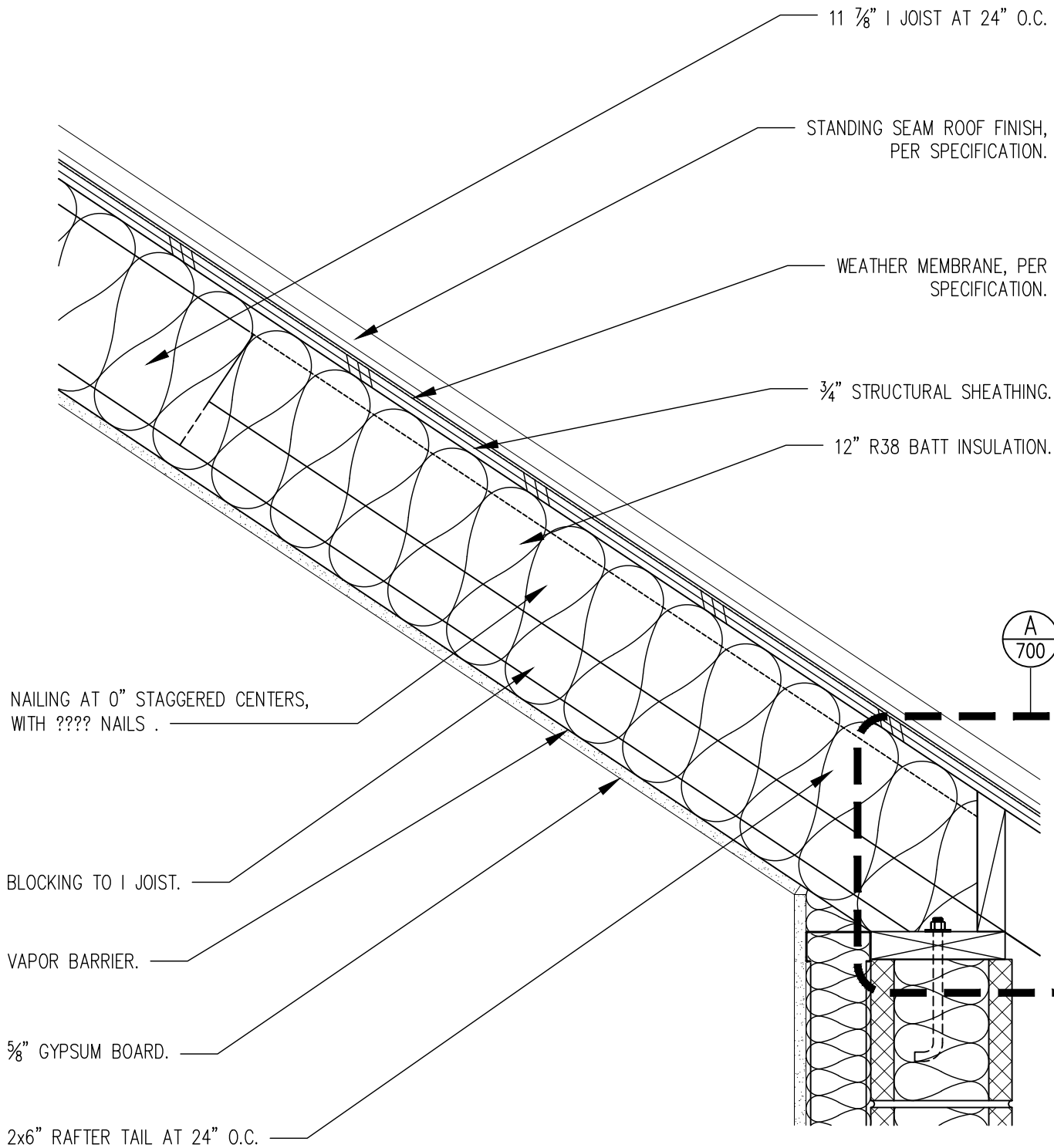
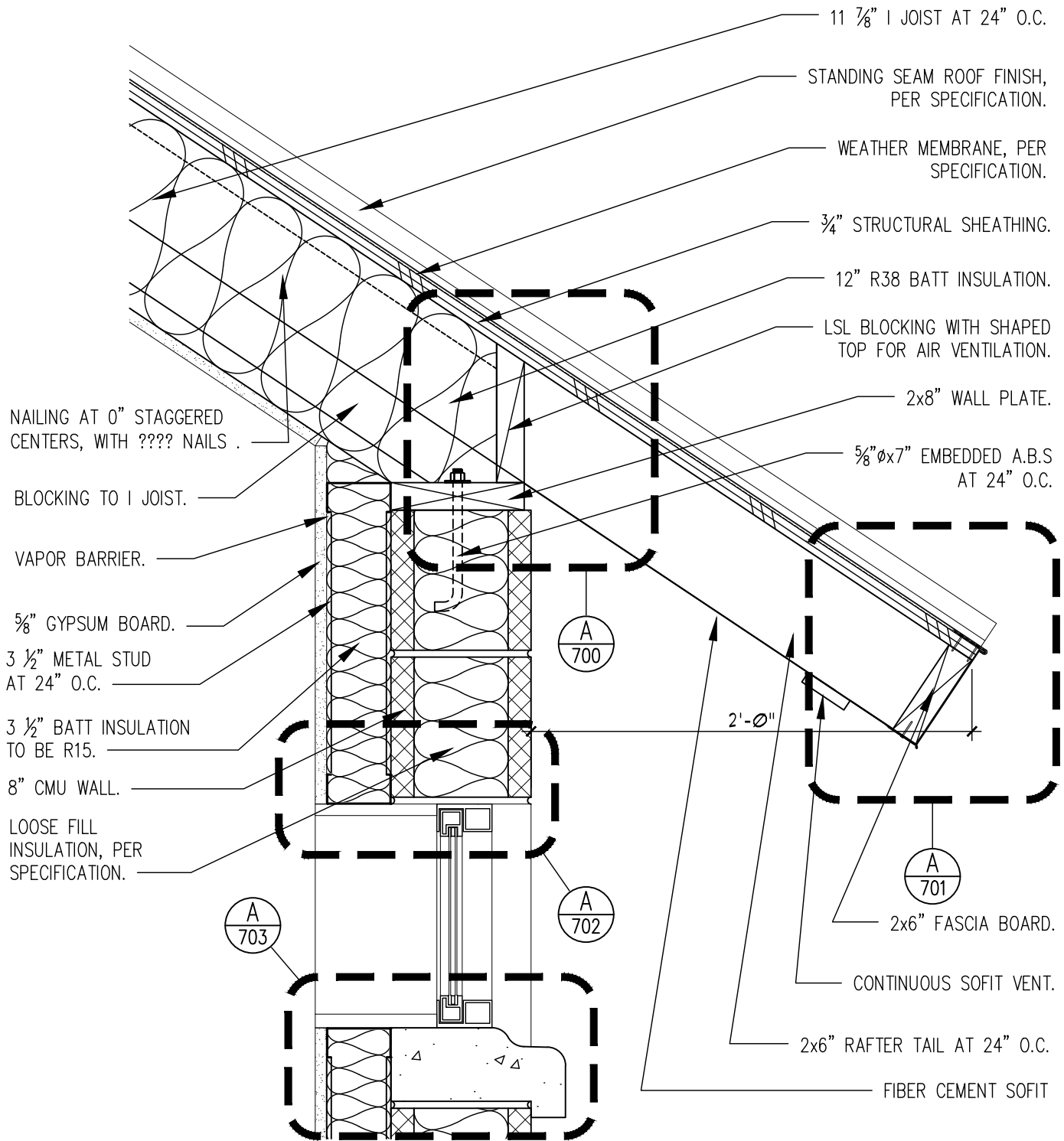


THESE DESIGNS AND DRAWINGS ARE THE EXCLUSIVE PROPERTY OF HUTCHISON SMITH ARCHITECTS, AND ARE NOT TO BE USED OR DUPLICATED WITHOUT PERMISSION. COPYRIGHT © 2018. ALL RIGHTS RESERVED.



**A** **I JOIST TO RAFTER TAIL CONNECTION**  
 Scale: 1" = 1'-0"

THESE DESIGNS AND DRAWINGS ARE THE EXCLUSIVE PROPERTY OF HUTCHISON SMITH ARCHITECTS, AND ARE NOT TO BE USED OR DUPLICATED WITHOUT PERMISSION. COPYRIGHT © 2018. ALL RIGHTS RESERVED.



**A**

# WALL TO RAFTER CONNECTION

Scale: 1" = 1'-0"

REVISIONS:

PROJECT: 18.111

DRAWN: KRT

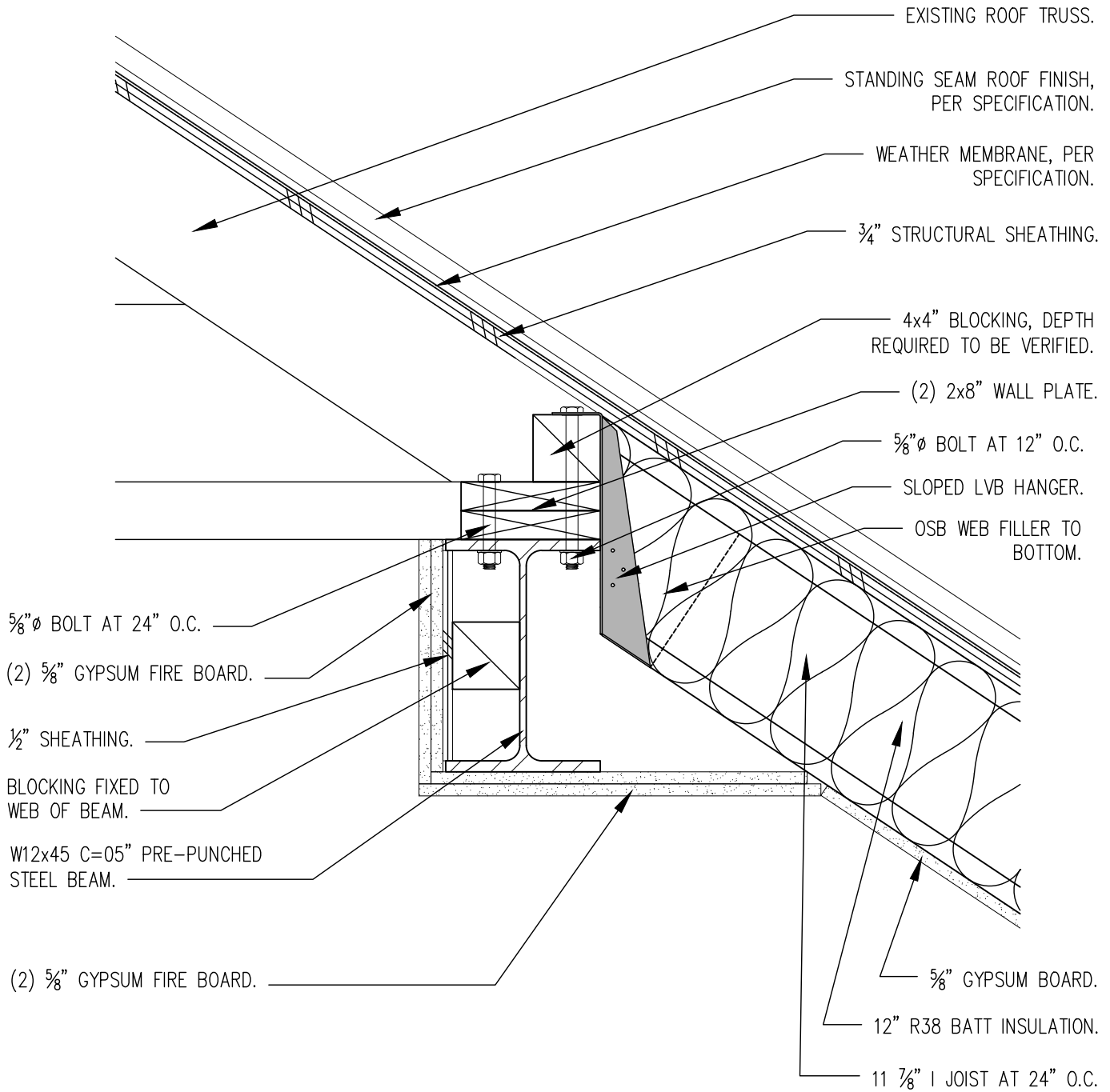
DATE: JUNE 2018

SHEET

**601**

18111\_601

THESE DESIGNS AND DRAWINGS ARE THE EXCLUSIVE PROPERTY OF HUTCHISON SMITH ARCHITECTS, AND ARE NOT TO BE USED OR DUPLICATED WITHOUT PERMISSION. COPYRIGHT © 2018. ALL RIGHTS RESERVED.



**A**

# STEEL BEAM FIXING DETAIL

Scale: 1" = 1'-0"

REVISIONS:

PROJECT: 18.111

SHEET

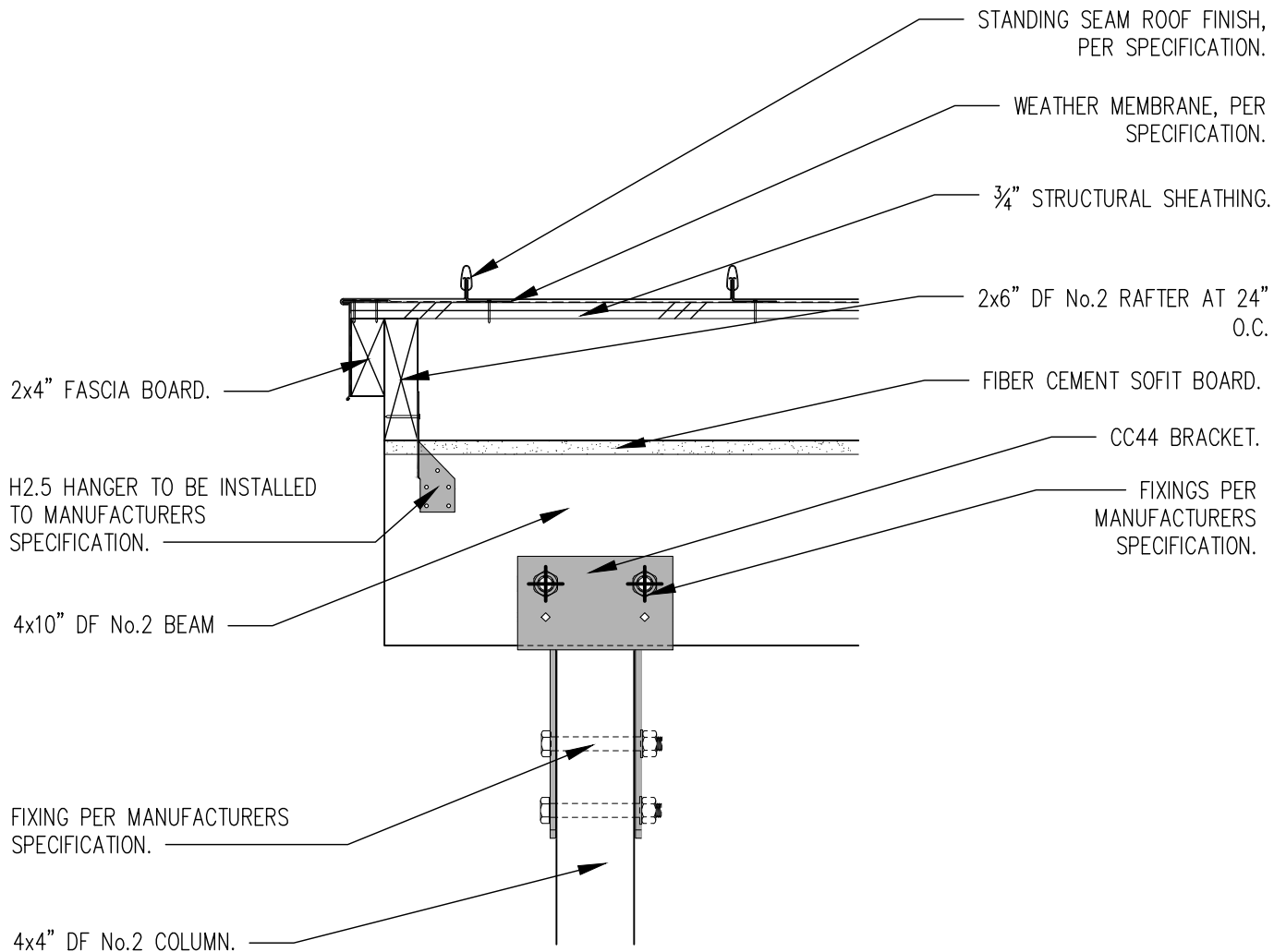
DRAWN: KRT

**602**

DATE: JUNE 2018

18111\_602

THESE DESIGNS AND DRAWINGS ARE THE EXCLUSIVE PROPERTY OF HUTCHISON SMITH ARCHITECTS, AND ARE NOT TO BE USED OR DUPLICATED WITHOUT PERMISSION. COPYRIGHT © 2018. ALL RIGHTS RESERVED.



**A**

# COLUMN TO BEAM FIXING DETAIL

Scale: 1" = 1'-0"

**HSM** HUTCHISON  
SMITH  
ARCHITECTS

270 North 27th St. Boise, ID. 83702 (208) 338-1212 FAX (208) 338-0011 hsaarchitects.com

REVISIONS:

PROJECT: 18.111

DRAWN:  
KRT

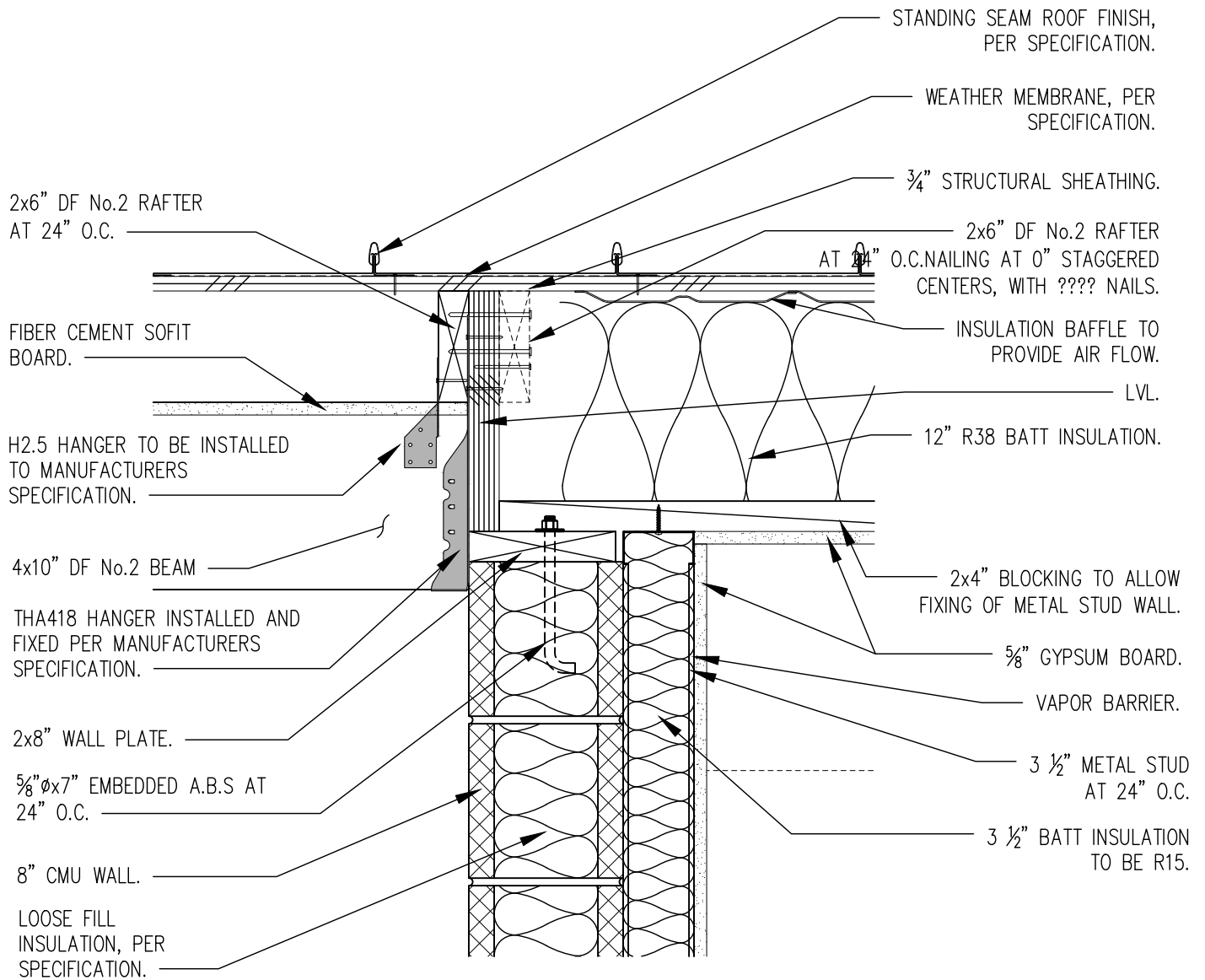
DATE:  
JUNE 2018

SHEET

**603**

18111\_603

THESE DESIGNS AND DRAWINGS ARE THE EXCLUSIVE PROPERTY OF HUTCHISON SMITH ARCHITECTS, AND ARE NOT TO BE USED OR DUPLICATED WITHOUT PERMISSION. COPYRIGHT © 2018. ALL RIGHTS RESERVED.



# ROOF TO WALL CONNECTION AT EXTERNAL WALL AND CANOPY

**A**

Scale: 1" = 1'-0"

**HSM** HUTCHISON  
SMITH  
ARCHITECTS

270 North 27th St. Boise, ID. 83702 (208) 338-1212 FAX (208) 338-0011 hsaarchitects.com

REVISIONS:

PROJECT: 18.111

DRAWN:  
KRT

DATE:  
JUNE 2018

SHEET

**605**

18111\_605