



## CONSTRUCTION MANAGERS • GENERAL CONTRACTORS

---

431 W. McGregor Dr., Boise, ID 83705  
P: 208.384.0800 | F: 208.345.5323 | www.cmcompany.com

February 17, 2025

### ADDENDUM NO. 1

#### **PROJECT:**

ITD D5 Preston Maintenance Shed  
294 East 8 North  
Preston, ID 83263

#### **Owner:**

Idaho Transportation Department  
11331 W. Chinden Blvd., Bldg 8  
Boise, ID 83714

#### **Architect:**

Myers Anderson Architects  
122 S Main St. Ste. 1  
Pocatello, ID 83204

#### **Construction Manager:**

CM Company Inc.  
431 West McGregor Drive  
Boise, Idaho 83705

---

#### **Notice to Bidders:**

The following addenda applies to the Project Specifications and/or Drawings for this project and shall be a part of the Contract Documents. Receipt of this Addendum must be acknowledged and dated on your bid proposals.

#### **BIDDING:**

- 1) Bid Date is unchanged. **Bid date remains Thursday, February 20, 2025** at the time **noted on your bid form.**
- 2) Bids can be turned in at ITD's **District 5** office at **5151 S 5<sup>th</sup> Ave, Pocatello, ID 83204**

#### **General Clarifications:**

- 1) Pre-Bid meeting sign-in sheet is attached.
- 2) If you are submitting for more than one scope of work, or more than one project, make sure that you turn in two separate envelopes. You must also turn in two separate bid forms, bid bonds, and Idaho Clauses Certification Forms.

#### **ATTACHMENTS:**

- 1) Pre-Bid Meeting Sign-In Sheet (2 Pages)
- 2) Addendum #01 from Myers Anderson Architects (5 Pages)

END OF ADDENDUM NO. 1



**CONSTRUCTION MANAGERS • GENERAL CONTRACTORS**

431 W. McGregor Dr., Boise, ID 83705  
P: 208.384.0800 | F: 208.345.5323 | www.cmcompany.com

# Sign In Sheet

Project: 2428 – ITD District 5 Preston Maintenance Shed

Meeting Purpose: Pre-Bid Meeting

Meeting Time & Date: February 10, 2025 at 1:00 PM

Name (PLEASE PRINT)	Company / Email
Matt Vitano	CM Company msthu@cmcompany.com
Travis Frei	ITD travis.frei@itd.idaho.gov
MATT FRANKEL	MATT@MYERSANDERSON.COM MYERS ANDERSON ARCHITECTS
Andy Jordan	Abatement Pro andy@abatementpro.com
Taylor & Keith Ankrum	Superior Asphalt superior-taylor3@gmail.com
GARRETT GOLDADE	CM COMPANY INC GARRETT@CMCOMPANY.COM
Anthony Pirc	ITD tony.pirc@itd.idaho.gov
Jerry Bauer	jerry.bauer@itd.idaho.gov



## CONSTRUCTION MANAGERS • GENERAL CONTRACTORS

431 W. McGregor Dr., Boise, ID 83705  
P: 208.384.0800 | F: 208.345.5323 | [www.cmcompany.com](http://www.cmcompany.com)

# Pre-Bid Meeting Agenda

---

<b>Job:</b>	<u>ITD District 5 Preston Maintenance Shed</u>
<b>Date:</b>	<u>02/10/2025</u>
<b>Start Time:</b>	<u>1:00 PM</u>
<b>Location:</b>	<u>294 East 8 North, Preston, ID 83263</u>
<b>Purpose:</b>	<u>Pre-Bid Meeting and Job Walk</u>

---

1. Sign-In
2. Introduction, Lines of communications, and project team
  - a. Idaho Transportation Department / Owner Representative – Tony Pirc
  - b. Idaho Transportation Department / Contract Officer – Travis Frei
  - c. CM Company, Inc. / Estimator – Matt Vitrano ([mattv@cmcompany.com](mailto:mattv@cmcompany.com))
  - d. CM Company, Inc. / Project Manager – Garrett Goldade ([garrettg@cmcompany.com](mailto:garrettg@cmcompany.com))
  - e. Myers Anderson Architects / Architect – Matt Frankel / Richard Creason
3. Procurement and Contracting Requirements
  - a. **Invitation to Bid** – Issued via dropbox email and on ITD's website
  - b. **Project Overview** – Project consists of a new ground-up Pre-Engineered maintenance shed and mezzanine. Associated demolition and sitework. This prebid meeting is for the two early bid packages – Demolition and Pre-Engineered Metal Building. Demolition and abatement is for the existing building only – site demolition will be bid with the civil bid package at a later date.
  - c. **Permit Status** – Building permit status is TBD.
4. Bid Submittal
  - a. All bids must be sealed.
  - b. There will be a staggered bid opening for this project.
  - c. Bids for BP #1 – Demolition will be accepted at ITD's District 5 regional office at **5151 S 5<sup>th</sup> Ave, Pocatello, ID 83204** until **10:59:59 AM on Thursday, February 20<sup>th</sup>, 2025**.
  - d. Bids for BP #2 – Pre-Engineered Metal Building will be accepted at ITD's District 5 regional office at **5151 S 5<sup>th</sup> Ave, Pocatello, ID 83204** until **11:14:59 AM on Thursday, February 20<sup>th</sup>, 2025**.
5. Bidder Requirements
  - a. All bidders must possess a valid Public Works Contractors License at the time of bid submission.
  - b. All bidders must fill out the bid form attached with the invitation to bid. Failure to fill out the bid form completely will render the bid unresponsive. Emailed bids will not be accepted.
  - c. Bidders must acknowledge all addenda with their bid.
  - d. Bidders must fill out and attach the Drug and Alcohol Affidavit, Idaho Clauses Certification Form, and provide 5% bid surety with their bid.
  - e. Bid surety may come in the form of a bid bond or certified cashier's check.
6. Interpretations and Discrepancies During Bidding
  - a. Send all questions via email to Matt Vitrano ([mattv@cmcompany.com](mailto:mattv@cmcompany.com)). Questions are due no later than (7) days prior to bid.
7. Schedule
8. Design Team Comments
9. ITD Comments

Prepared by:  
CM Company, Inc.  
Matt Vitrano  
Estimator

Copy to: All Attendees, All remaining team members via Addendum #01

**DOCUMENT 00 91 13**

**Addendum Number One**

DATE: February 14, 2025

PROJECT: ITD D5 Preston Maintenance  
Preston, Idaho  
Demolition and PEMB Bid Packages

ARCHITECT'S PROJECT NO.:24625

OWNER: Idaho Transportation Department  
11331 West Chinden Boulevard, Building 8  
Boise Idaho 83714

ARCHITECT: Myers Anderson Architects, PLLC  
122 South Main Street, Suite 1  
Pocatello, Idaho 83204

TO: Prospective Bidders

This Addendum forms a part of the Contract Documents and modifies the Bidding Documents dated January 2025.

Acknowledge receipt of this Addendum in the space provided in the Bid Form. Failure to do so may disqualify the Bidder.

This Addendum consists of three (2) pages plus attachments. **Total: fifteen (5) pages.**

**General**

1. Crane shall be similar to the attached HOJ Ten Ton Crane and is for reference only. Specific span, building dimension, pick height, and crane rail shall be as called out on drawings. Coordination of crane shall be required with awarded crane manufacturer and PEMB manufacturer.
2. The building use/ Importance/ Risk Category shall be II.
3. Wall liner panels shall be full height and extend to bottom of roof structure
4. No liner panel shall be installed on the ceiling of the PEMB

**Substitutions**

1. Specification section 13 34 19 Metal Building Systems: Exterior metal wall panels shall be selected from PEMB manufactures standard profile 24 gauge exposed fastener metal wall panel system
2. Specification section 13 34 19 Metal Building Systems: Interior metal liner panels shall be selected from PEMB manufactures standard profile 26 gauge exposed fastener metal wall liner panel system

**Drawings**

1. Deflection limits shall be per the specifications. Update drawing sheet S1.0 with the deflection limits table as follows:

3. DEFLECTION LIMITS:

ELEMENTS	LIVE LOAD	TOTAL LOAD
ROOF TRUSSES/JOISTS	L/360	L/240
FLOOR TRUSSES/JOISTS	L/360	L/240
BEAMS	L/360	L/240
PRE-ENGINEERED METAL BUILDING ROOF	L/180	L/120

**Attachments**

HOJ ITD D5 Montpelier Overhead Crane Shop drawings

**End of Addendum No. 1**



P.O. BOX 1464 · IDAHO FALLS, IDAHO 83403  
1405 FOOTE DRIVE · IDAHO FALLS, IDAHO 83402  
PHONE (208) 523-2681 · FAX (208) 524-4435

## Submitted for Approval

Date: October 4, 2024

Subcontractor: HOJ Innovations, LLC

Project: 01050 - ITD D5 Montpelier New Maintenance Building

Reviewer: Myers Anderson Architects, PLLC  
Attention: Richard Creason  
Address: 122 S Main St  
Pocatello, ID 83204

Please review the following and return in accordance with the contract specifications:

*Submittal # / Version	Section or Division	Description	Status
SD-16 / 1	146000	Crane Shop Drawings	For Approval

*Michelle Terry*

Michelle Terry

Approved                       Not Approved  
 Approved as Noted     Revise and Resubmit

Architect's review is for the limited purpose of checking for conformance with information given and the design concept expressed in the Contract Documents. Review of this submittal is not conducted for the purpose of determining the accuracy and completeness of other details such as dimensions and quantities or for substantiating instructions for installation or performance of equipment or systems or approval of safety precautions, or for any construction means, methods, techniques, sequences or procedures, all of which remain the responsibility of the Contractor as required by the Contract Documents.

By 

Date 10/15/2024 11:02:31 PM

Myers ■ Anderson Architects

\*PD–Product Data SD–Shop Drawings MD–Mix Design OM–O&M’s ASBLT–As Built  
WAR–Warranty MU–Mock-up REP–Reports/Tests CERT–Certificates CLOSE–Closeouts  
INST–Installation/Instructions EM–Extra Materials CF–Conformance Forms

**CRANE DATA**

**1 General**

Crane type 10-TON TOP RIDING SINGLE GIRDER  
 Span 29'-10"  
 Crane load (SWL) 20 000 lbs  
 Number of MAIN hoists 1

**Hoist 1**

Trolley type Standard  
 Hoist load 20 000 lbs  
 Hoisting height MAIN 18'-0" [max 29'-3 3/16"]  
 Hoist type MAIN SX50410100P5FDL0S  
 Hoist group MAIN ASME H4  
 Hoisting speed 20/3.3 ft/min **2-speed**  
 Weight of one hoist and trolley 1 440 lbs  
 Trolley traversing group CMAA C  
 Trolley traversing speed 65 ft/min **STEPLESS**

Trolley rail gauge N/A

Crane use Indoor  
 Crane group CMAA C  
 Bridge traveling group CMAA C  
 Bridge traveling speed 100 ft/min **STEPLESS**

Dynamic coefficient for live load 1.15  
 Dynamic coefficient for dead load 1.10  
 Sideways pull factor 1.05  
 Crane acceleration 0.82 ft/s<sup>2</sup>

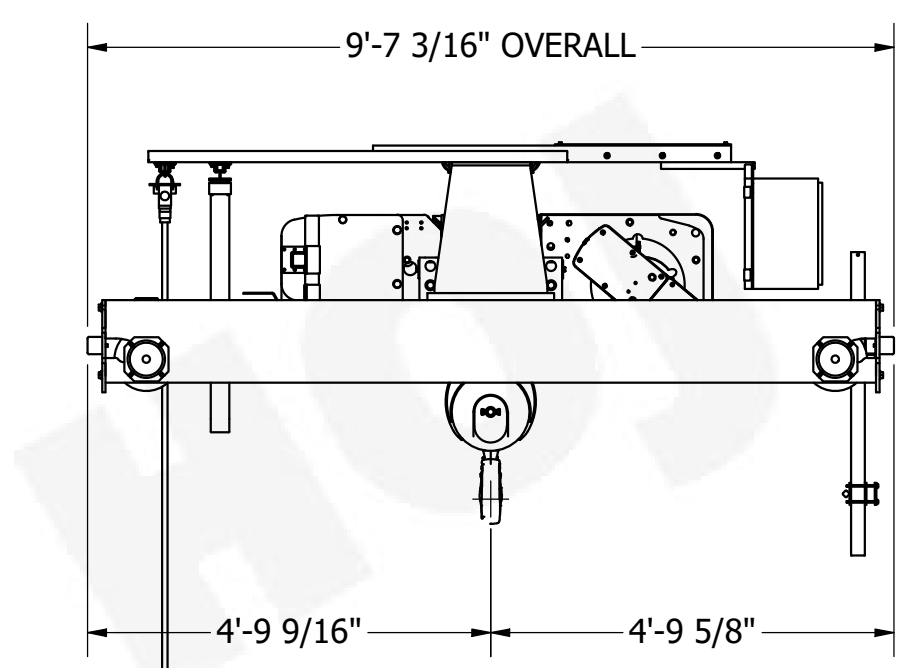
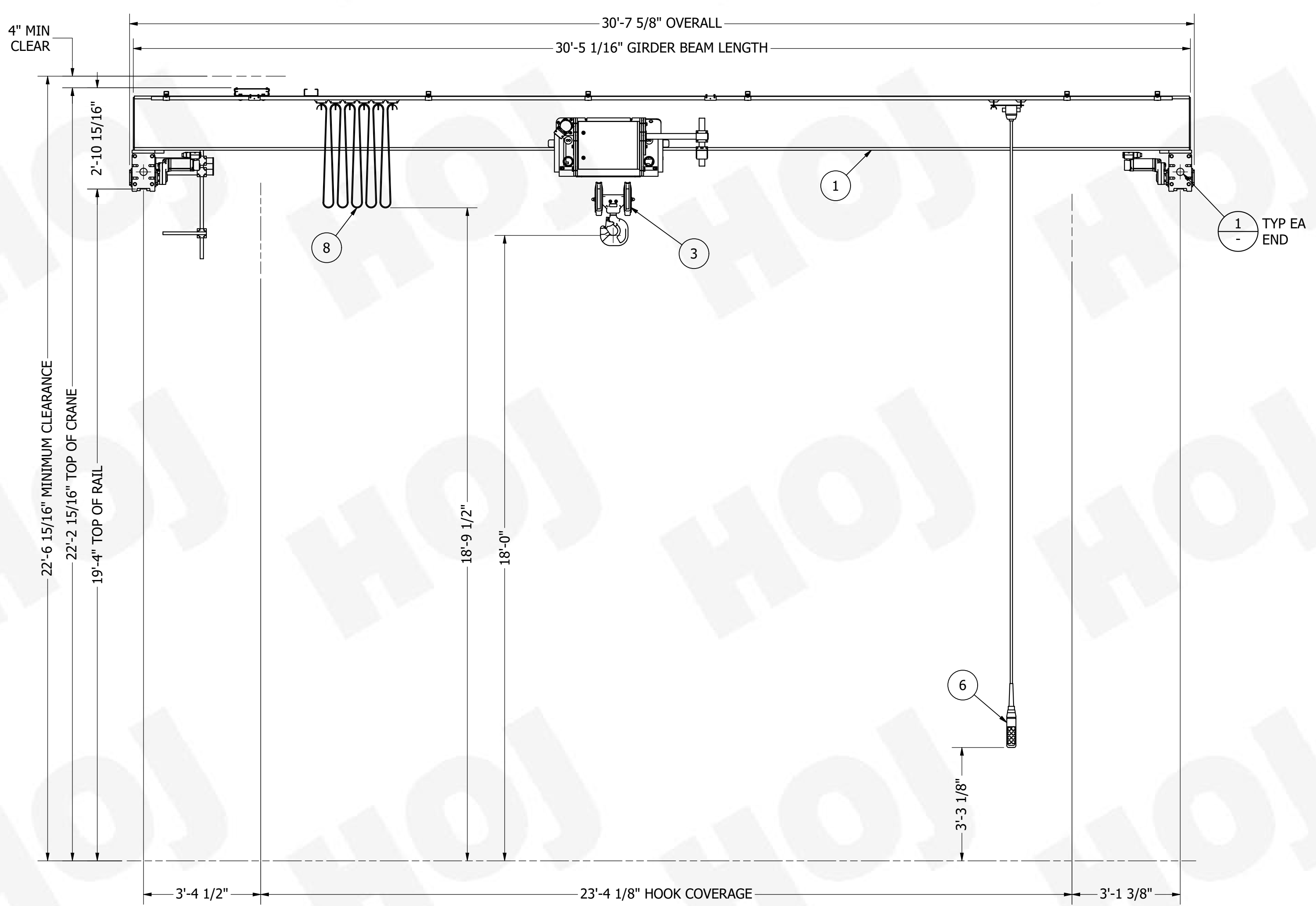
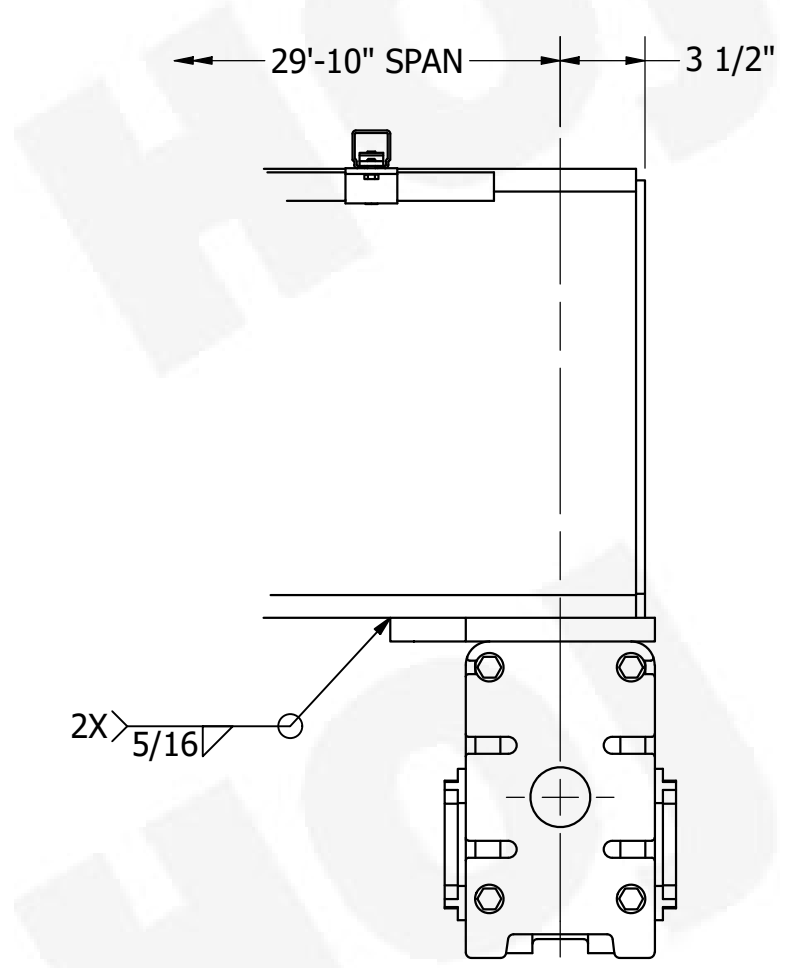
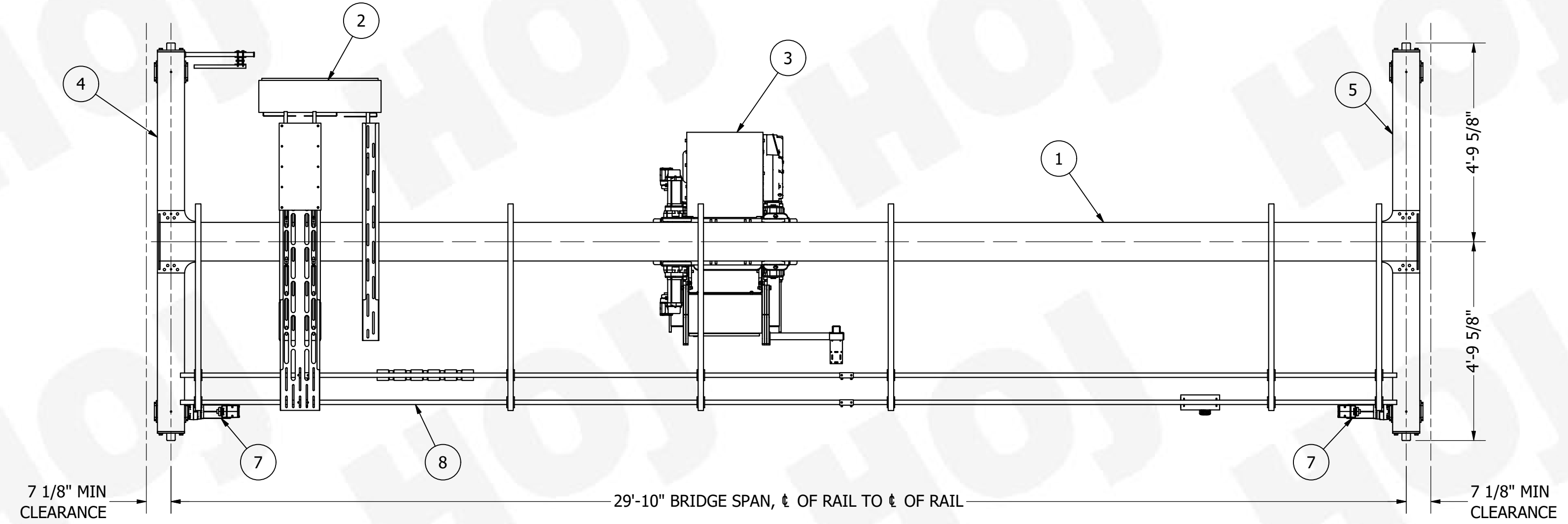
Weight of crane (with hoists) 6 500 lbs  
 Weight of crane bridge (without hoists) 5 070 lbs  
 Weight of one end carriage 580 lbs  
 Weight of one crane traveling machinery 30 lbs  
 Weight of bridge panel 70 lbs  
 Weight of one main girder 3 330 lbs  
 Weight of crane service platform N/A

Main girder type Profile - W18x106-Mata992

**2 Electrical**

**Main voltage 480/3/60**  
 Control voltage 115 V  
 Nominal power of crane 16.8 hp  
**Main fuse size at bridge panel 30 A**  
 Maximum current of crane\*) 87.0 A  
 Nominal current of crane\*) 27.0 A  
 Power factor at starting current 0.75  
 Power factor at nominal current 0.91

BILL OF MATERIAL						
ITEM	QTY.	PART NUMBER	DESCRIPTION	MATERIAL	VENDOR	PO#
1	1	2406-0956-W-01	GIRDER BEAM WELDED ASSEMBLY	STL MILD	HOJ INNOVATIONS	HP106303
2	1	BPP5-1NM400-76J0	BRIDGE PANEL	SEE MFR	HOJ INNOVATIONS	HP106368
3	1	SX50410100P5FDL0S	ELECTRIC HOIST	SEE MFR	HOJ INNOVATIONS	HP106368
4	1	RTN20-2559-L30000A0000-N	END CARRIAGE	SEE MFR	HOJ INNOVATIONS	HP106368
5	1	RTN20-2559-L30000A0000-N	END CARRIAGE	SEE MFR	HOJ INNOVATIONS	HP106368
6	1	PD08-2222NC00-056P0	PUSH BUTTON STATION	SEE MFR	HOJ INNOVATIONS	HP106368
7	2	GES342PS3B0F06LA200-6460E	TRAVELING MACHINERY	SEE MFR	HOJ INNOVATIONS	HP106368
8	1	QQSMS13L5BP576093	TROLLEY POWER SUPPLY PACKAGE	SEE MFR	HOJ INNOVATIONS	HP106368



**FOR APPROVAL**

APPROVAL OF THESE DRAWINGS CONSTITUTES ACCEPTANCE OF DESIGN AND DETAILS OF PROJECT. CHANGES REQUIRED AFTER APPROVAL WILL BE AT CUSTOMER EXPENSE.

APPROVED, NO EXCEPTIONS TAKEN PROCEED WITH FABRICATION

APPROVED AS NOTED, CORRECT AND PROCEED WITH FABRICATION

NOT APPROVED, REVISE & RESUBMIT

COMPANY: \_\_\_\_\_ DATE: \_\_\_\_\_

PRINT NAME: \_\_\_\_\_

AUTHORIZED SIGNATURE: \_\_\_\_\_

**TOLERANCE BLOCK**

**TOL: UNLESS SPECIFIED**

FRACTIONS = ± 1/16

.XX = ± .01

.XXX = ± .005

.XXXX = ± .0005

ANGLE = ± 0.5°

THIRD ANGLE PROJECTIONS ARE USED

**PAINT:**  
 BRIDGE: ALERT ORANGE  
 RUNWAY BEAMS/SUPPORT COLUMNS: MACHINERY GRAY

**INSTALLER'S NOTE:**

- WHEN POWERING UP CRANE, PRESS UP BUTTON FIRST IF HOOK MOVES IN THE UP DIRECTION, CRANE IS PHASED CORRECTLY. IF HOOK LOWERS, TURN OFF POWER AND REVERSE W LINE LEADS. RECHECK DIRECTION.
- SET UPPER AND LOWER GEARED LIMIT SWITCHES TO SUIT FIELD CONDITIONS. THE ROTARY LIMIT SWITCH IS LOCATED IN THE CONNECTION BOX ON THE HOIST GEARBOX.

**PRELIMINARY**  
 NOT FOR CONSTRUCTION

REVISION HISTORY			
REV	DESCRIPTION	APPROVED	DATE
A	PRELIMINARY, ISSUED FOR APPROVAL	NES	10/4/2024

**HOJ** ENGINEERING AND SALES

862 WEST FINE DRIVE, SALT LAKE CITY, UT 84119  
 (801)266-8881 HOJ.NET

PROPRIETARY STATEMENT: THIS MATERIAL CONTAINS CONFIDENTIAL INFORMATION THAT IS PROPERTY OF HOJ ENGINEERING & SALES CO., SALT LAKE CITY, UTAH. ANY UNAUTHORIZED USE, REPRODUCTION, OR DISCLOSURE IS PROHIBITED. THIS DRAWING OR MADE AVAILABLE TO ANY PERSON OR ENTITY WITHOUT THE PRIOR WRITTEN CONSENT OF HOJ ENGINEERING & SALES CO. THE WORK OF HOJ ENGINEERING AND SALES CO. IS GUARANTEED AND EXTENDS TO THE WORK OF ANY SUBCONTRACTOR AND IS NOT MEANT FOR PURPOSES OF CONSTRUCTION UNLESS DULY NOTED.

PROJECT NAME: 10-TON TOP RIDING SINGLE GIRDER CRANE GENERAL ARRANGEMENT

CUSTOMER NAME: DTD D5 MONTELLIER MAINTENANCE SHED 21746 US 30 NORTH MONTELLIER, ID 83254

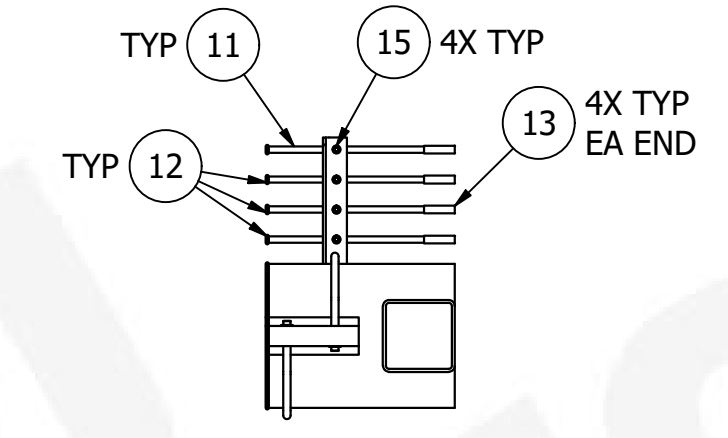
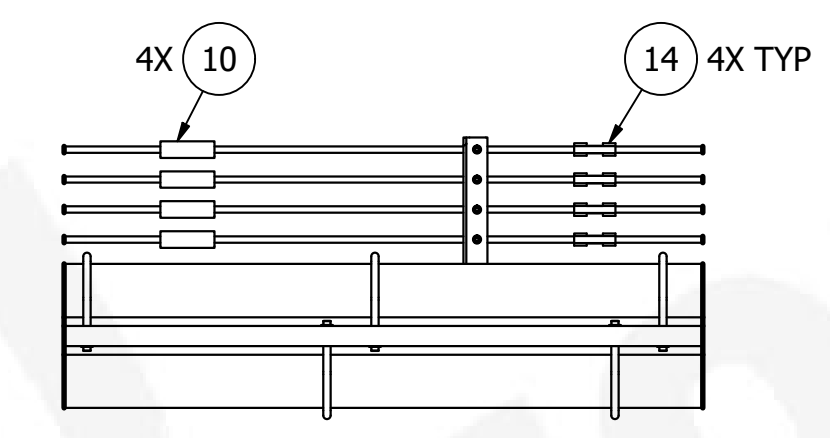
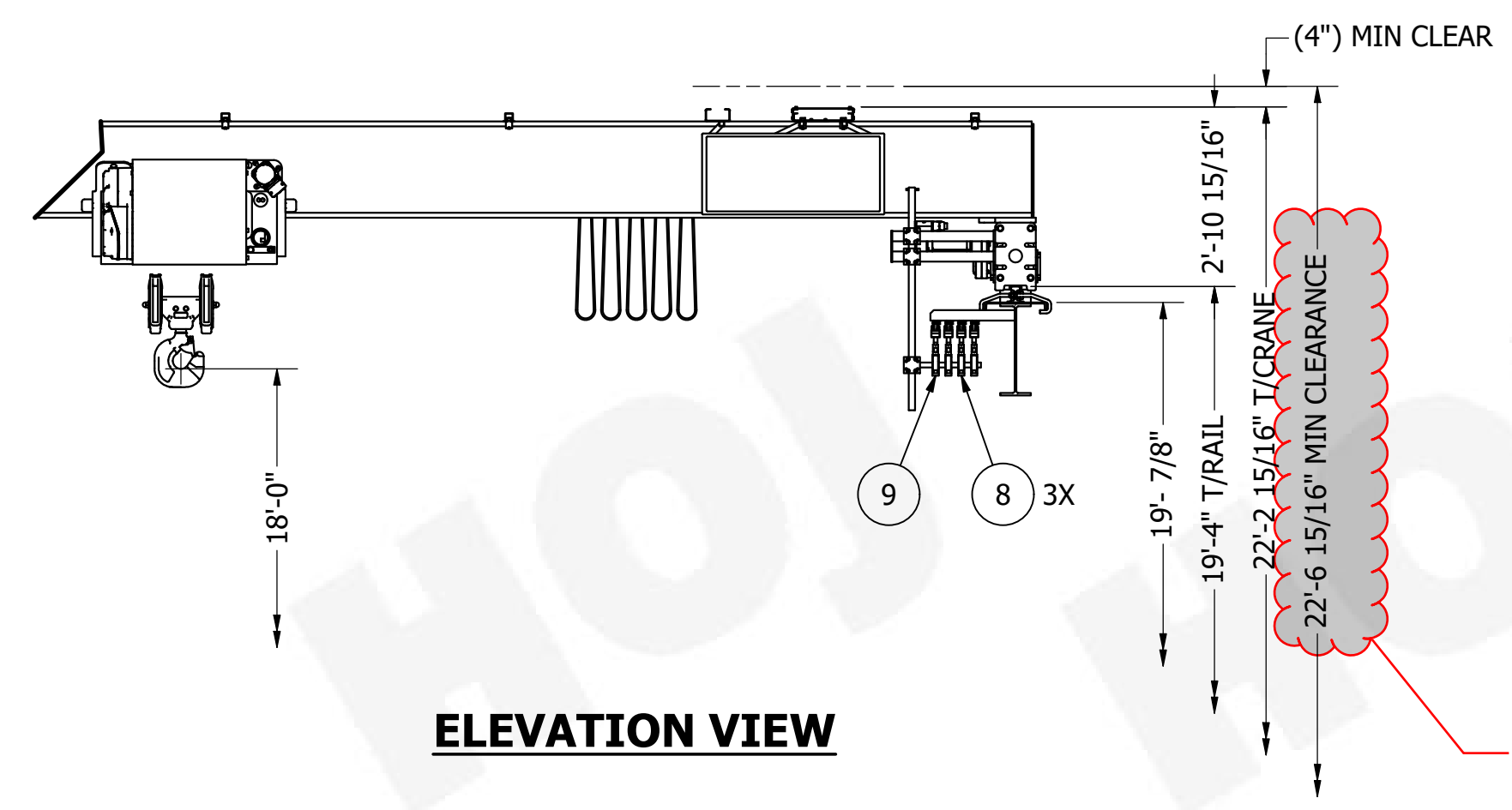
SCALE: DO NOT SCALE

ARCH D

1 OF 1

C:\Users\pobor\OneDrive\Documents\128796-10-TON CRANE SYSTEM\_INVENTORY\128796.dwg, 10/4/2024

ITEM	QTY.	PART NUMBER	DESCRIPTION	MATERIAL	VENDOR	PO#
1	1	128796	10-TON TOP RIDING SINGLE GIRDER CRANE		HOJ INNOVATIONS	HP106303
2	2	2406-0956-0001	ASCE 30 LB RAIL, X 15'-3 1/2" LENGTH	STL MILD	HOJ INNOVATIONS	HP106371
3	8	2406-0956-0002	ASCE 30 LB RAIL, X 20' LENGTH	STL MILD	HOJ INNOVATIONS	HP106371
4	4	2406-0956-0400	HSS, 6" X 6" X 1/4" X 11" LENGTH	A500 GRB STL	HOJ INNOVATIONS	HP106303
5	20	2406-0956-0500	L, 2" X 2" X 1/4" X 1'-4 3/8" LENGTH	A36 STL	HOJ INNOVATIONS	HP106303
6	196	63-30LBM12X10.6	5/8" HOOK BOLT, 30 LB RAIL x MC 12x10.6 CHANNEL	STL MILD	ANY MFR	HP106371
7	8	SK30LB	SPLICE KIT, 30 lb RAIL	A36 STL	ANY MFR	HP106371
8	3	P80-VT3	80 AMP TANDEM COLLECTOR (DOUBLE SHOE) VERTICAL MOUNT SYSTEMS	SEE MFR	DUCT-O-WIRE	HP106373
9	1	P80-VT3G	80 AMP TANDEM COLLECTOR (DOUBLE SHOE) VERTICAL MOUNT SYSTEMS GREEN	SEE MFR	DUCT-O-WIRE	HP106373
10	4	FE-908-2CP	110 AMP CENTER POWER FEED FOR FE-908 SYSTEMS	SEE MFR	DUCT-O-WIRE	HP106373
11	10	FE-908-2G	CONDUCTOR ASSEMBLY GREEN, 110 AMP x 10' LENGTH	SEE MFR	DUCT-O-WIRE	HP106373
12	30	FE-908-2	CONDUCTOR ASSEMBLY ORANGE, 110 AMP x 10' LENGTH	SEE MFR	DUCT-O-WIRE	HP106373
13	8	FE-1GC	FLEXIBLE PVC END CAP	SEE MFR	DUCT-O-WIRE	HP106373
14	36	FE-2ER-EX	SPLICE COVER	SEE MFR	DUCT-O-WIRE	HP106373
15	80	B-100-2FF	ZINC PLATED STEEL HANGER	SEE MFR	DUCT-O-WIRE	HP106373

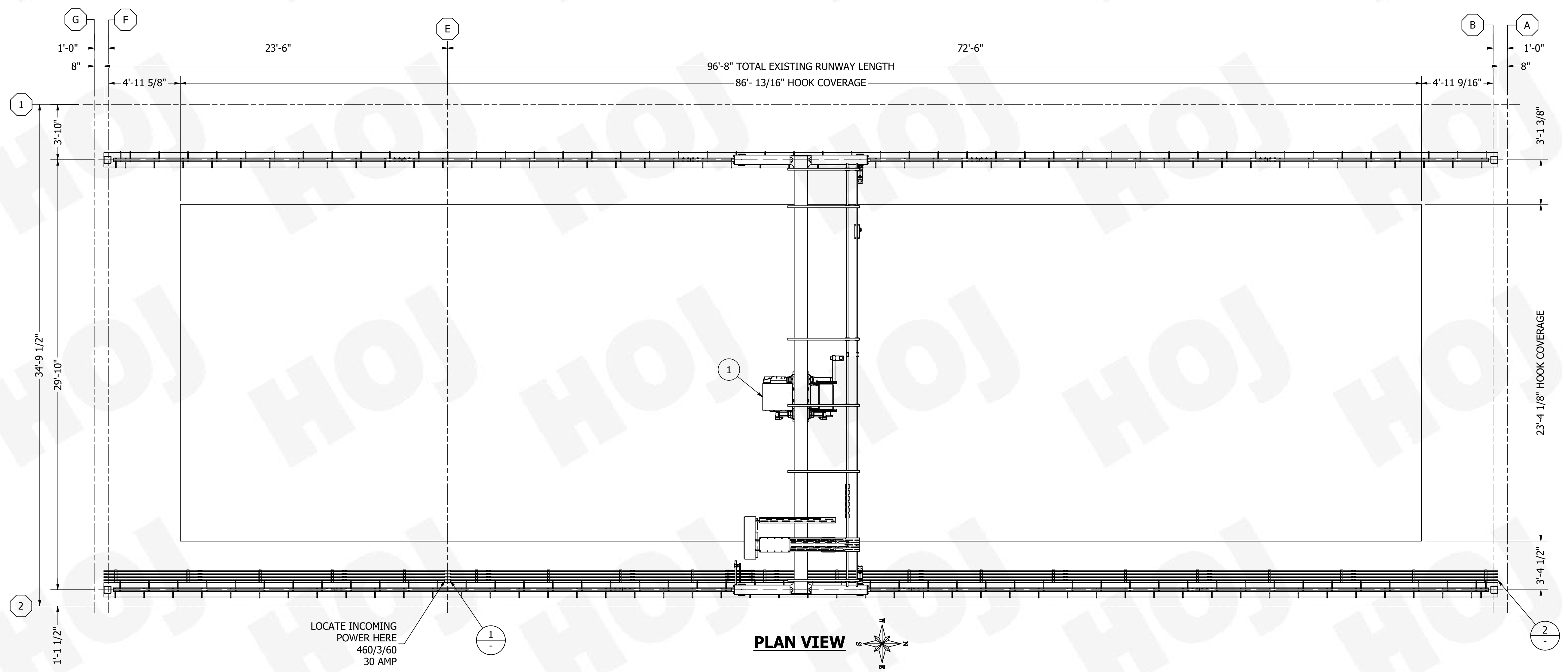


**ELEVATION VIEW**

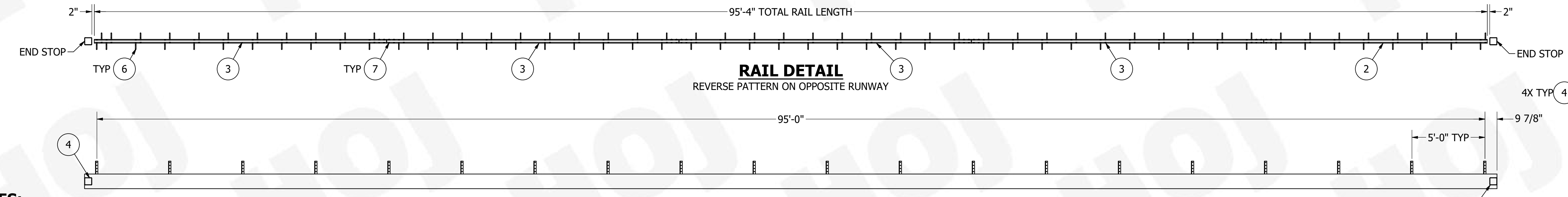
**DETAIL 1**

**DETAIL 2**

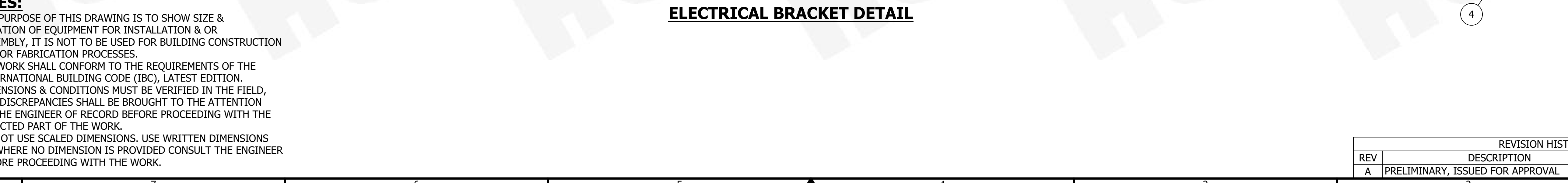
Appears to work with PEMB, Coordinate with PEMB



**PLAN VIEW**



**RAIL DETAIL**



**ELECTRICAL BRACKET DETAIL**

**TOLERANCE BLOCK**  
**TOL: UNLESS SPECIFIED**  
 FRACTIONS = ± 1/16  
 .XX = ± .01  
 .XXX = ± .005  
 .XXXX = ± .0005  
 ANGLE = ± 0.5°  
 THIRD ANGLE PROJECTIONS ARE USED

- NOTES:**
1. THE PURPOSE OF THIS DRAWING IS TO SHOW SIZE & LOCATION OF EQUIPMENT FOR INSTALLATION & OR ASSEMBLY, IT IS NOT TO BE USED FOR BUILDING CONSTRUCTION OR FOR FABRICATION PROCESSES.
  2. ALL WORK SHALL CONFORM TO THE REQUIREMENTS OF THE INTERNATIONAL BUILDING CODE (IBC), LATEST EDITION.
  3. DIMENSIONS & CONDITIONS MUST BE VERIFIED IN THE FIELD, ANY DISCREPANCIES SHALL BE BROUGHT TO THE ATTENTION OF THE ENGINEER OF RECORD BEFORE PROCEEDING WITH THE AFFECTED PART OF THE WORK.
  4. DO NOT USE SCALED DIMENSIONS, USE WRITTEN DIMENSIONS OR WHERE NO DIMENSION IS PROVIDED CONSULT THE ENGINEER BEFORE PROCEEDING WITH THE WORK.

REV	DESCRIPTION	APPROVED	DATE
A	PRELIMINARY, ISSUED FOR APPROVAL	NES	10/4/2024

**HOJ ENGINEERING AND SALES**  
 862 WEST FINE DRIVE, SALT LAKE CITY, UT 84119  
 (801)266-8881 HOJ.NET

PROJECT NAME: **10-TON TOP RIDING SINGLE GIRDER CRANE GENERAL ARRANGEMENT**

CUSTOMER NAME: **TTD D5 MONTPELLIER MAINTENANCE SHED**  
 21746 US 30 NORTH  
 MONTPELLIER, ID 83254

SCALE: **DO NOT SCALE**

DATE: **10/4/2024**

1 OF 1