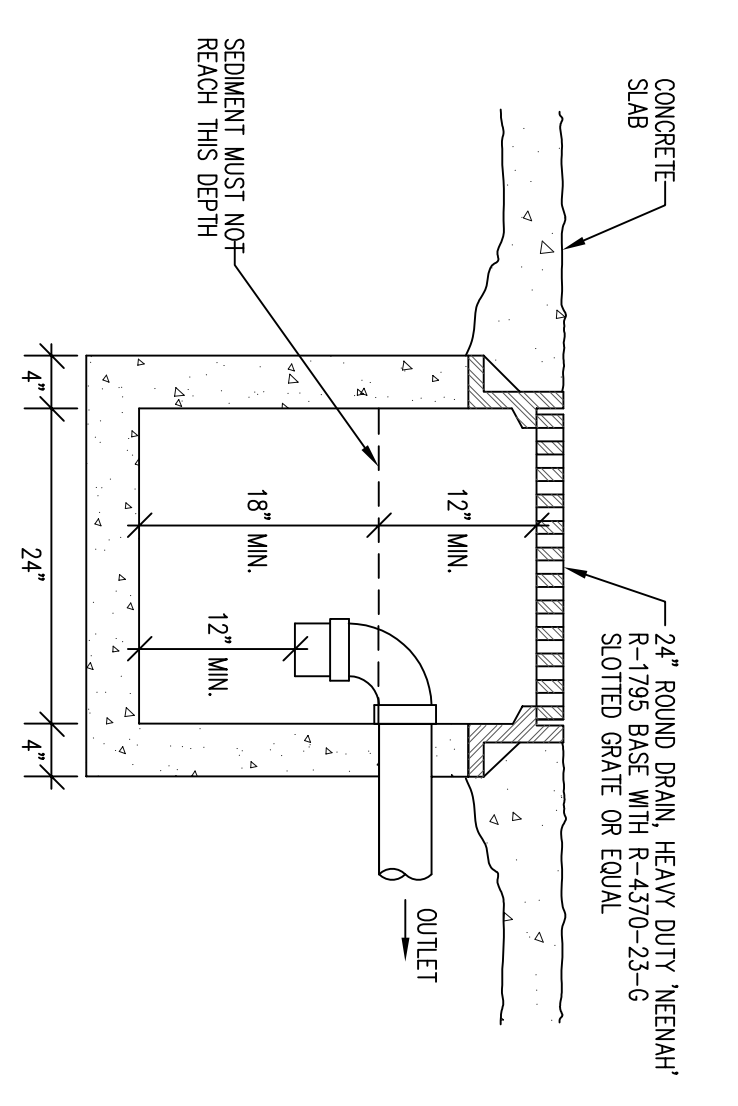


DETAIL - NATURAL GAS PRESSURE REGULATOR

NO SCALE

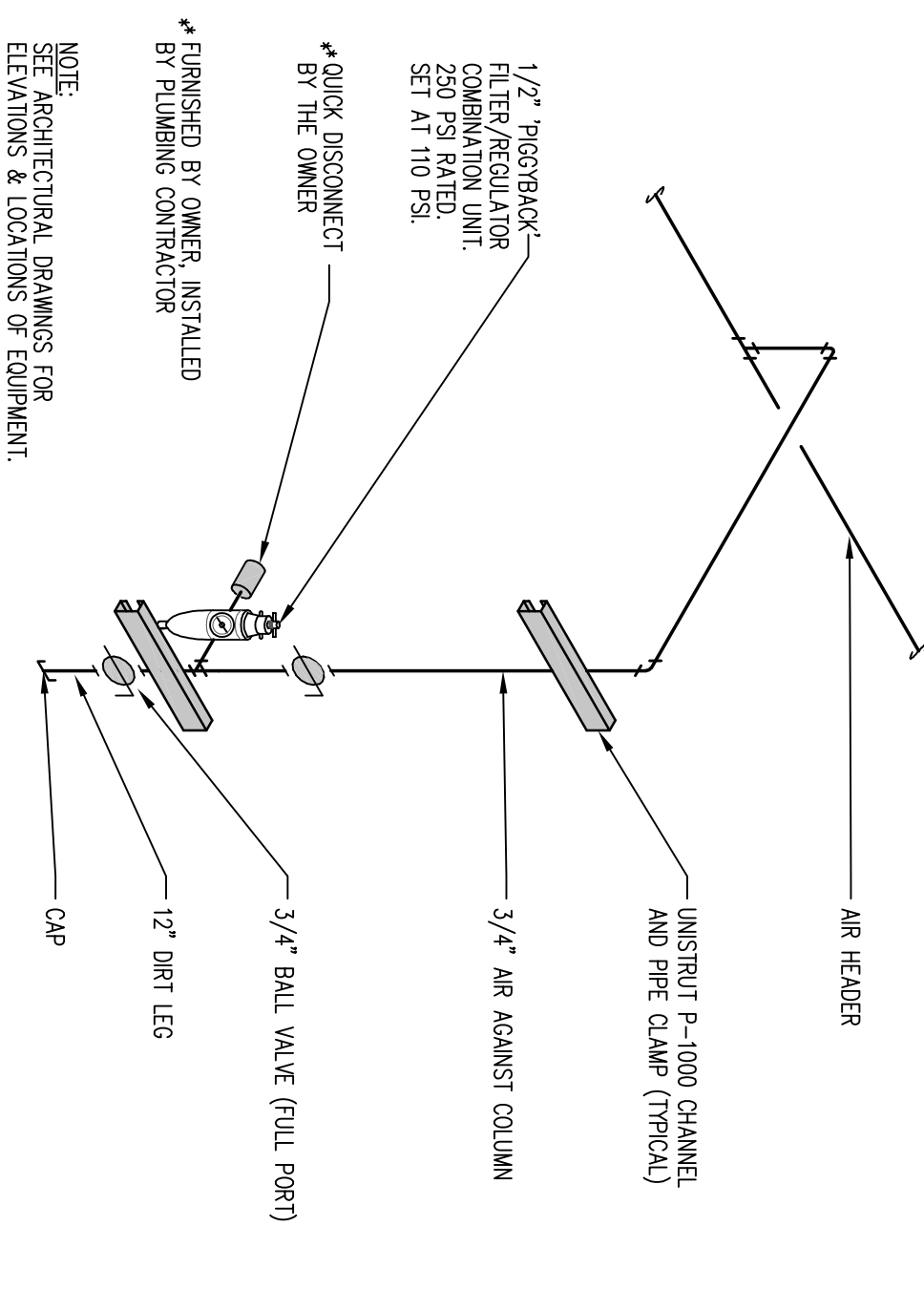
10
P020



DETAIL - CATCH BASIN (H25 RATED)

NO SCALE

5
P020



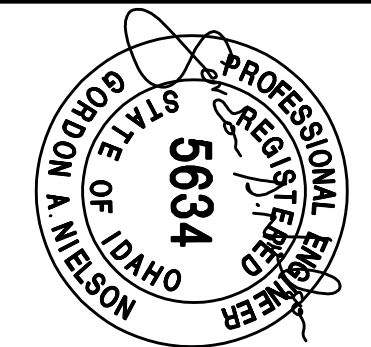
DETAIL - AIR DROPS

NO SCALE

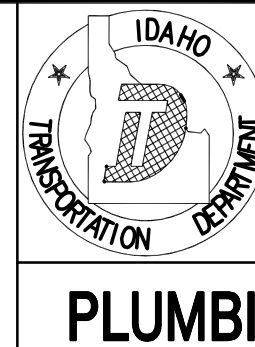
11
P020

PROJECT: 1820
FILE:
DATE: MARCH 2018
DRAWN: SVB
REVISIONS:

HSM HUTCHISON SMITH ARCHITECTS
270 North 27th St. Boise, Idaho. 83702 (208) 338-1212 fax (208) 338-0011



CAREY MAINTENANCE BUILDING ADDITION
IDAHO TRANSPORTATION DEPARTMENT
N. MAIN ST / US HWY 26 CAREY, IDAHO 83320



SHEET NO.
PD2.0