

**ELEVATION**  
DIVIDED HIGHWAY INSTALLATION SHOWN

| REVISIONS |      |    |             |
|-----------|------|----|-------------|
| NO.       | DATE | BY | DESCRIPTION |
|           |      |    |             |
|           |      |    |             |
|           |      |    |             |
|           |      |    |             |

|                 |  |
|-----------------|--|
| DESIGNED        |  |
| DESIGN CHECKED  |  |
| DETAILED        |  |
| DRAWING CHECKED |  |

SCALES SHOWN ARE FOR 11" X 17" PRINTS ONLY  
CADD FILE NAME dd-001.dgn  
DRAWING DATE:  

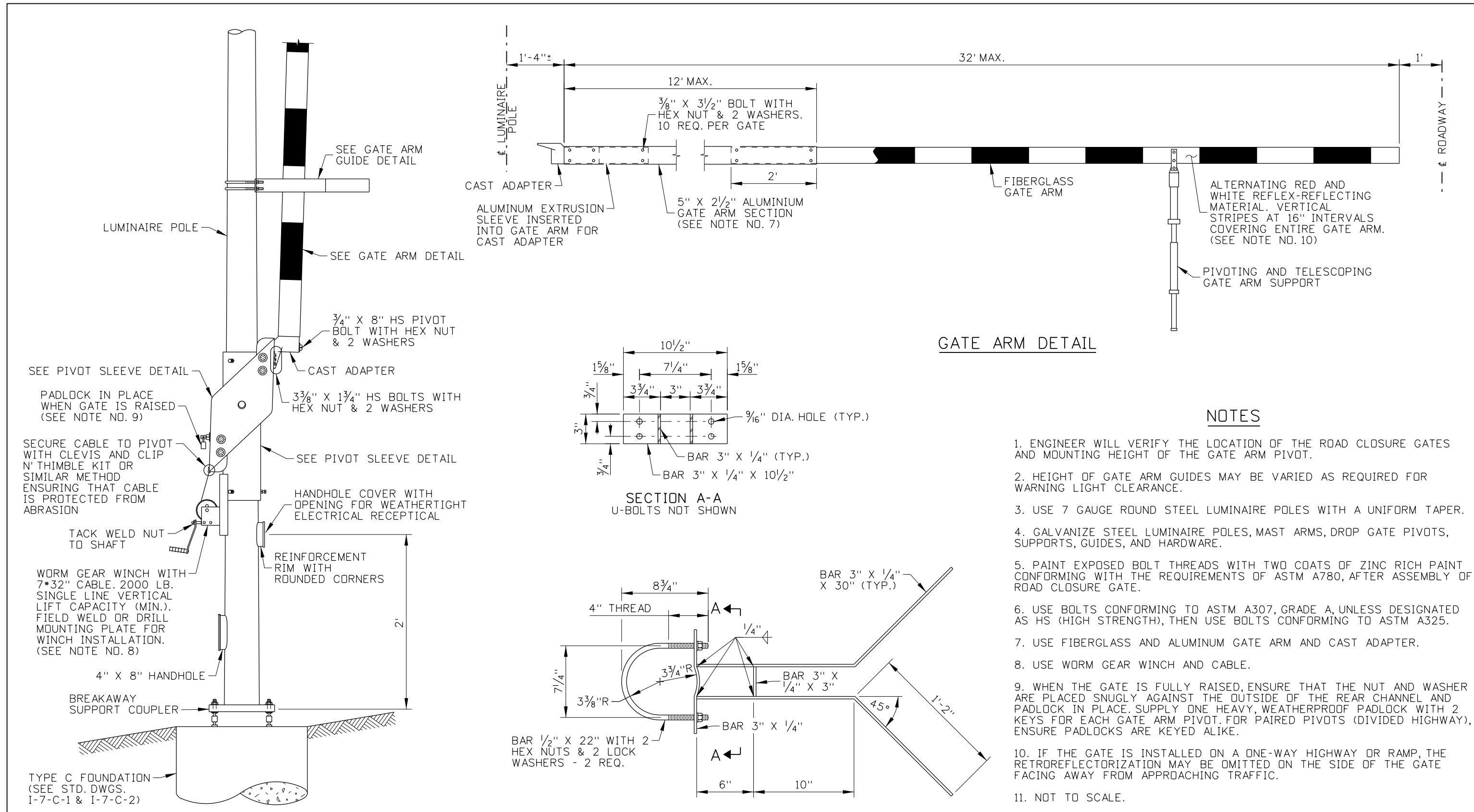
**IDAHO TRANSPORTATION DEPARTMENT**

PROJECT NO.  

dd-001  
**ROAD CLOSURE DROP GATE**

**English**  
COUNTY    
KEY NUMBER    
SHEET 1 OF 3

NOT APPROVED  
PRELIMINARY FOR CONSTRUCTION



GATE ARM DETAIL

NOTES

- ENGINEER WILL VERIFY THE LOCATION OF THE ROAD CLOSURE GATES AND MOUNTING HEIGHT OF THE GATE ARM PIVOT.
- HEIGHT OF GATE ARM GUIDES MAY BE VARIED AS REQUIRED FOR WARNING LIGHT CLEARANCE.
- USE 7 GAUGE ROUND STEEL LUMINAIRE POLES WITH A UNIFORM TAPER.
- GALVANIZE STEEL LUMINAIRE POLES, MAST ARMS, DROP GATE PIVOTS, SUPPORTS, GUIDES, AND HARDWARE.
- PAINT EXPOSED BOLT THREADS WITH TWO COATS OF ZINC RICH PAINT CONFORMING WITH THE REQUIREMENTS OF ASTM A780, AFTER ASSEMBLY OF ROAD CLOSURE GATE.
- USE BOLTS CONFORMING TO ASTM A307, GRADE A, UNLESS DESIGNATED AS HS (HIGH STRENGTH), THEN USE BOLTS CONFORMING TO ASTM A325.
- USE FIBERGLASS AND ALUMINUM GATE ARM AND CAST ADAPTER.
- USE WORM GEAR WINCH AND CABLE.
- WHEN THE GATE IS FULLY RAISED, ENSURE THAT THE NUT AND WASHER ARE PLACED SNUGLY AGAINST THE OUTSIDE OF THE REAR CHANNEL AND PADLOCK IN PLACE. SUPPLY ONE HEAVY, WEATHERPROOF PADLOCK WITH 2 KEYS FOR EACH GATE ARM PIVOT. FOR PAIRED PIVOTS (DIVIDED HIGHWAY), ENSURE PADLOCKS ARE KEYED ALIKE.
- IF THE GATE IS INSTALLED ON A ONE-WAY HIGHWAY OR RAMP, THE RETROREFLECTORIZATION MAY BE OMITTED ON THE SIDE OF THE GATE FACING AWAY FROM APPROACHING TRAFFIC.
- NOT TO SCALE.

PIVOT ASSEMBLY

GATE ARM GUIDE DETAIL

| REVISIONS |      |    |             |
|-----------|------|----|-------------|
| NO.       | DATE | BY | DESCRIPTION |
|           |      |    |             |
|           |      |    |             |
|           |      |    |             |
|           |      |    |             |

DESIGNED  
DESIGN CHECKED  
DETAILED  
DRAWING CHECKED

SCALES SHOWN ARE FOR 11" X 17" PRINTS ONLY  
CADD FILE NAME dd-001.dgn  
DRAWING DATE:

IDAHO TRANSPORTATION DEPARTMENT

PROJECT NO.

dd-001

ROAD CLOSURE DROP GATE

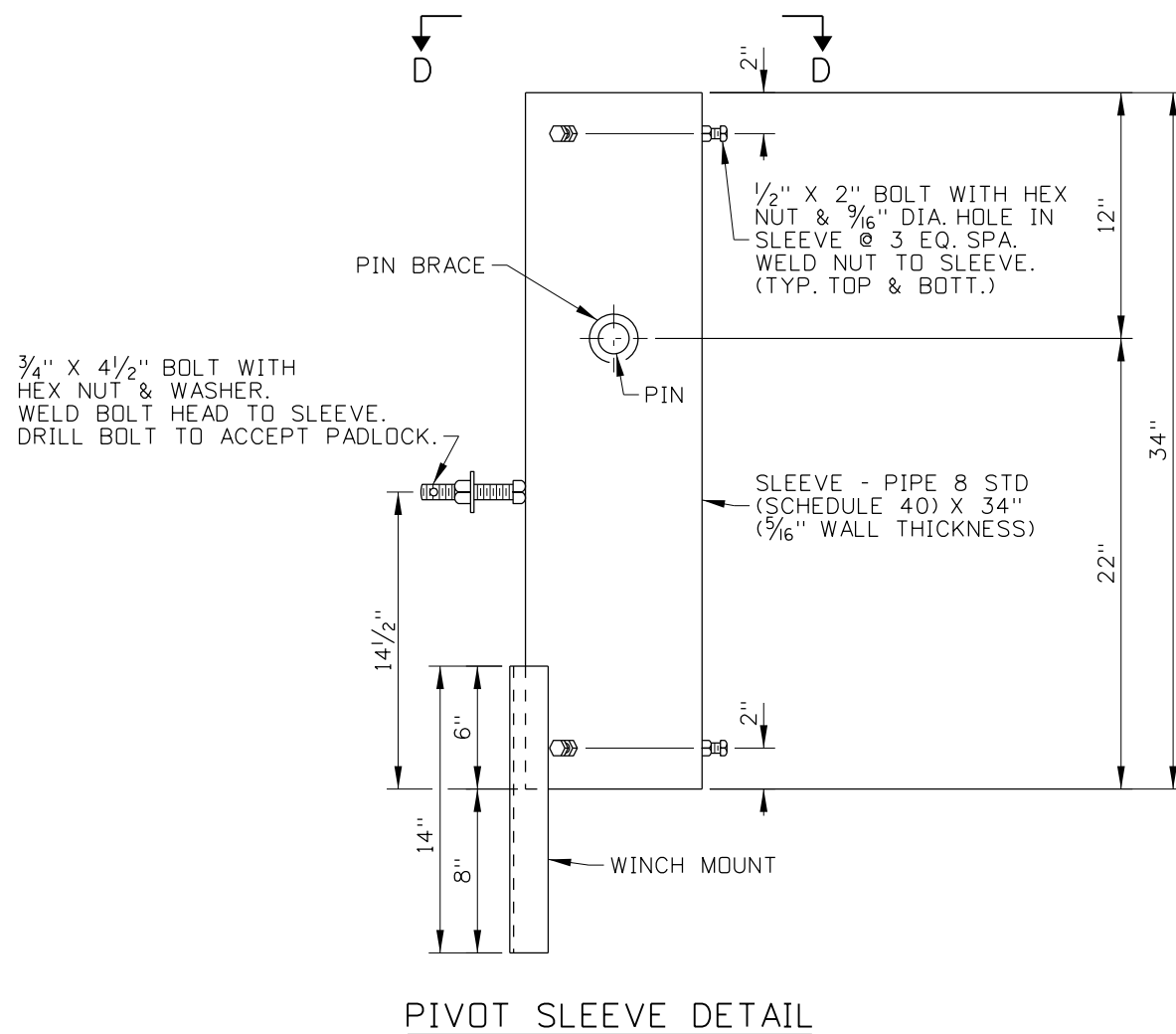
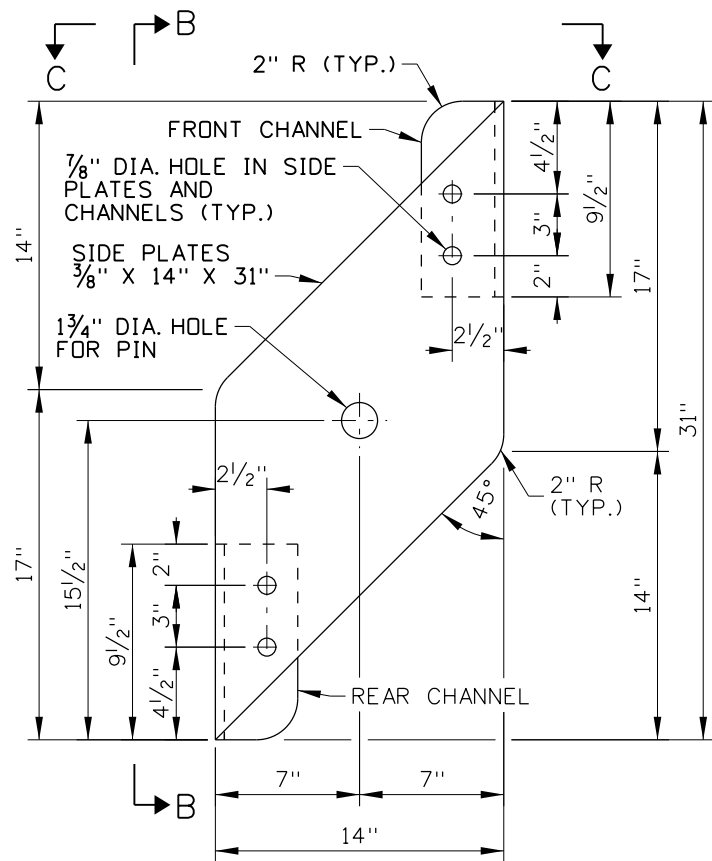
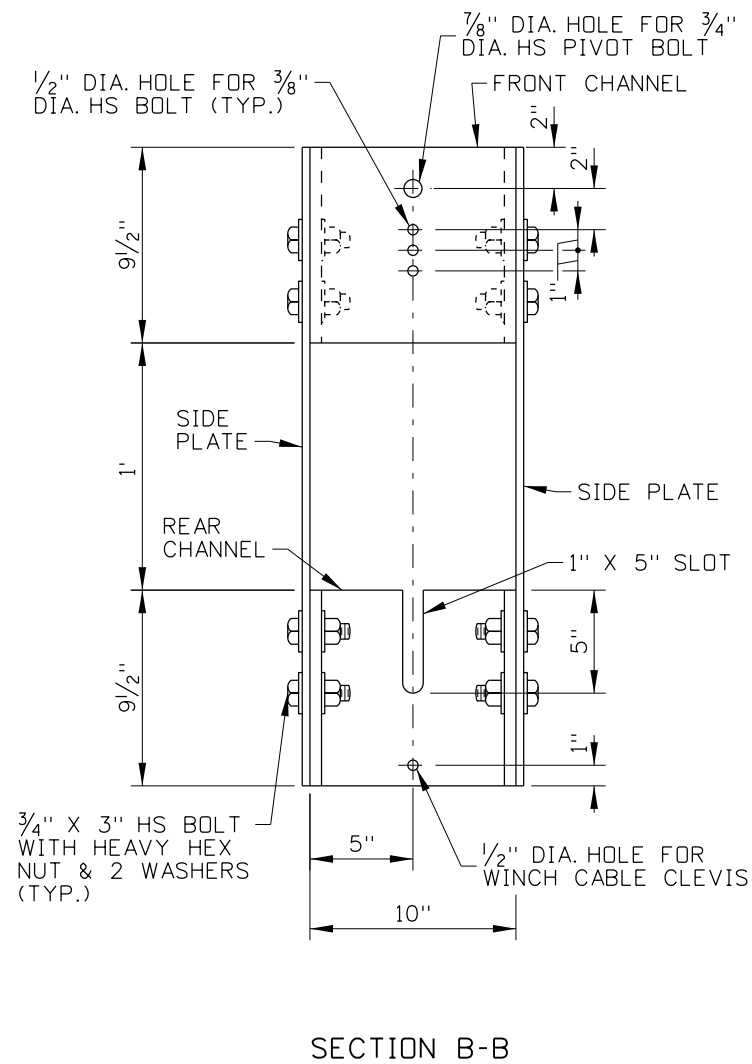
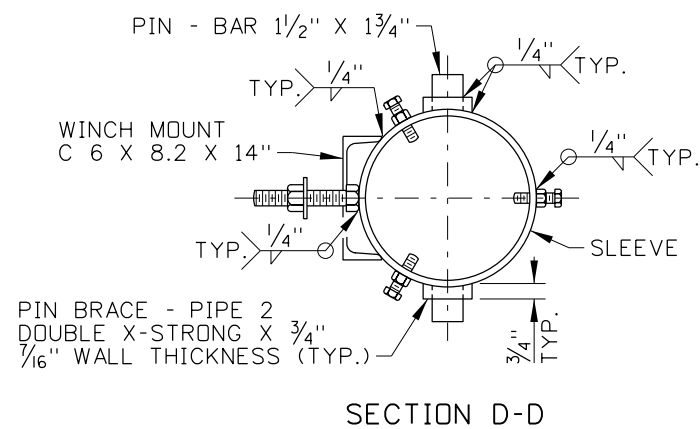
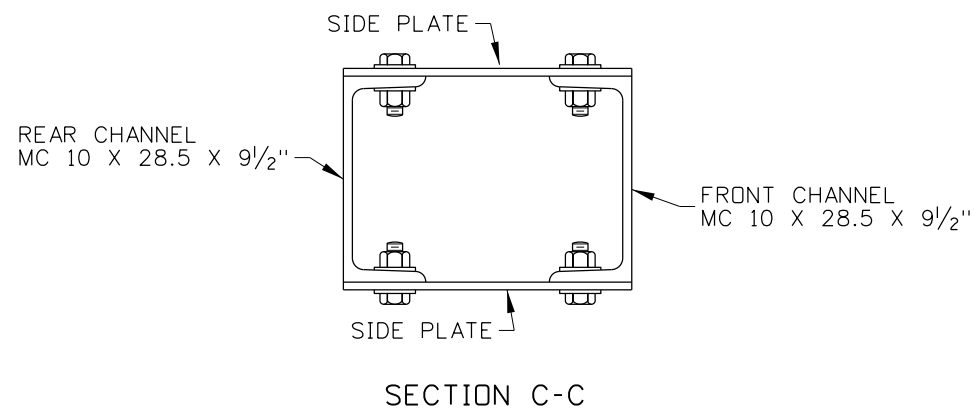
English

COUNTY

KEY NUMBER

SHEET 2 OF 3

NOT APPROVED  
PRELIMINARY  
FOR CONSTRUCTION



| REVISIONS |      |    |             |
|-----------|------|----|-------------|
| NO.       | DATE | BY | DESCRIPTION |
|           |      |    |             |
|           |      |    |             |
|           |      |    |             |
|           |      |    |             |

|                 |  |
|-----------------|--|
| DESIGNED        |  |
| DESIGN CHECKED  |  |
| DETAILED        |  |
| DRAWING CHECKED |  |

|  |
|--|
| SCALES SHOWN<br>ARE FOR 11" X 17"<br>PRINTS ONLY |
| CADD FILE NAME<br>dd-001.dgn                     |
| DRAWING DATE:                                    |

**IDAHO  
TRANSPORTATION  
DEPARTMENT**



|             |        |
|-------------|--------|
| PROJECT NO. | dd-001 |
|-------------|--------|

|                        |
|------------------------|
| ROAD CLOSURE DROP GATE |
|------------------------|

|                |
|----------------|
| <b>English</b> |
| COUNTY         |
| KEY NUMBER     |
| SHEET 3 OF 3   |

NOT  
APPROVED  
PRELIMINARY  
FOR  
CONSTRUCTION