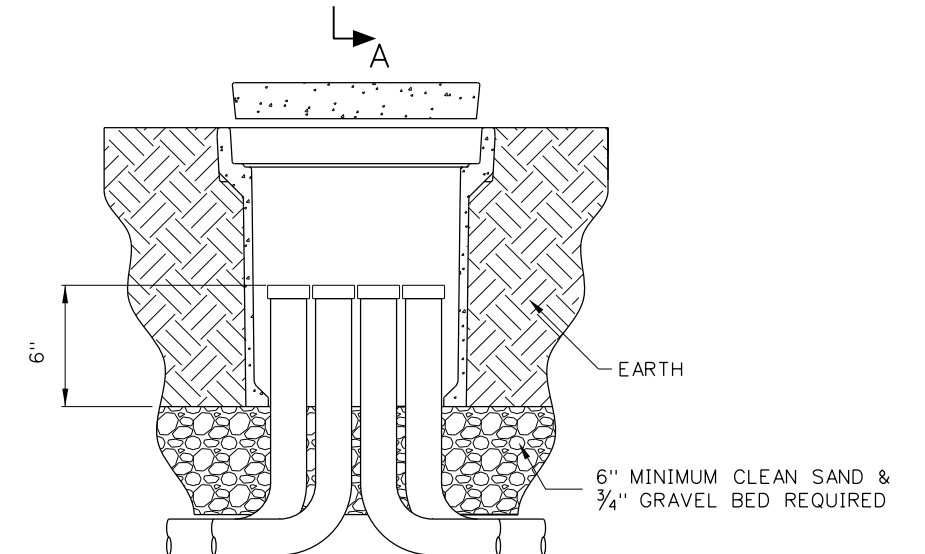
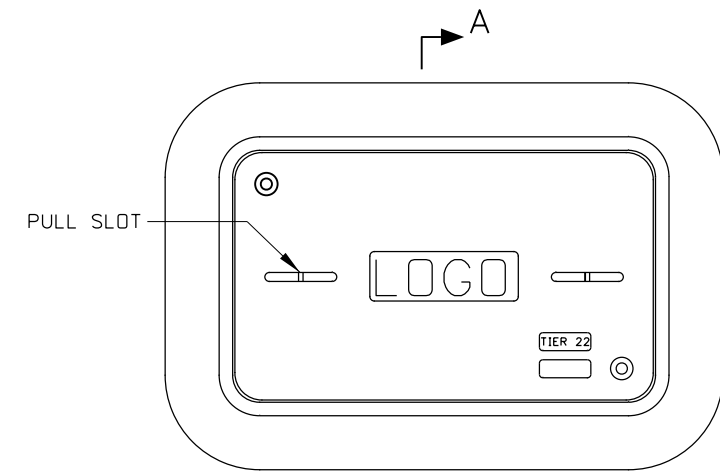


LOGO OPTIONS

- 1. BLANK
- 2. SIGNAL
- 3. LIGHTING



SECTION A-A
TYPICAL JUNCTION BOX

JUNCTION BOX NOTE:

POLYMER CONCRETE JUNCTION BOXES SHALL MEET THE REQUIREMENTS OF THE LATEST EDITION OF THE IDAHO TRANSPORTATION DEPARTMENT STANDARD SPECIFICATIONS FOR HIGHWAY CONSTRUCTION, SUBSECTION 713.06, COMPOSITE JUNCTION BOXES.

TABLE OF DIMENSIONS (NOMINAL)

TYPE	DESCRIPTION	DIMENSIONS							
		A	B	C	D	E	F	G	H
PGB	JUNCTION BOX - (13" x 24" x 18")	23 1/4"	13 3/4"	2"	25"	15 1/2"	18"	21 1/4"	11 1/2"
PGC	JUNCTION BOX - (17" x 30" x 18")	30 1/2"	17 1/2"	2"	32 1/4"	19 1/4"	18"	28 1/2"	15 1/2"
PGD	JUNCTION BOX - (24" x 36" x 24")	30 5/8"	24"	3"	37 5/8"	26"	24"	29 3/4"	20 3/4"

NOT TO SCALE

REVISIONS				DESIGNED	SCALES SHOWN ARE FOR 11" X 17" PRINTS ONLY
NO.	DATE	BY	DESCRIPTION	DESIGN CHECKED	
1	08-15-15	HEB	UPDATED THE TYPE AND H DIMENSIONS.	DETAILED	
				DRAWING CHECKED	

CADD FILE NAME
td12a_0314.dgn
DRAWING DATE:
APRIL, 2013



PROJECT NO.

td12a
**COMPOSITE
POLYMER
JUNCTION BOX**

English
COUNTY
KEY NUMBER
SHEET OF

NOT APPROVED
PRELIMINARY
FOR CONSTRUCTION