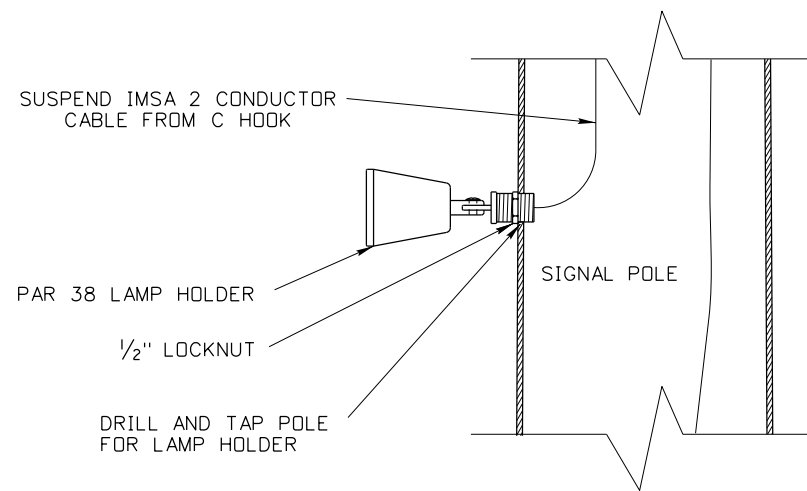


EMERGENCY VEHICLE DETECTOR
AND MOUNTING ASSEMBLY
VIEW B-B



PREEMPT INDICATOR LIGHT
INSTALLATION DETAIL


DUAL CHANNEL DETECTOR

REVISIONS			
NO.	DATE	BY	DESCRIPTION
1	02-12	EGB	4 SECTION HEAD & CORRECTED LEVELS

DESIGNED	
DESIGN CHECKED	
DETAILED	
DRAWING CHECKED	

SCALES SHOWN ARE FOR 11" X 17" PRINTS ONLY
CADD FILE NAME: td33a_0507.dgn
DRAWING DATE: JULY, 1995

IDAHO TRANSPORTATION DEPARTMENT



DISTRICT XXXX TRAFFIC

PROJECT NO.	td33a
-------------	-------

PREEMPT INDICATOR LIGHT SIGNAL POLE MOUNTED	
--	--

English	
COUNTY	
KEY NUMBER	
SHEET	OF

NOT APPROVED
PRELIMINARY
FOR CONSTRUCTION