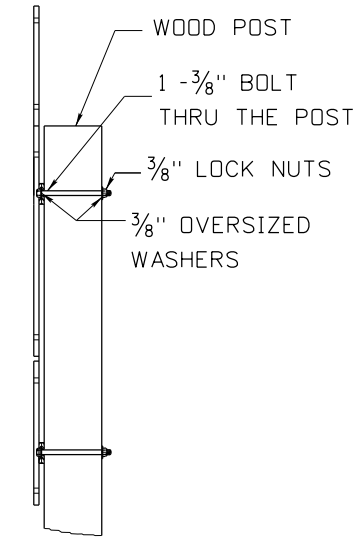


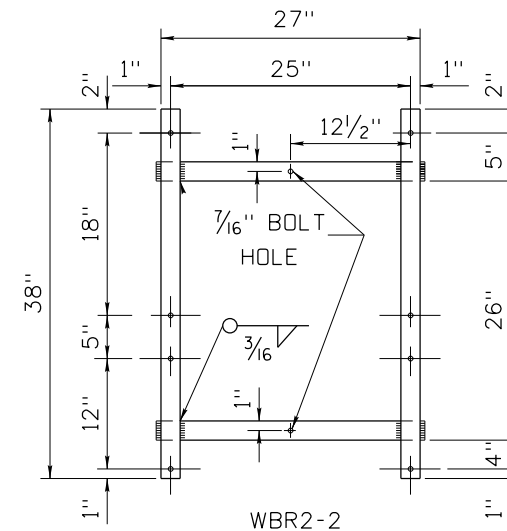
WBR2-1
BRACKET WEIGHT = 22.10 LBS

BRACKET FOR WOOD POST WITH TWO ROUTE SIGNS, TWO CARDINAL DIRECTION SIGNS, AND TWO DIRECTIONAL ARROWS



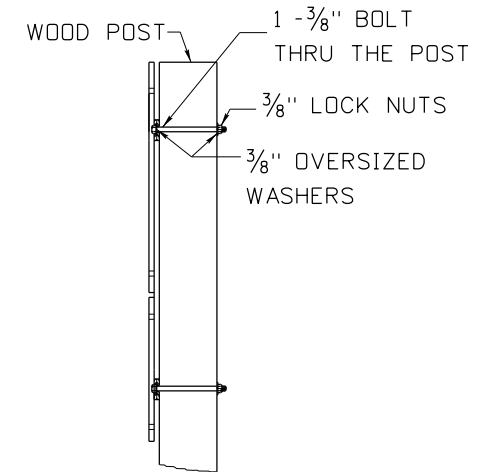
SIDE VIEW

- BRACKET MATERIALS:
1. 1/4" x 2" BAR AT 1.70 LBS/FT. FOR ALL VERTICAL SUPPORTS AND HORIZONTAL MEMBERS.
 2. ALL SIGN MOUNTING HOLES ARE TO BE 3/8" DIA.
 3. BRACKET NUMBER WBR2 - WOOD POST BRACKET FOR TWO ROUTE SIGNS.
 4. FOR BRACKETS THAT REQUIRE MODIFICATION ADD AN "A" TO THE BRACKET NUMBER. EXAMPLE WBR2-3A.
 5. DRAWING NOT TO SCALE.

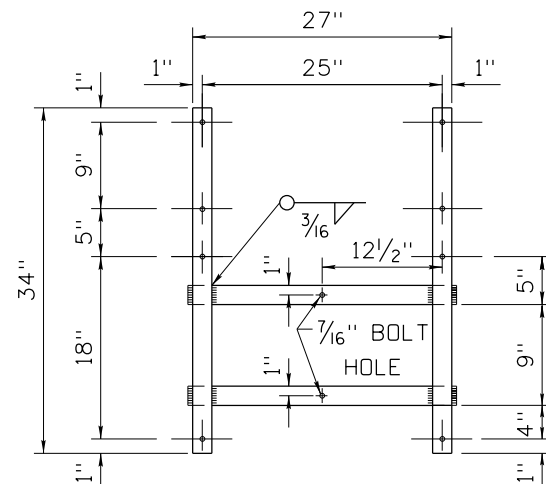


WBR2-2
BRACKET WEIGHT = 18.43 LBS

BRACKET FOR WOOD POST WITH TWO ROUTE SIGNS AND TWO DIRECTIONAL ARROW SIGNS

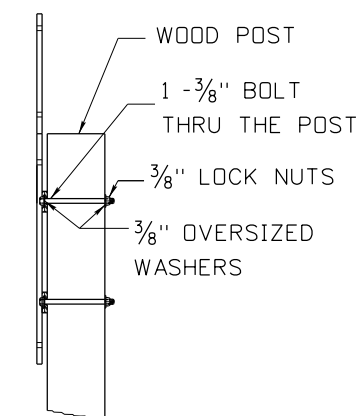


SIDE VIEW

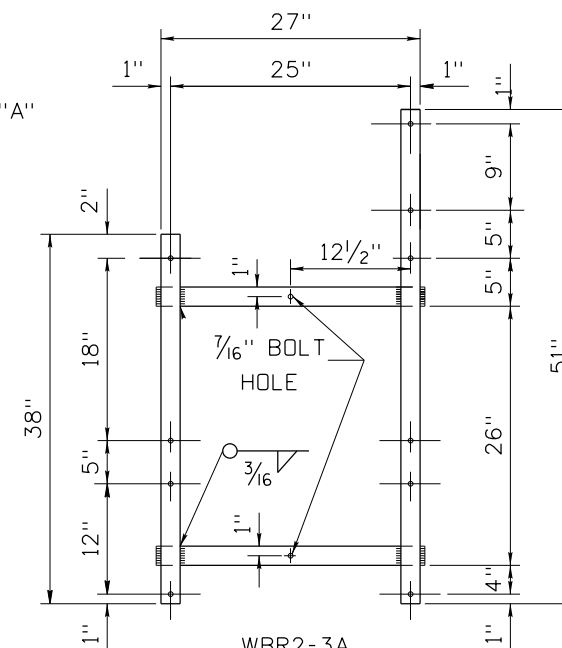


WBR2-3
BRACKET WEIGHT = 17.28 LBS

BRACKET FOR WOOD POST WITH TWO ROUTE SIGNS AND TWO DIRECTION SIGNS

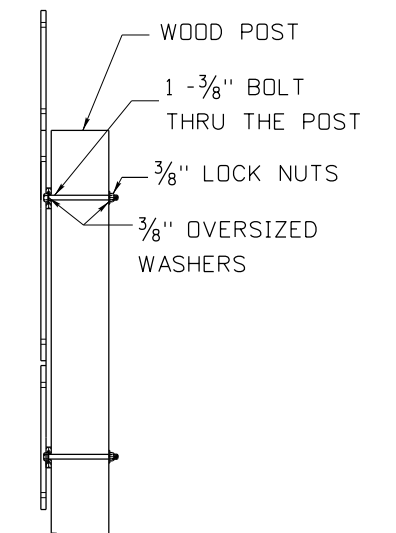


SIDE VIEW



WBR2-3A
BRACKET WEIGHT = 20.26 LBS

EXAMPLE MODIFIED BRACKET BRACKET FOR WOOD POST WITH TWO ROUTE SIGNS, ONE DIRECTION SIGN AND TWO DIRECTIONAL ARROWS



SIDE VIEW

REVISIONS			
NO.	DATE	BY	DESCRIPTION

DESIGNED	
DESIGN CHECKED	
DETAILED	
DRAWING CHECKED	

SCALES SHOWN ARE FOR 11" X 17" PRINTS ONLY
CADD FILE NAME td56_0318.dgn
DRAWING DATE:

IDAHO TRANSPORTATION DEPARTMENT

PROJECT NO.	td56
THE ABOVE BRACKET DETAILS MAY BE MODIFIED TO MEET THE PROJECT NEEDS.	

WOOD POST TWO ROUTE SIGN BRACKET DETAILS
--

English
COUNTY
KEY NUMBER
SHEET OF

NOT APPROVED
PRELIMINARY
FOR CONSTRUCTION