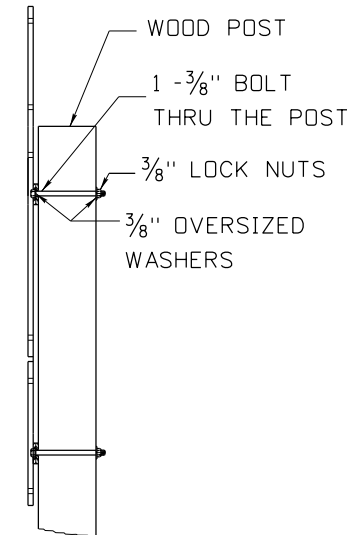


WBR3-1

BRACKET WEIGHT = 36.41 LBS

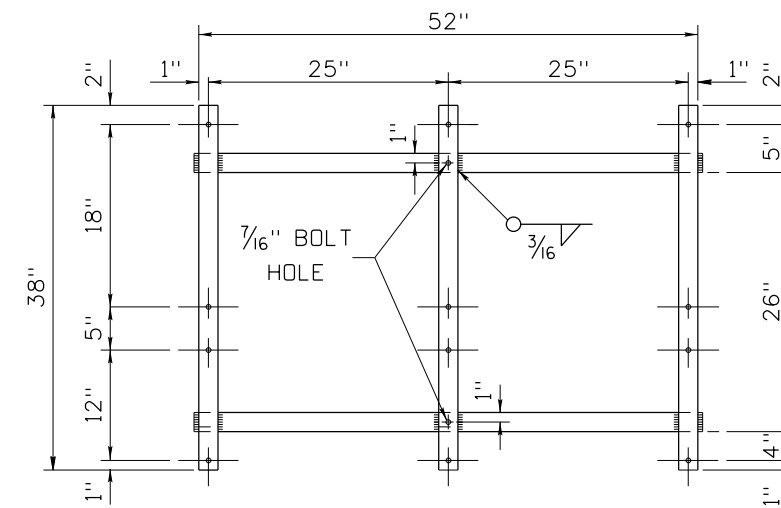
BRACKET FOR WOOD POST WITH THREE ROUTE SIGNS, THREE DIRECTION SIGNS, AND THREE DIRECTIONAL ARROWS



SIDE VIEW

BRACKET MATERIALS:

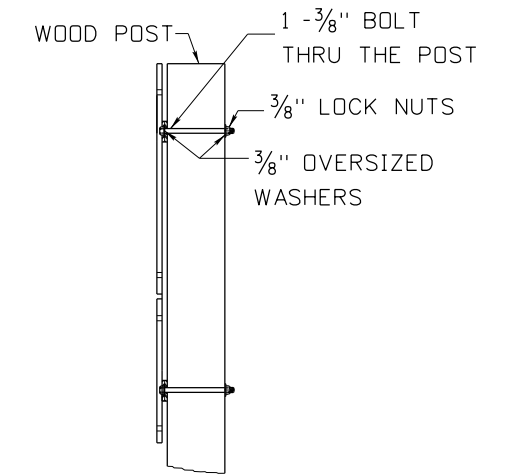
1. 1/4" x 2" BAR AT 1.70 LBS/FT. FOR ALL VERTICAL SUPPORTS AND HORIZONTAL MEMBERS.
2. ALL SIGN MOUNTING HOLES ARE TO BE 3/8" DIA.
3. BRACKET NUMBER WBR3 - WOOD POST BRACKET FOR THREE ROUTE SIGNS.
4. FOR BRACKETS WHICH REQUIRE MODIFICATION ADD AN "A" TO THE BRACKET NUMBER. EXAMPLE WBR3-1A.
5. DRAWING NOT TO SCALE.



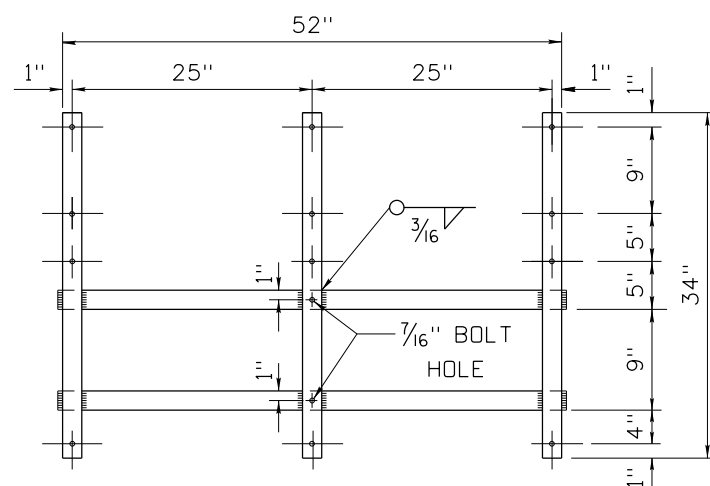
WBR3-2

BRACKET WEIGHT = 30.88 LBS

BRACKET FOR WOOD POST WITH THREE ROUTE SIGNS AND THREE DIRECTIONAL ARROW SIGNS



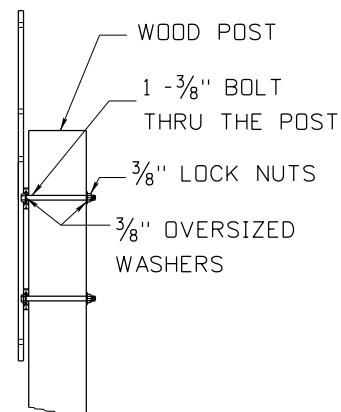
SIDE VIEW



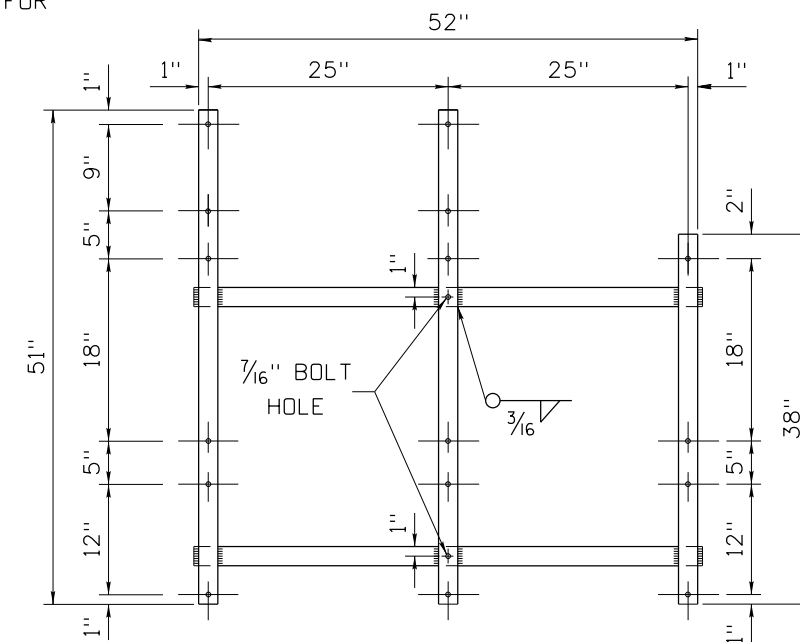
WBR3-3

BRACKET WEIGHT = 29.18 LBS

BRACKET FOR WOOD POST WITH THREE ROUTE SIGNS AND THREE DIRECTION SIGNS



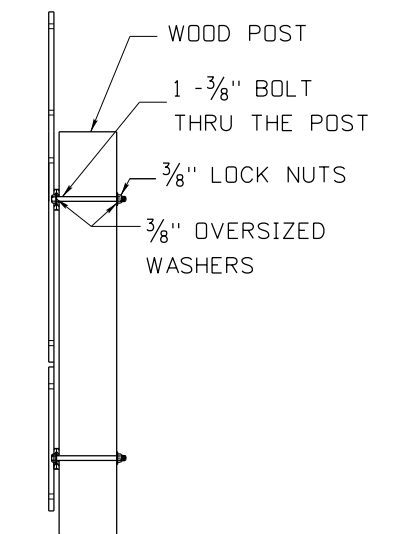
SIDE VIEW



WBR3-1A

BRACKET WEIGHT = 34.57 LBS

EXAMPLE MODIFIED BRACKET BRACKET FOR WOOD POST WITH THREE ROUTE SIGNS, THREE DIRECTION SIGNS, AND THREE DIRECTIONAL ARROWS



SIDE VIEW

REVISIONS			
NO.	DATE	BY	DESCRIPTION

DESIGNED	
DESIGN CHECKED	
DETAILED	
DRAWING CHECKED	

SCALES SHOWN ARE FOR 11" X 17" PRINTS ONLY

CADD FILE NAME  
td57\_0318.dgn

DRAWING DATE:  

**IDAHO TRANSPORTATION DEPARTMENT**

PROJECT NO. td57

THE ABOVE BRACKET DETAILS MAY BE MODIFIED TO MEET THE PROJECT NEEDS.

WOOD POST THREE ROUTE SIGN BRACKET DETAILS

**English**

COUNTY  

KEY NUMBER  

SHEET  OF  

NOT APPROVED  
PRELIMINARY  
FOR CONSTRUCTION