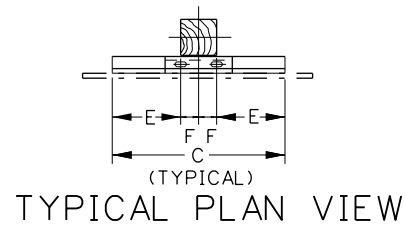
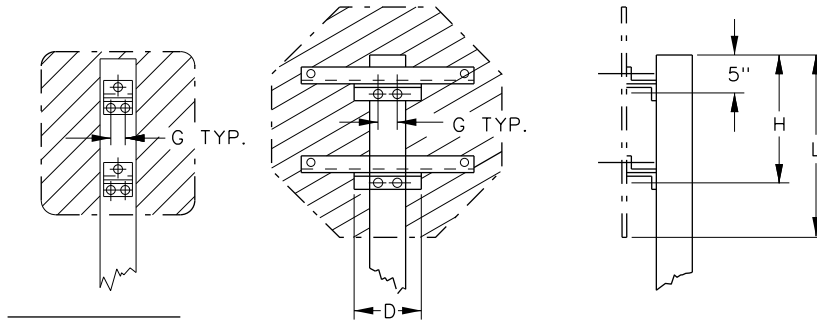


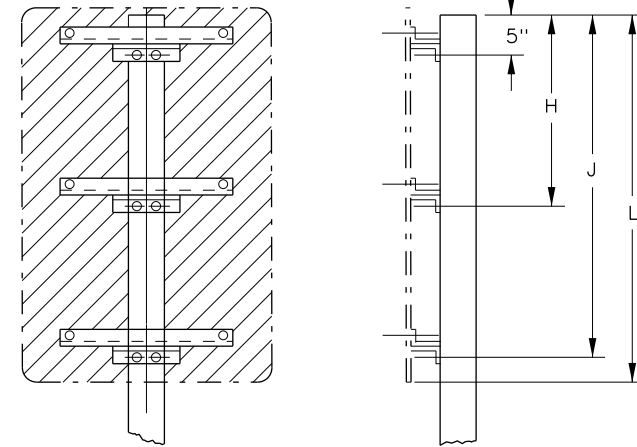
TYPICAL OF SIGNS MOUNTED WITH EIGHT BRACE ANGLES



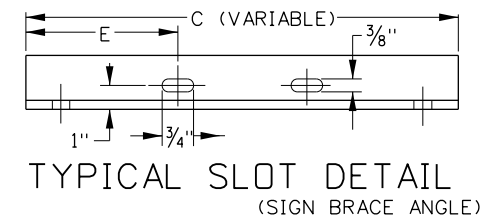
TYPICAL PLAN VIEW



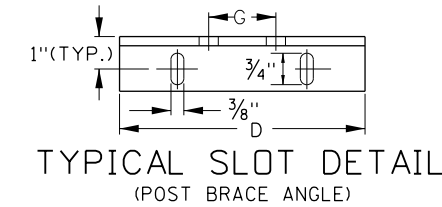
TYPICAL OF SIGNS MOUNTED WITH FOUR BRACE ANGLES



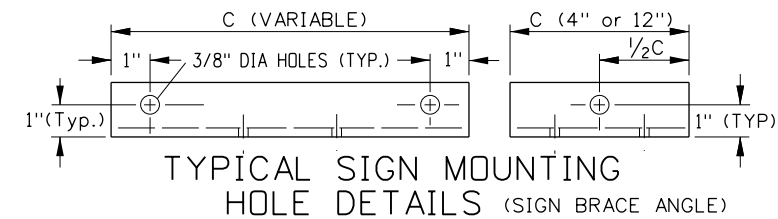
TYPICAL OF SIGN MOUNTED WITH SIX BRACE ANGLES



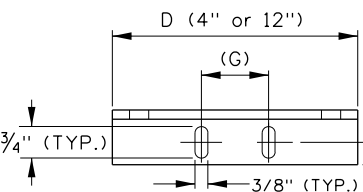
TYPICAL SLOT DETAIL (SIGN BRACE ANGLE)



TYPICAL SLOT DETAIL (POST BRACE ANGLE)

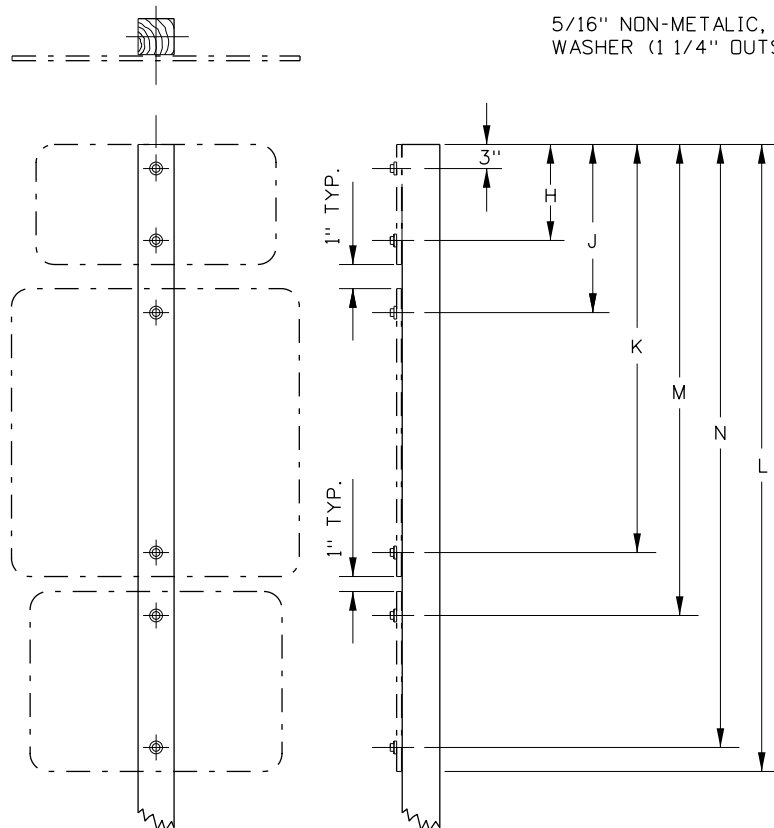


TYPICAL SIGN MOUNTING HOLE DETAILS (SIGN BRACE ANGLE)



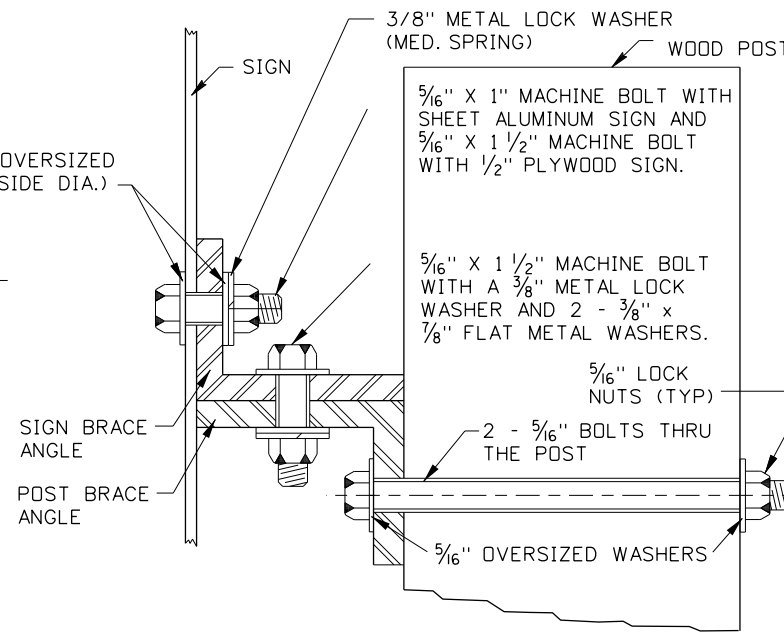
TYPICAL POST MOUNTING SLOT DETAILS (POST BRACE ANGLE)  
NOTE: FOR 4" X 6" WOOD SIGN POSTS (G) DISTANCE IS 1 5/8".

SIGNS MOUNTED w/o BRACE ANGLES



SIGNS MOUNTED w/o BRACE ANGLES

5/16" NON-METALIC, OVERSIZED WASHER (1 1/4" OUTSIDE DIA.)



BRACE ANGLE ATTACHMENT DETAIL

NOTES:

1. ALL BRACE ANGLES SHALL BE 1 3/4" x 1 3/4" x 1/4" @ 2.77 LBS/FT.
2. SIGN BRACE ANGLES 4" OR 12" IN LENGTH SHALL HAVE ONE SIGN MOUNTING HOLE ONLY.
3. SIGNS LESS THAN 36" x 36" MAY REQUIRE BRACE ANGLES.
4. DRAWING NOT TO SCALE.

BRACE ANGLE SPECIFICATIONS

SIGN DESCRIPTION	SIGN NO.	SIGN SIZE WDTX.HGT.	C	D	E	F	G	H	J	K	TOTAL WT. OF BRACE ANGLE	L
WARNING SIGNS		48" DIAMOND	42"	12"	16"	5"	3"	25"	-	-	24.93LB'S	47"
		36" DIAMOND	26"	12"	8"	5"	3"	21"	-	-	17.54LB'S	36 1/2"
STOP	R1-1	48" x 48"	42"	12"	16"	5"	3"	25"	-	-	24.93LB'S	37"
STOP	R1-1	36" x 36"	26"	12"	8"	5"	3"	21"	-	-	17.54LB'S	29"
SPEED LIMIT	R2-1	36" x 48"	32"	12"	11"	5"	3"	25"	-	-	20.31LB'S	48"
SPEED LIMIT	R2-1	48" x 60"	32"	12"	11"	5"	3"	32"	59"	-	30.47LB'S	60"
DO NOT PASS	R4-1	36" x 48"	32"	12"	11"	5"	3"	47"	-	-	20.31LB'S	48"
PASS WITH CARE	R4-2	36" x 48"	32"	12"	11"	5"	3"	47"	-	-	20.31LB'S	48"
KEEP RIGHT	R4-7	48" x 60"	32"	12"	11"	5"	3"	32"	59"	-	30.47LB'S	60"
DO NOT ENTER	R5-1	36" x 36"	32"	4"	14 3/4"	1 1/4"	3"	35"	-	-	16.61LB'S	36"
EMERGENCY STOP	R8-7	48" x 36"	32"	12"	11"	5"	3"	35"	-	-	20.31LB'S	36"
TURN ARROW	W1-6	48" x 24"	32"	12"	11"	5"	3"	23"	-	-	20.31LB'S	24"
CURVE & ADVISORY		48" DIAMOND	42"	12"	16"	5"	3"	25"	-	-		
SPEED ASSEMBLY	W13-1P	24" x 24"	4"	4"	3/4"	1 1/4"	1 5/8"	-	53"	62"	32.32LB'S	53"

SIGN DESCRIPTION	SIGN NO.	SIGN SIZE WDTX.HGT.	H	J	K	M	N	L
STOP	R1-1	30" x 30"	27"	-	-	-	-	30"
SPEED LIMIT	R2-1	24" x 30"	27"	-	-	-	-	30"
DO NOT PASS	R4-1	24" x 30"	27"	-	-	-	-	30"
PASS WITH CARE	R4-2	24" x 30"	27"	-	-	-	-	30"
KEEP RIGHT	R4-7	24" x 30"	27"	-	-	-	-	30"
DO NOT ENTER	R5-1	30" x 30"	27"	-	-	-	-	30"
ONE WAY	R6-1	36" x 12"	6"	-	-	-	-	12"
WRONG WAY	R5-1a	36" x 24"	21"	-	-	-	-	24"
CONFIRMING ROUTE SIGN	M1-1 THRU M1-5	24" x 24"	21"	-	-	-	-	24"
CARDINAL DIRECTION SIGN ASSEMBLY	M3-1 THRU M3-4	24" x 12"	10 1/2"	-	-	-	-	37"
	RTE. SIGN	24" x 24"	-	16"	34"	-	-	
TRAIL BLAZER ASSEMBLY	M4-5	24" x 12"	10 1/2"	-	-	-	-	
	RTE. SIGN	24" x 24"	-	16"	34"	-	-	53"
	ARROW	21" x 15"	-	-	-	39 1/2"	51 1/2"	

REVISIONS			
NO.	DATE	BY	DESCRIPTION

DESIGNED	
DESIGN CHECKED	
DETAILED	
DRAWING CHECKED	

SCALES SHOWN ARE FOR 11" X 17" PRINTS ONLY

CADD FILE NAME: td58\_0917.dgn

DRAWING DATE:  

IDAHO TRANSPORTATION DEPARTMENT

PROJECT NO.  

td58

WOOD SIGN POST BRACE ANGLE AND SPACING DETAILS

English

COUNTY  

KEY NUMBER  

SHEET OF  

NOT APPROVED  
PRELIMINARY  
FOR CONSTRUCTION