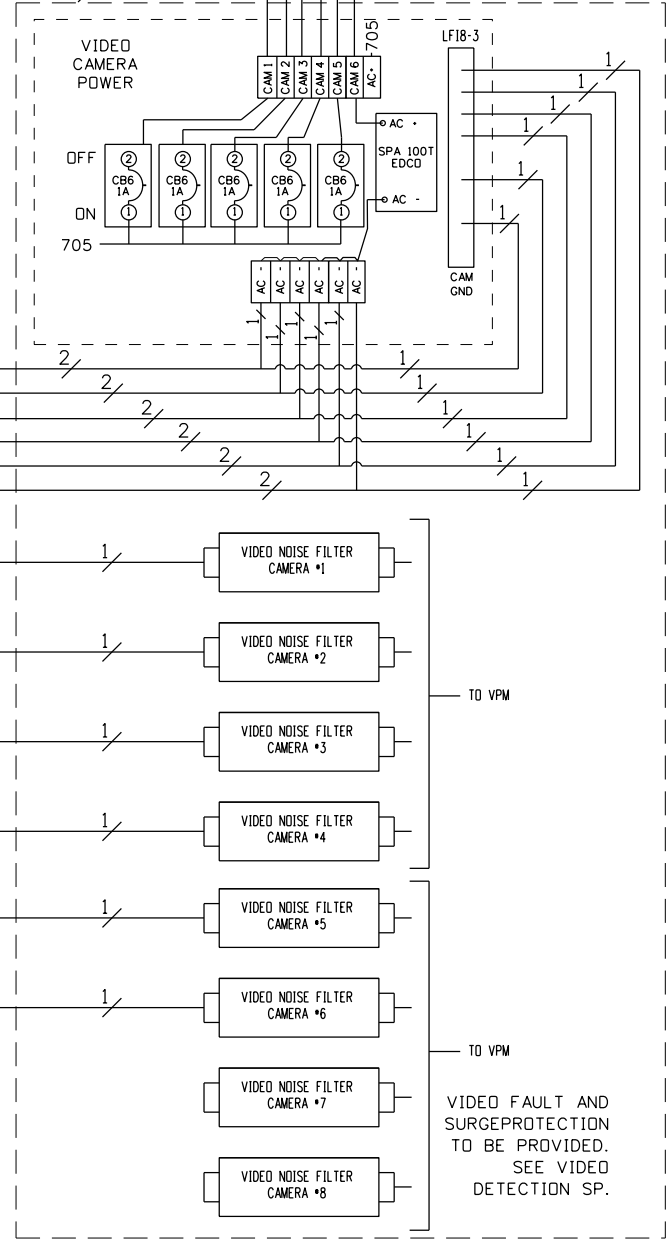


- NOTES:**
1. USE 2" PC FROM EACH SIGNAL SIZE "PGC" JUNCTION BOX TO EACH SIGNAL POLE BASE.
  2. ALL NON-METALLIC RACEWAYS SHALL HAVE A #8 THWN GROUND CONDUCTOR.
  3. SEE SIGNAL INTERSECTION PLAN SHEET FOR LOCATION OF JUNCTION BOXES.
  4. VIDEO DETECTION CABLE SHALL BE TO THE MANUFACTURE'S SPECIFICATIONS. LEAVE 10' OF SPARE WIRE AT THE CABINET AND AT THE CAMERA LOCATIONS.

SYMBOLGY CHART	
	- Indicates multi-conductors or cable assemblies. (IMSA 19-1 or 20-1)
	- Indicates individual conductors or conductor breakout from cable or bundle.
	- Denotes number of conductors and/or cable(s) per conduit.
	- Denotes conduit size and type.



ORIGINAL STORED AT: ITD, Headquarters 3311 West State Boise, Idaho

REVISIONS			
NO.	DATE	BY	DESCRIPTION

DESIGNED	SCALES SHOWN ARE FOR 11" X 17" PRINTS ONLY
DESIGN CHECKED	CADD FILE NAME td91_1018.dgn
DETAILED	DRAWING DATE:
DRAWING CHECKED	

**IDAHO TRANSPORTATION DEPARTMENT**



PROJECT NO. VIDEO DET. FIELD WIRING DIAGRAM

td91  
FIVE OR MORE CAMERAS WITHOUT EMERGENCY VEHICLE PRE-EMPT CONTROLLER CABINET LOCATED IN UPPER RIGHT QUADRANT

**English**  
COUNTY  
KEY NUMBER  
SHEET OF

NOT APPROVED  
PRELIMINARY  
CONSTRUCTION