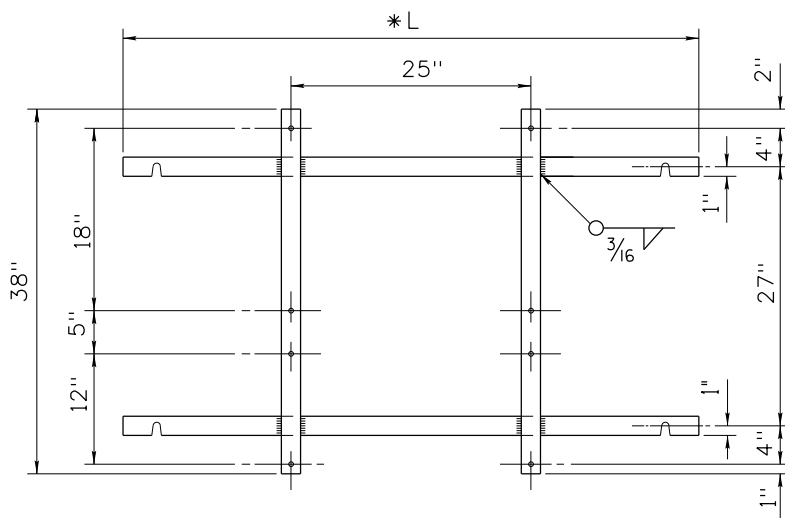
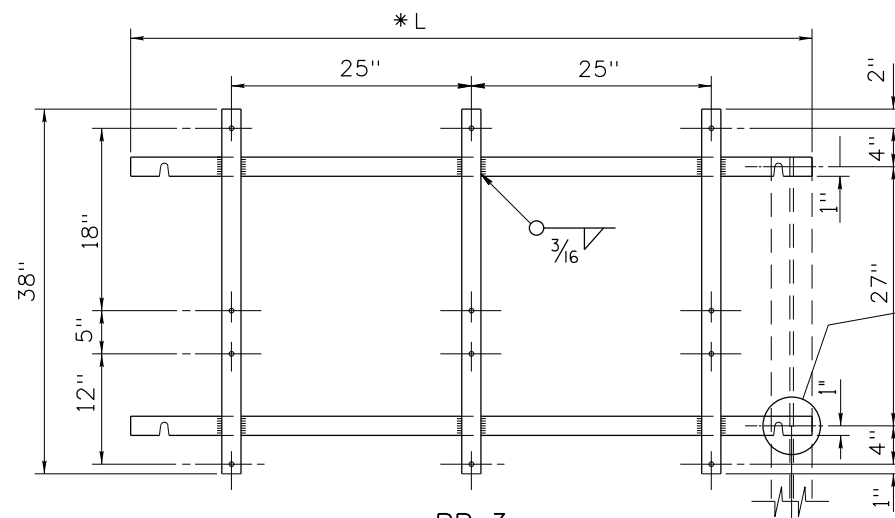


BR-1

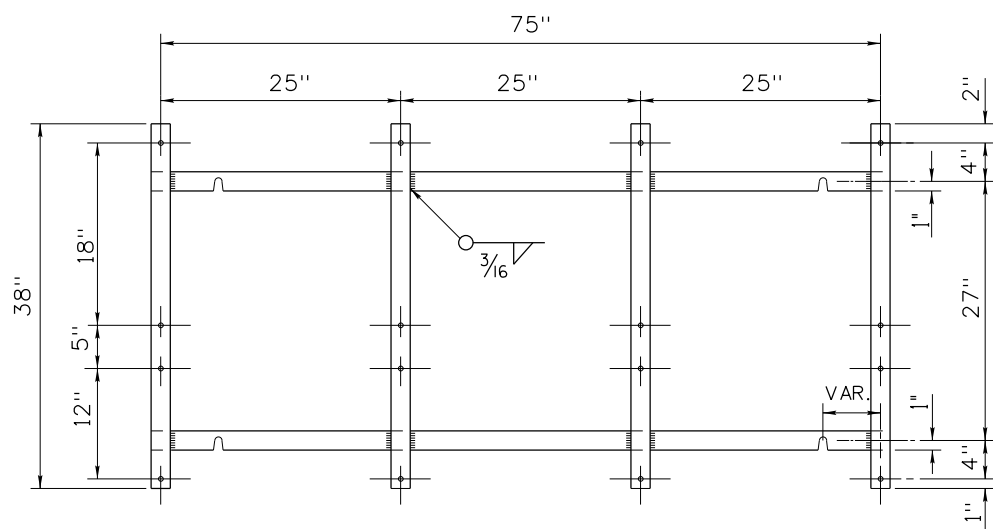


BR-2



BR-3

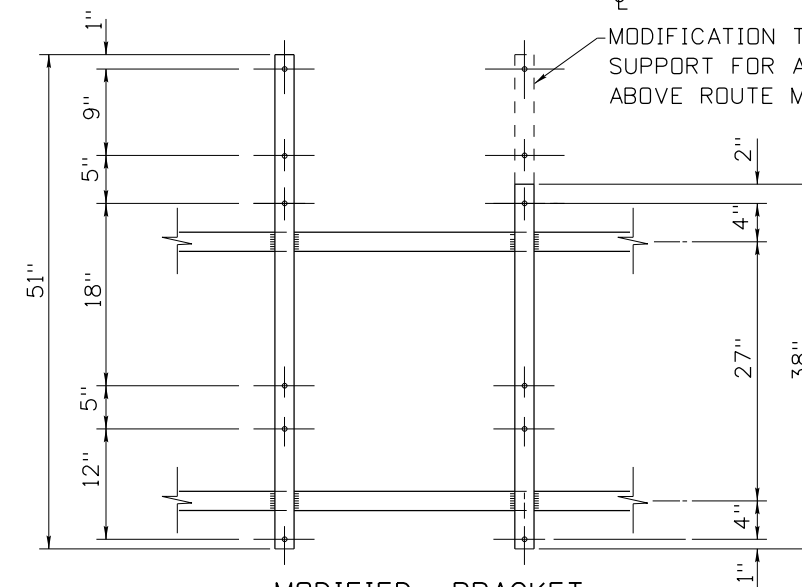
DETAIL OF MOUNTING SLOT TYPICAL



BR-4

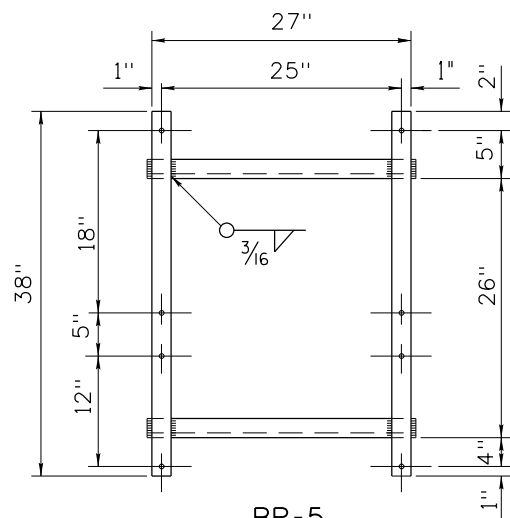
NOTES:

- BRACKETS BR-1 THRU BR-4 MOUNT ON TYPE A POSTS.
- BRACKETS BR-5 THRU BR-7 MOUNT ON TYPE B POSTS.
- BRACKET MATERIALS:
 $1/4$ " x 2" BAR AT 1.70 LBS/FT. FOR ALL VERTICAL SUPPORTS AND FOR HORIZONTAL MEMBERS, BR-1 THRU BR-4.
 $1 \ 3/4$ " x $1 \ 3/4$ " x $1/4$ " ANGLE AT 2.77 LBS/FT. FOR HORIZONTAL MEMBERS, BR-5 THRU BR-7.
- ALL SIGN MOUNTING HOLES SHALL BE $3/8$ " DIA.
- BRACKETS SHALL BE ATTACHED TO THE POST BY $5/16$ " DIA. HEX HEAD BOLTS & NUTS WITH TWO FLAT WASHERS AND ONE LOCK WASHER.
- * L BRACKET LENGTH FOR BR-1 THRU BR-3 = ϕ TO ϕ POST SPACING PLUS ONE POST WIDTH.

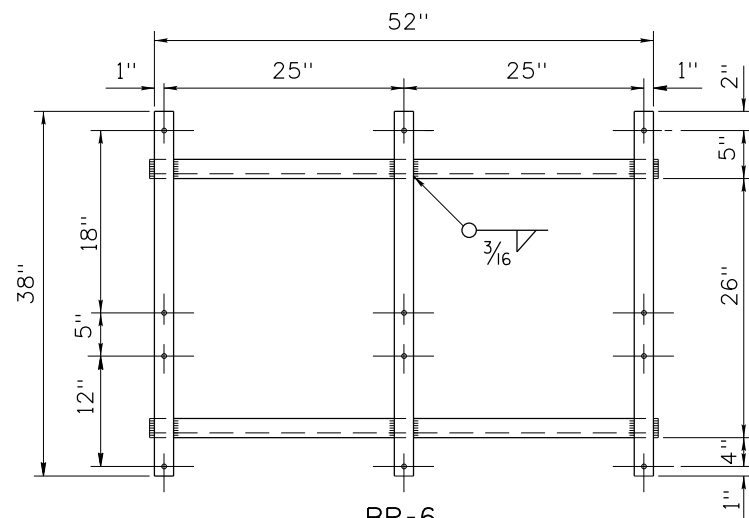


MODIFIED BRACKET (TYPICAL FOR ALL BRACKETS)

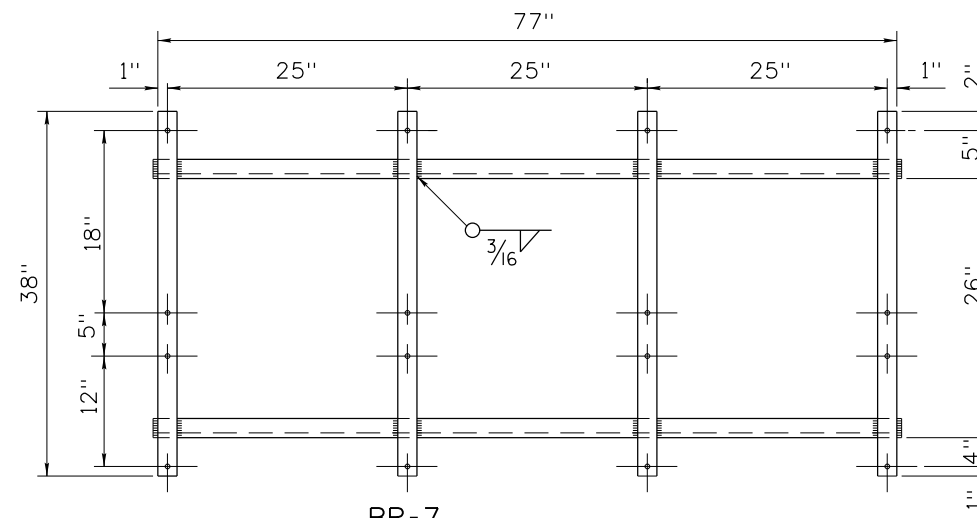
NOTE: FOR BRACKETS THAT REQUIRE THE ABOVE MODIFICATION ADD AN "A" TO THE BRACKET NUMBER: EXAMPLE BR-3A



BR-5



BR-6



BR-7

TYP. MOUNTING BR-5, BR-6, BR-7

REVISIONS								
NO.	DATE	BY	NO.	DATE	BY	NO.	DATE	BY
1	12-01	NQB						
2	12-13	HEB						

SCALES SHOWN ARE FOR 11" X 17" PRINTS ONLY
 CADD FILE NAME: 616-15_1213.dgn
 DRAWING DATE: AUGUST, 1994

IDAHO TRANSPORTATION DEPARTMENT



BOISE IDAHO

ORIGINAL SIGNED BY: RYAN LANCASTER for DESIGN/TRAFFIC SERVICES ENGINEER

STANDARD DRAWING
ROUTE MARKER BRACKET DETAILS

ORIGINAL STORED AT: ITD, Headquarters 3311 West State Boise, Idaho

English

STANDARD DRAWING NO. **616-15**

SHEET 1 OF 1

