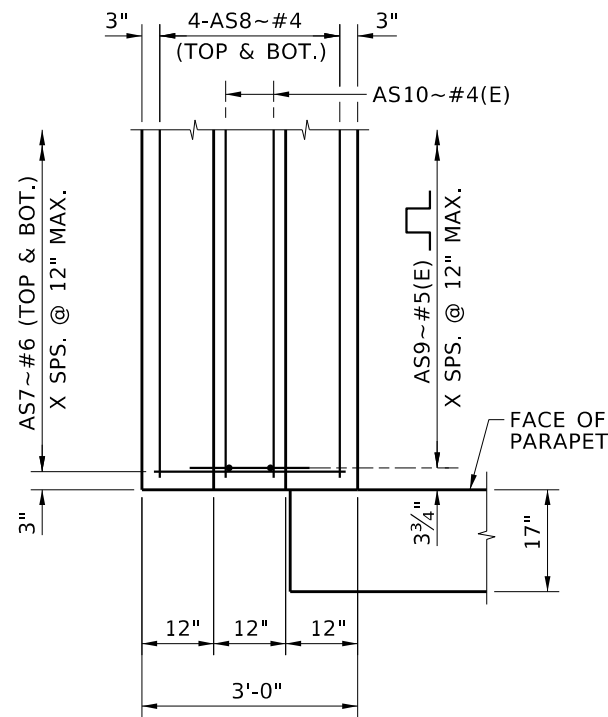
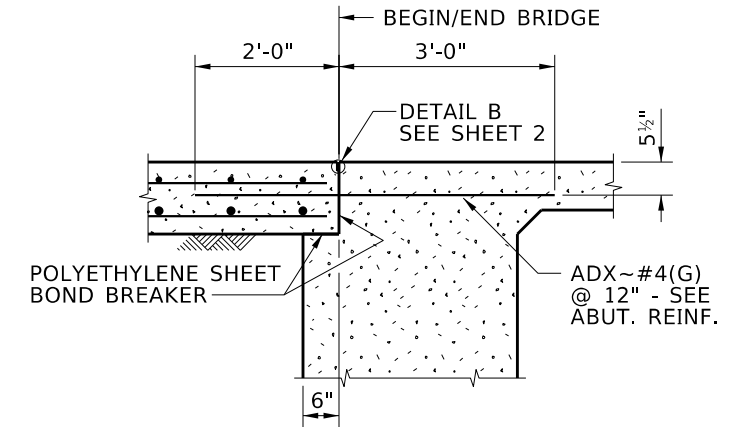


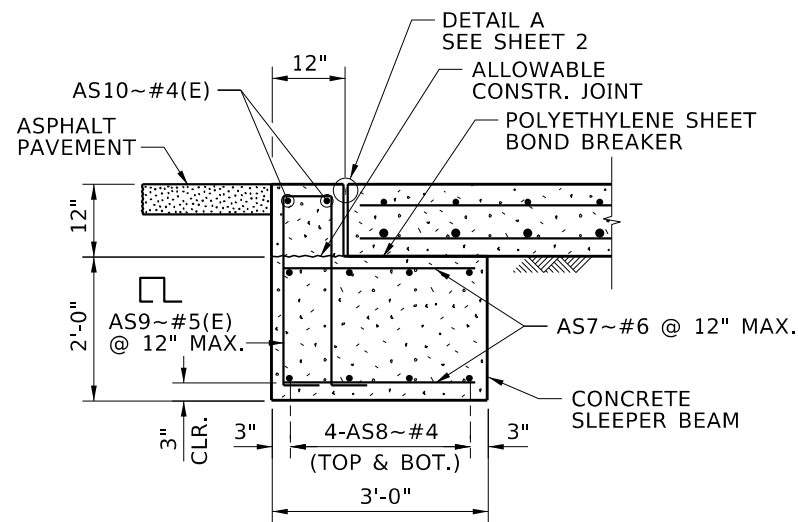
PLAN



PLAN

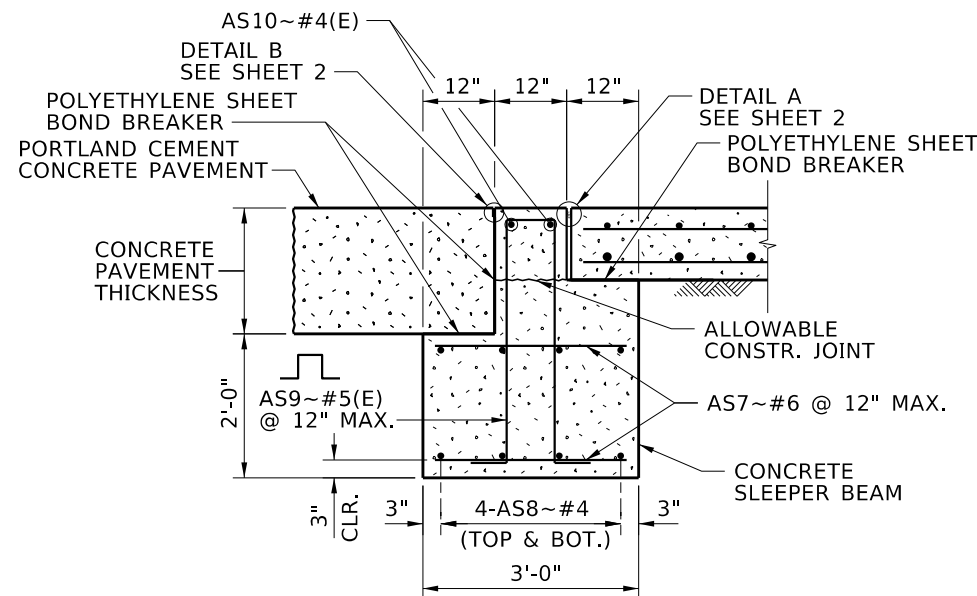


NO ABUTMENT JOINT DETAIL  
3/8" = 1'-0"



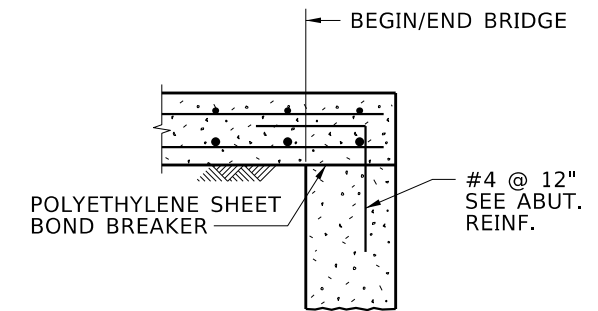
ELEVATION

CONCRETE SLEEPER BEAM  
ASPHALT PAVEMENT  
3/8" = 1'-0"



ELEVATION

CONCRETE SLEEPER BEAM  
CONCRETE PAVEMENT  
3/8" = 1'-0"



JOINT AT ABUTMENT DETAIL  
3/8" = 1'-0"

REVISIONS			
NO.	DATE	BY	DESCRIPTION

DESIGNED
DESIGN CHECKED
DETAILED
DWG. CHECKED
CORRECTIONS

SCALES SHOWN ARE FOR 11" X 17" PRINTS ONLY
CADD FILE NAME
Standards\Bridges Standard Drawings\B02_ID.DGN
DRAWING DATE: OCT 2023

**IDAHO TRANSPORTATION DEPARTMENT**

YOUR Safety → YOUR Mobility → YOUR Economic Opportunity

APPROVED BY: BRIDGE ENGINEER **MICHAEL T. JOHNSON** DATE: \_\_\_\_\_

**ENGLISH**

PROJECT NO. \_\_\_\_\_

APPROACH SLAB DETAILS - SHEET 3

BRIDGE LRFD DESIGN MANUAL, B2.1D

BRIDGE PLANS	
BRIDGE KEY NO.	
COUNTY	KEY NO.
BRIDGE DWG. NO.	SHEET OF