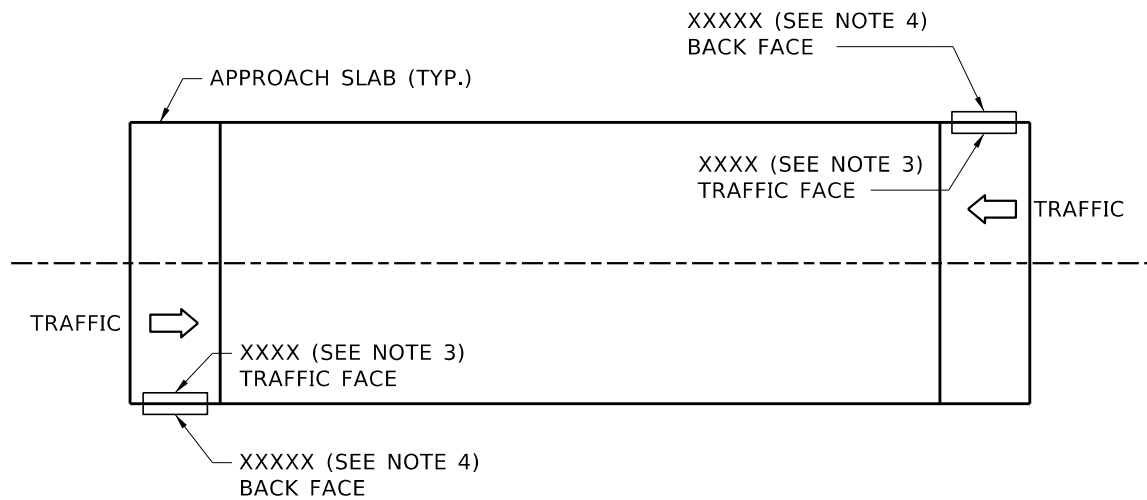
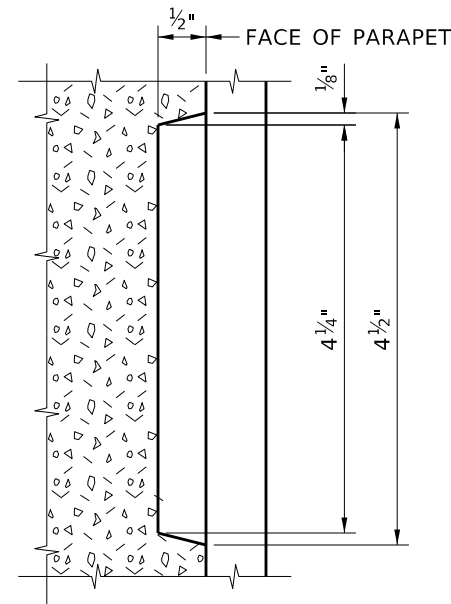


THE NUMBER "9" IS NOT SHOWN, BUT IS SIMILAR TO NUMBER "6".

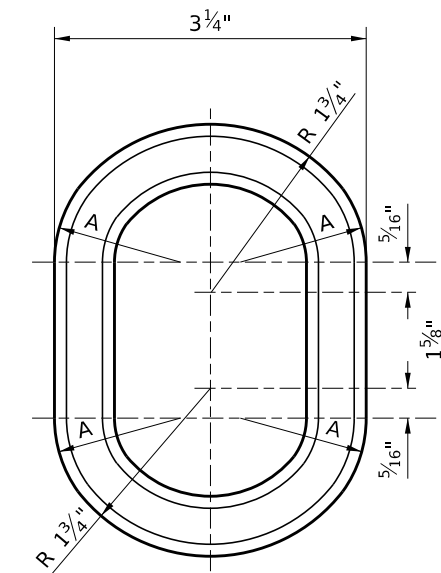
A = RADIUS TO SUIT



DATE PANEL LOCATION
NTS
(SEE PARAPET SHEET FOR DETAILS)



END VIEW OF NUMERALS
SHOWING ATTACHMENT TO FORMS
NTS



GENERAL NOTES

1. RECESS NUMBERS INTO THE DATE PANEL.
2. DATE PANEL IS INCIDENTAL TO THE PARAPET PAY ITEM.
3. PLACE THE 4 DIGIT YEAR CONSTRUCTION COMPLETED ON TRAFFIC FACE.
4. PLACE THE 5 DIGIT BRIDGE KEY NUMBER ON BACK FACE.
5. FIELD ADJUST LOCATION OF DATE PANEL ON BACK OF PARAPETS WITH PROTECTIVE FENCE.

REVISIONS				DESIGNED	SCALES SHOWN ARE FOR 11" X 17" PRINTS ONLY	IDAHO TRANSPORTATION DEPARTMENT	ENGLISH	DATE PANEL	BRIDGE PLANS	
NO.	DATE	BY	DESCRIPTION	DESIGN CHECKED					PROJECT NO.	BRIDGE KEY NO.
▲				DETAILED	CADD FILE NAME			BRIDGE LRFD DESIGN MANUAL, B13.7		
▲				DWG. CHECKED	Standards/Bridge Standard Drawings B13_7.DGN				YOUR Safety→YOUR Mobility→YOUR Economic Opportunity	
▲				CORRECTIONS	DRAWING DATE: OCT 2023	APPROVED BY: BRIDGE ENGINEER MICHAEL T. JOHNSON DATE:			BRIDGE DWG. NO.	SHEET OF