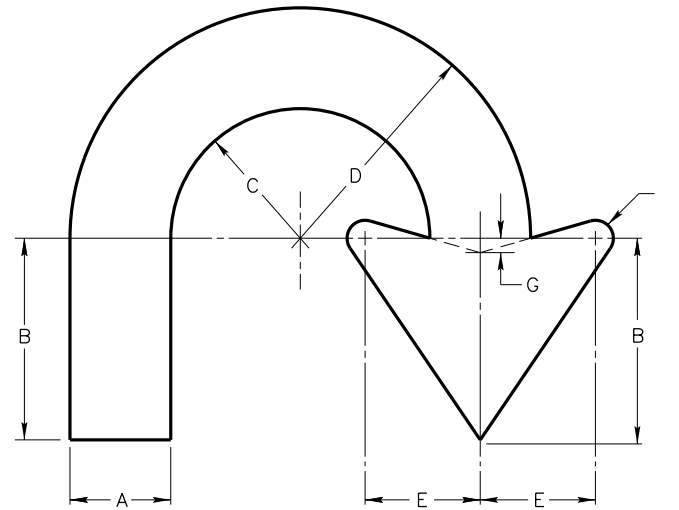
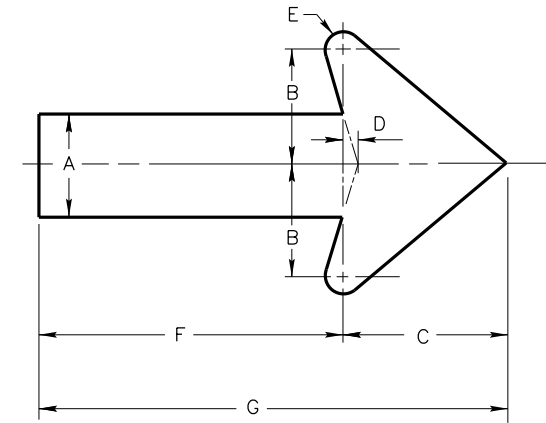


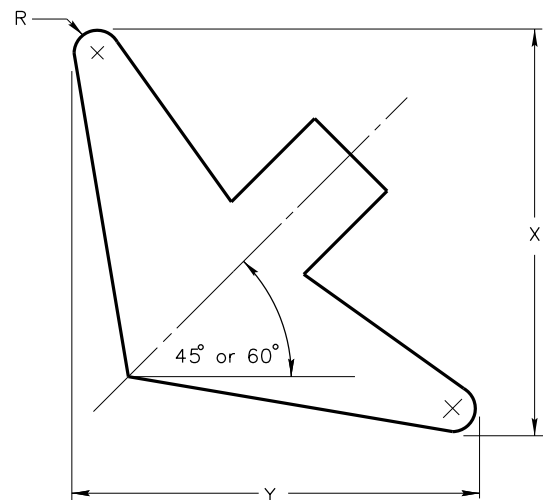
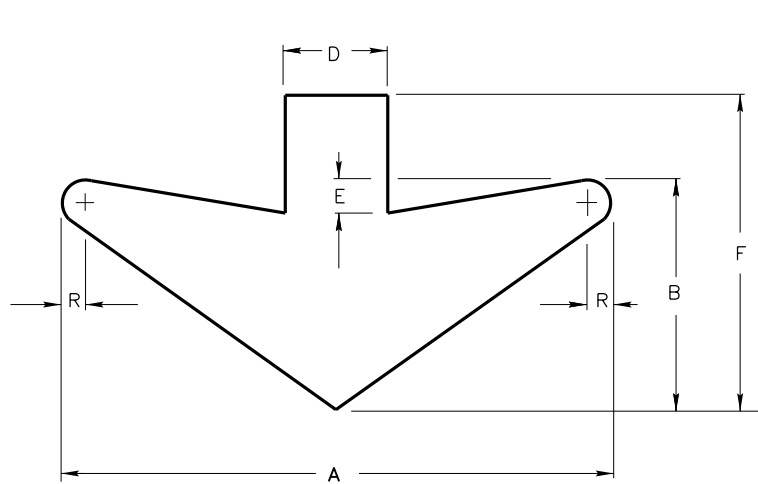
"A" AND "B" ARROWS



"D" ARROWS



"E" ARROWS Δ



"C" ARROWS

ARROW NO.	A	B	C	D	E	F	G
D-14	7"	14"	9"	16"	8"	1 1/4"	1"

ARROW NO.	A	B	C	D	E	F	G
E-1	2 1/4"	2 5/8"	4 1/2"	3/8"	7/16"	7 3/8"	11 7/8"
E-2	2 5/8"	3"	5 1/4"	3/8"	1/2"	9 3/8"	14 5/8"
E-3	3"	3 1/2"	6 1/8"	7/16"	9/16"	9 7/8"	16"
E-4	4 1/2"	5 3/16"	9 1/8"	1 1/16"	7/8"	21 3/4"	30 7/8"
E-5	5"	5 3/4"	10 1/8"	3/4"	1"	7 1/2"	17 5/8"
E-6	5"	5 3/4"	10 1/8"	3/4"	1"	12 1/2"	22 5/8"
E-7	5"	5 3/4"	10 1/8"	3/4"	1"	18 1/2"	28 5/8"
E-8	5 1/4"	6"	10 5/8"	13/16"	1 1/16"	23 1/2"	34 1/8"
E-9	5 1/4"	6"	10 5/8"	13/16"	1 1/16"	19 1/2"	30 1/8"
E-10	6 1/2"	7 1/2"	13 3/16"	1"	1 5/16"	26 1/2"	39 1/16"

INTERSTATE ARROWS

LETTER SIZE	NO. OF LINES OF LEGEND	ARROW NO.
4" CAP	1	B-1
6" CAP	2 OR MORE	A-1
8" UC & 6" LC	1	B-2
8" CAP	2 OR MORE	A-2
10" CAP	1	B-2
10" CAP	2 OR MORE	A-3
13 1/3" UC & 10" LC	1	B-3
12" CAP	2 OR MORE	A-3
15" CAP	1	B-4
16" UC & 12" LC	2 OR MORE	A-4
OVERHEAD	_____	C-1
13 1/3" UC & 10" LC	_____	
OVERHEAD	_____	C-2
16" UC & 12" LC	_____	

ARROW NO.	A	B	C	D	E	F	R	30°		45°		60°	
								X	Y	X	Y	X	Y
A-1	11 3/8"	8 3/4"	3 1/8"	3 7/8"	7/8"	18 3/8"	5/8"	11 3/4"	17"	14 1/2"	14 1/2"	17"	12"
A-2	15 1/8"	11 9/16"	3 3/4"	5"	1 5/16"	24 1/4"	13/16"	15 5/8"	22 1/4"	19 1/8"	19 1/8"	22 3/8"	15 5/8"
A-3	18 1/4"	14"	4 1/2"	6"	1 1/2"	29 1/4"	3/4"	18 1/2"	27"	23"	23"	27"	19"
A-4	22 1/4"	17"	5 3/8"	7 1/8"	1 3/4"	35 5/8"	1"	22 5/8"	32 3/4"	28"	28"	32 3/4"	22 3/4"
B-1	8 1/2"	5 7/16"	2 5/16"	2 15/16"	5/8"	10"	1/2"	7 1/2"	9 3/8"	8"	8"	9 1/8"	7 1/2"
B-2	14 1/4"	9 13/16"	3 3/8"	4 1/2"	1 5/16"	17 1/4"	3/4"	12 1/2"	16 1/4"	14"	14"	16 1/8"	12 3/4"
B-3	17 1/2"	11 3/4"	4 3/8"	5 5/8"	1 1/2"	20 1/4"	7/8"	15 1/2"	19 1/8"	16 5/8"	16 5/8"	19"	15 1/2"
B-4	21 7/8"	14 1/4"	5"	6 3/4"	1 3/4"	25"	1"	19 1/8"	23 1/2"	20 3/8"	20 3/8"	23 1/2"	19 1/4"
C-1	24"	12"	—	5"	2 1/4"	16 1/2"	3/4"	—	—	17 3/8"	17 3/8"	16 1/8"	21"
C-2	32"	16"	—	6 1/2"	3"	22"	1"	—	—	23 3/16"	23 3/16"	21 1/2"	21 7/8"

REVISIONS			
NO.	DATE	BY	DESCRIPTION
1	10-93	HEB	REVISED "E" ARROWS
2	09-07	NOB	REVISED TEXT & BORDER SHEET

DESIGNED	
DESIGN CHECKED	
DETAILED	
DRAWING CHECKED	

SCALES SHOWN ARE FOR 11" X 17" PRINTS ONLY

CADD FILE NAME
td54_0907.dgn

DRAWING DATE:
March, 1991

IDAHO
TRANSPORTATION
DEPARTMENT



PROJECT NO.

td-54

STANDARD ARROW DETAILS

English

COUNTY

KEY NUMBER

SHEET OF

NOT APPROVED
PRELIMINARY
FOR CONSTRUCTION