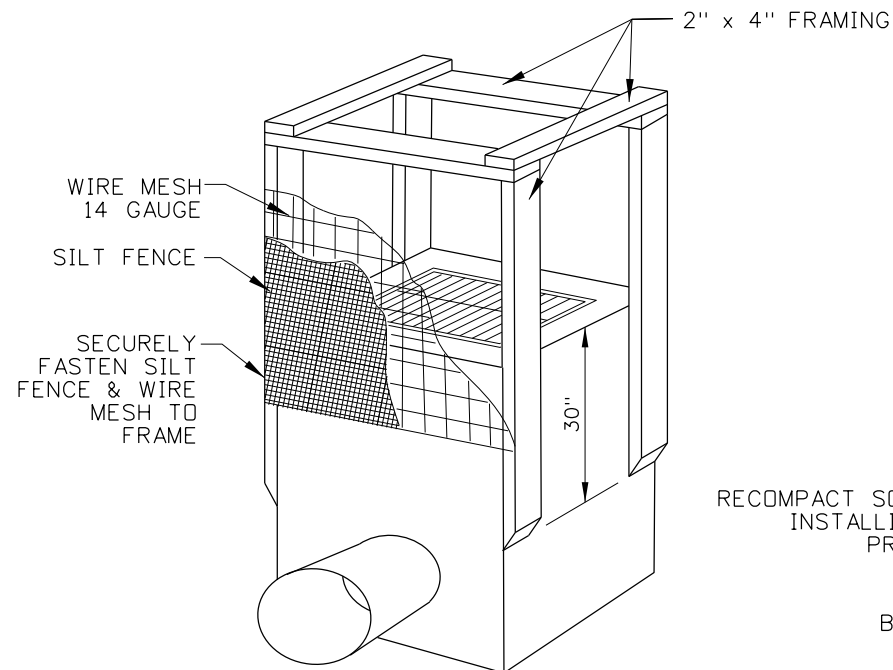
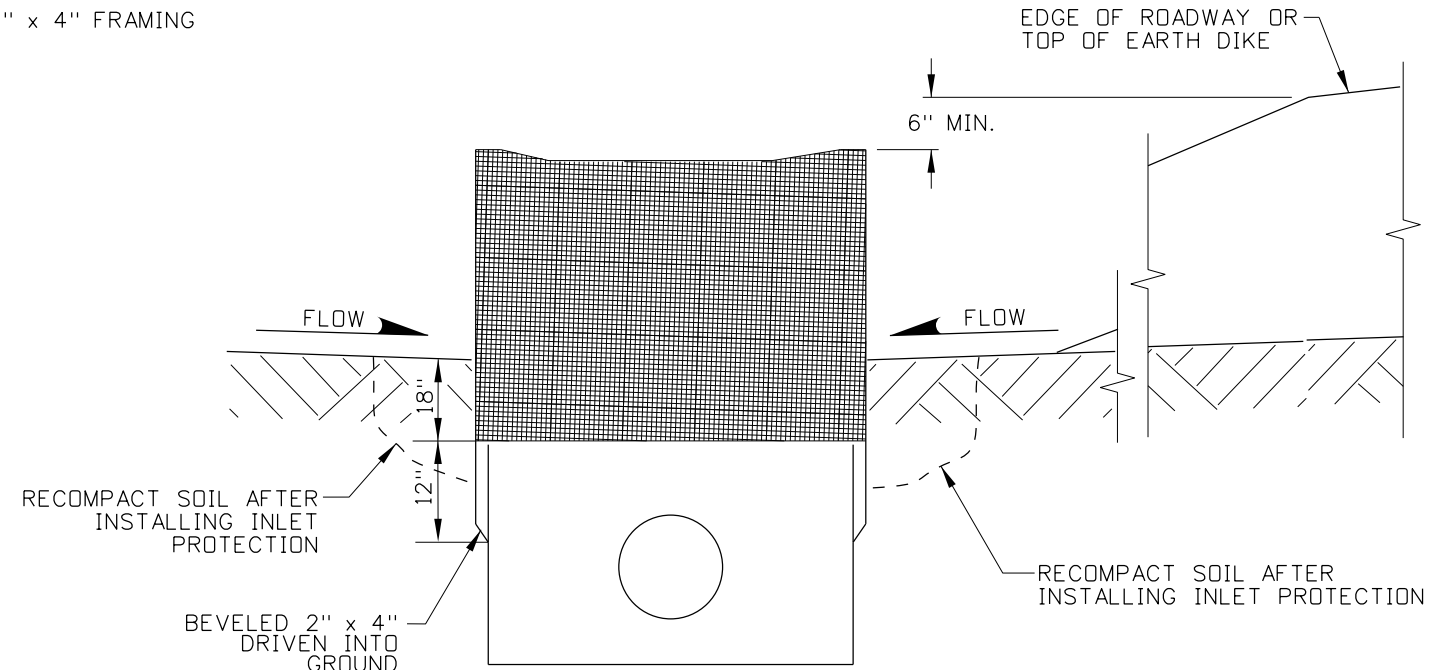


FIBER WATTLE FILTER

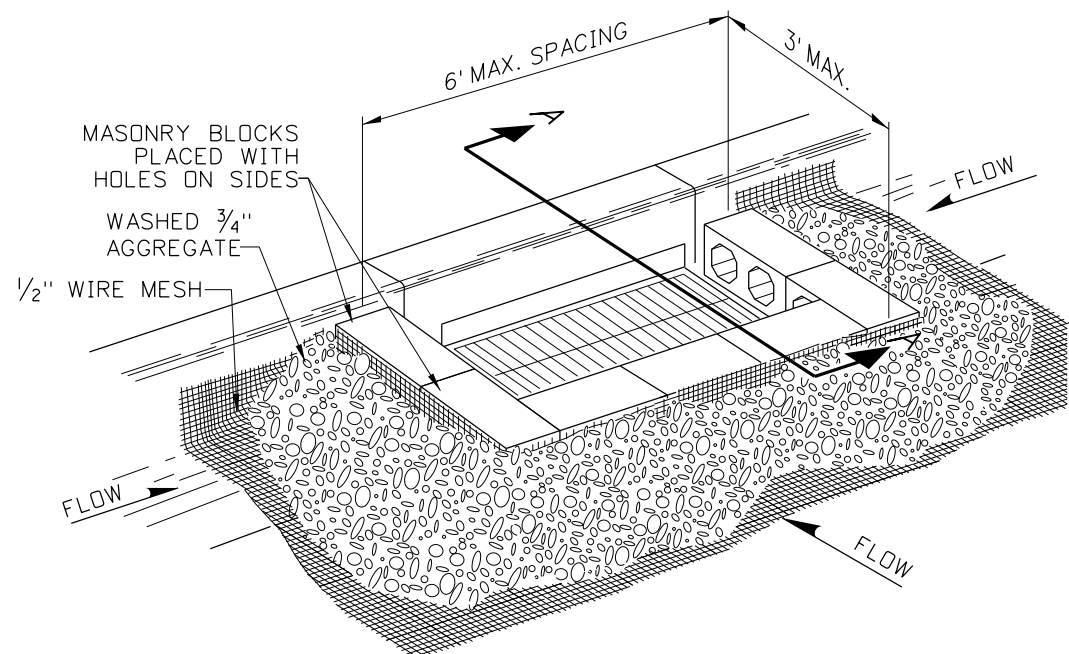


PERSPECTIVE VIEW

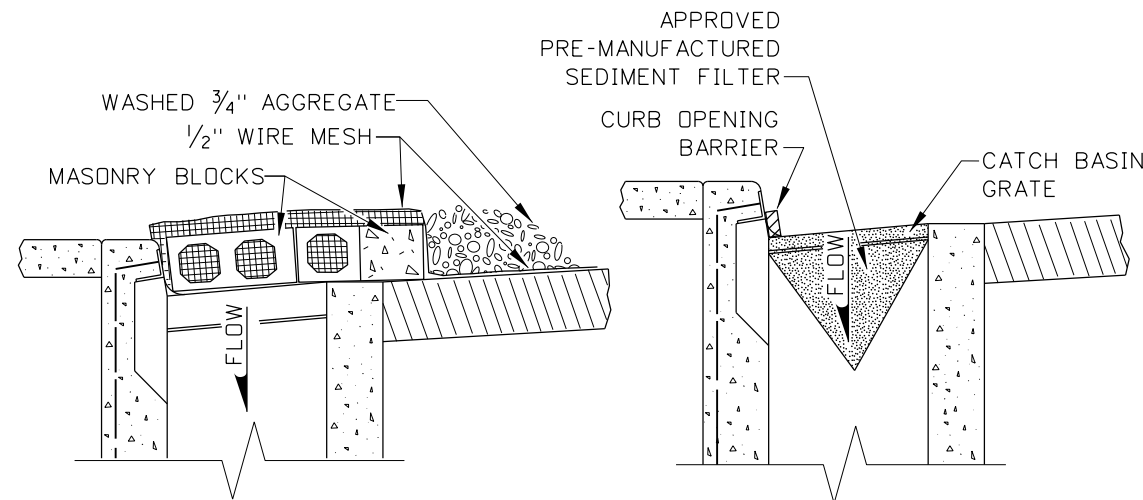


ELEVATION

FRAMED WIRE/FABRIC FILTER



GRAVEL AND WIRE MESH FILTER PERIMETER FILTER



SECTION A-A

PRE-MANUFACTURED SEDIMENT FILTER FOR INLET GRATE

NOTES

1. SEE THE GENERAL NOTES FOR TEMPORARY EROSION CONTROL STANDARD DRAWINGS ON 212-1.
2. REMOVE TRASH, DEBRIS, DUFF, AND MATERIALS THAT MAY INTERFERE WITH THE INLET OR CATCH BASIN PROTECTION FUNCTION PRIOR TO PLACEMENT AND THEREAFTER ON A DAILY BASIS OR AS NEEDED.
3. FIELD ADJUSTMENTS MAY BE NECESSARY TO ENSURE EFFECTIVENESS.
4. FRAMED WIRE/FABRIC FILTER AND FIBER WATTLE FILTERS ARE INTENDED TO BE USED ON ANY STRUCTURE NOT PRESENTLY SURROUNDED BY PAVEMENT.
5. GRAVEL AND WIRE MESH FILTER AND PRE-MANUFACTURED SEDIMENT FILTER INSTALLATIONS ARE INTENDED TO BE USED ON STRUCTURES SURROUNDED BY PAVEMENT WITH OR WITHOUT CURBS.
6. ENSURE THAT WATER DISCHARGING FROM THE INLET MEETS APPLICABLE WATER QUALITY STANDARDS.
7. NOT TO SCALE.

REVISIONS								
NO.	DATE	BY	NO.	DATE	BY	NO.	DATE	BY
1	10-10	KEH						
2	10-11	KEH						
3	01-13	RDL						

SCALES SHOWN ARE FOR 11" X 17" PRINTS ONLY
 CADD FILE NAME: 212-7_0213.dgn
 DRAWING DATE: JUNE, 1996

IDAHO TRANSPORTATION DEPARTMENT



BOISE IDAHO

ORIGINAL SIGNED BY: LOREN THOMAS
 HIGHWAYS PROGRAM OVERSIGHT ENGINEER

ORIGINAL SIGNED BY: TOM COLE
 CHIEF ENGINEER

STANDARD DRAWING
TEMPORARY EROSION AND SEDIMENT CONTROL INLET PROTECTION
 REQUIRES STD. DWG. 212-1

English
 STANDARD DRAWING NO.
212-7
 SHEET 1 OF 1

ORIGINAL STORED AT: ITD, Headquarters 3311 West State Boise, Idaho

ORIGINAL SIGNED BY:
 J. CALEB LAKEY
 DATE ORIGINAL SIGNED:
 FEBRUARY 1, 2013