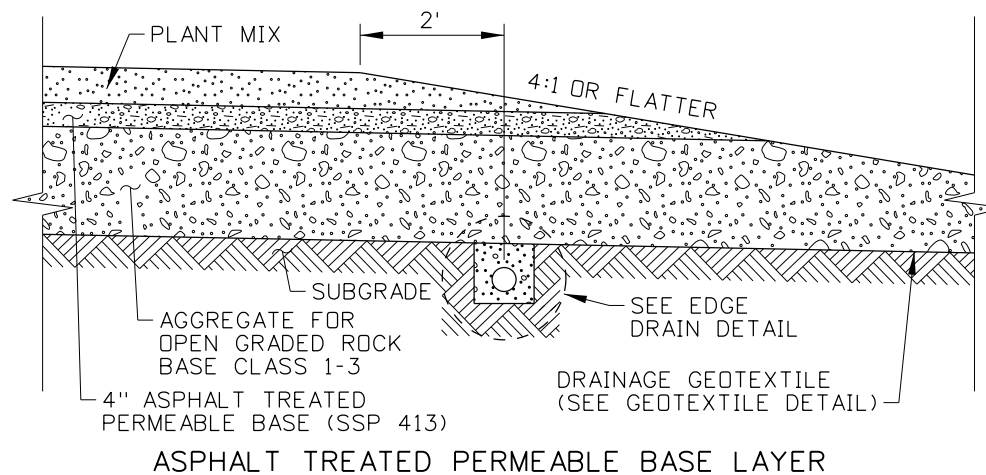
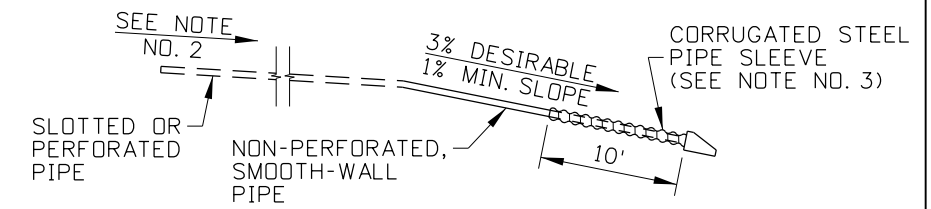


ROCK CAP

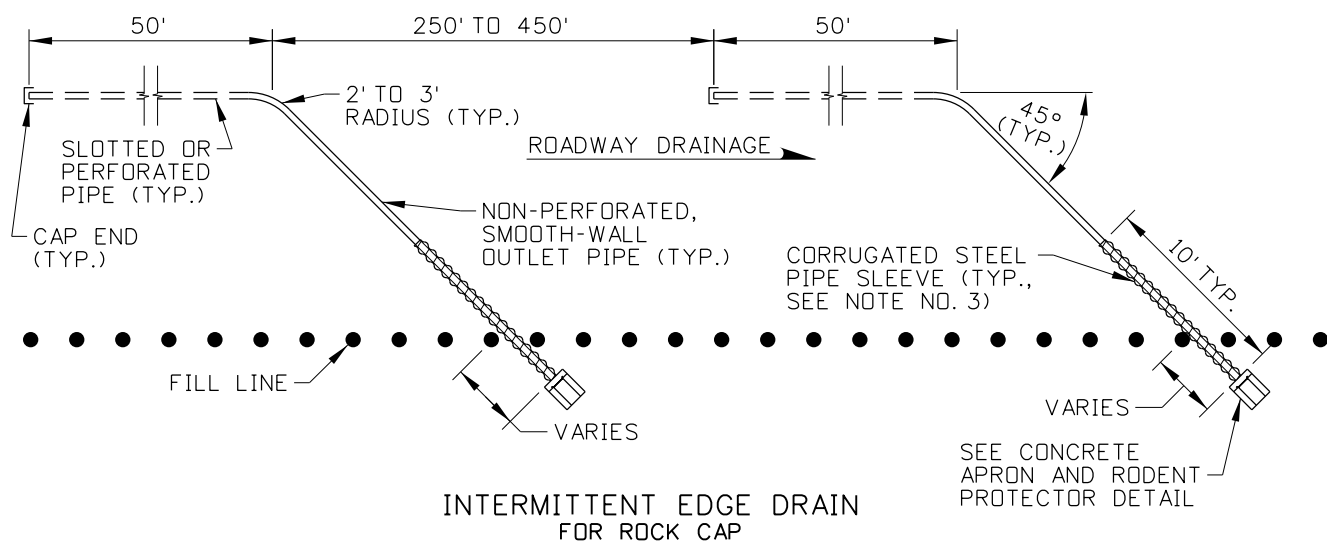


ASPHALT TREATED PERMEABLE BASE LAYER

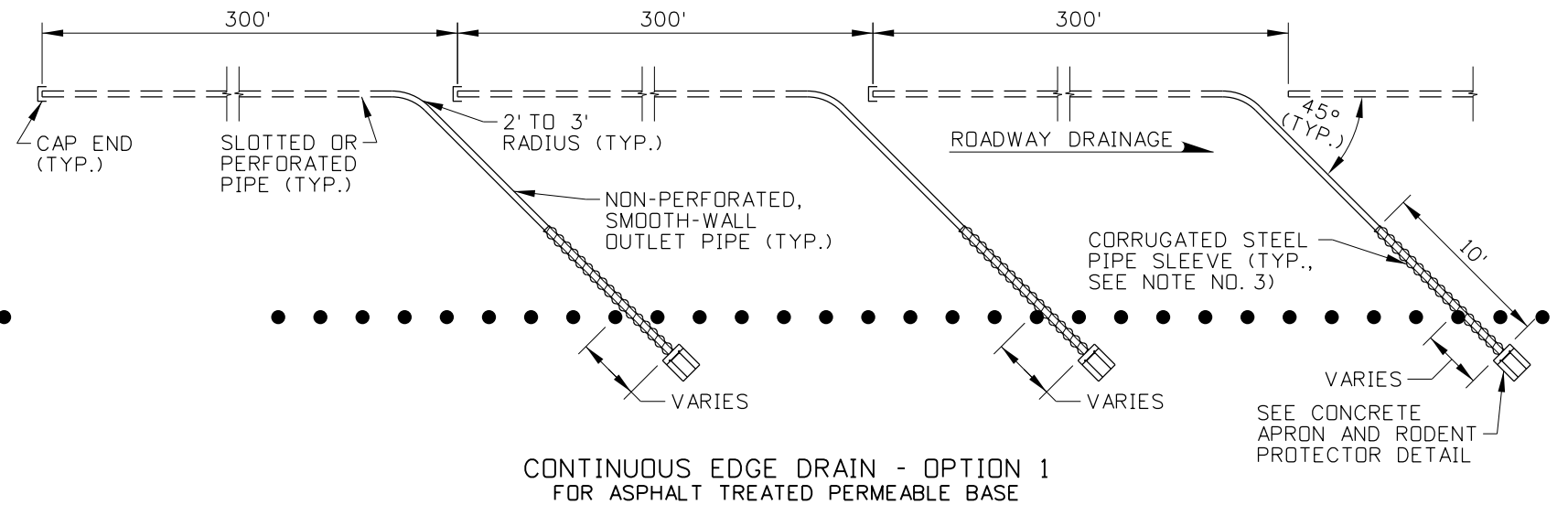


RURAL EDGE DRAIN PIPE PROFILE
(SEE NOTE NO. 5)

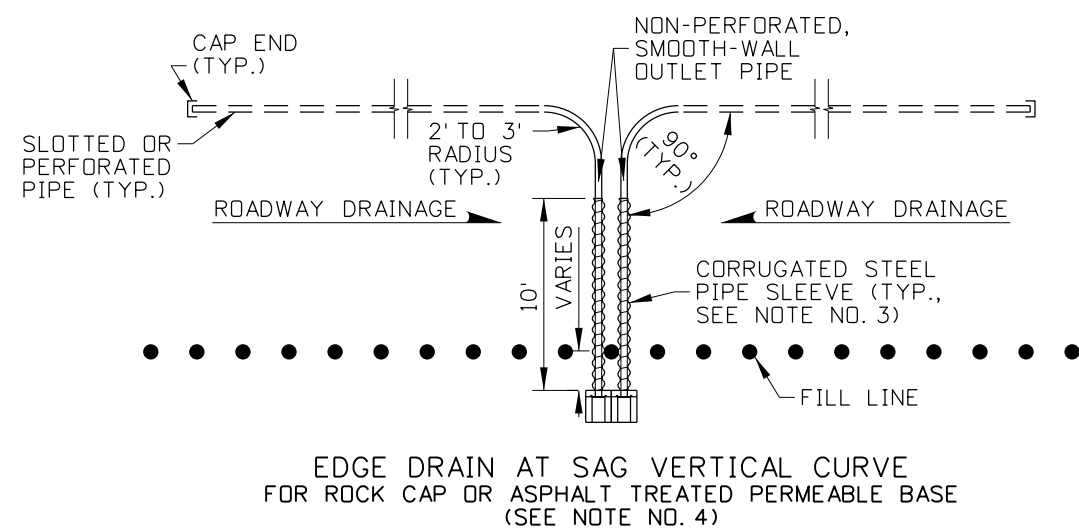
RURAL EDGE DRAIN PLACEMENT



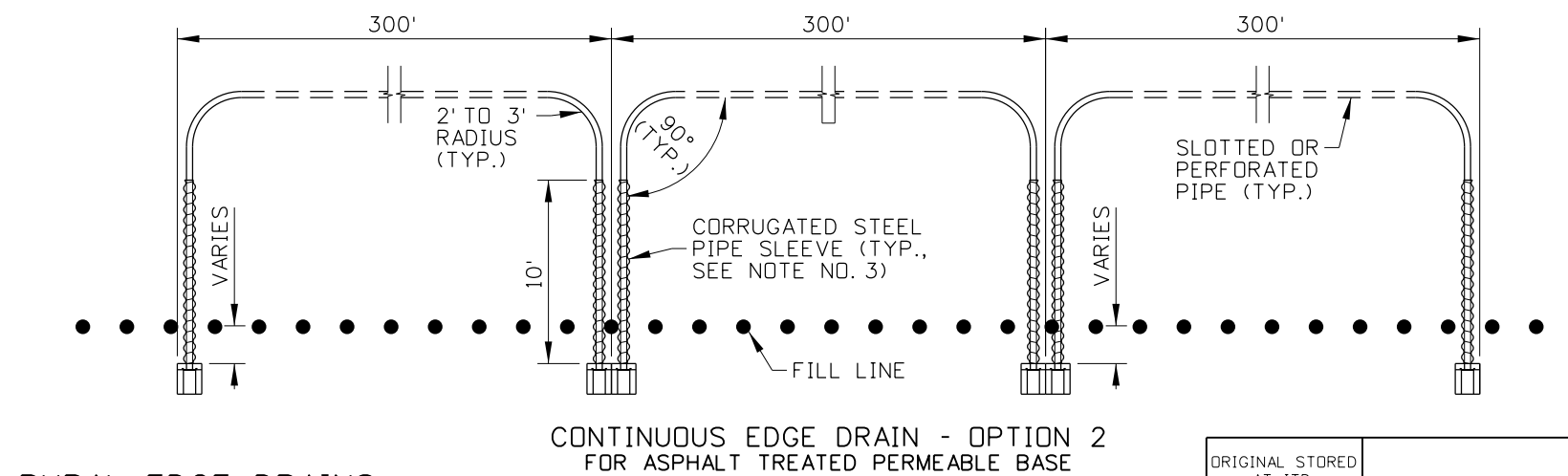
INTERMITTENT EDGE DRAIN FOR ROCK CAP



CONTINUOUS EDGE DRAIN - OPTION 1 FOR ASPHALT TREATED PERMEABLE BASE



EDGE DRAIN AT SAG VERTICAL CURVE FOR ROCK CAP OR ASPHALT TREATED PERMEABLE BASE (SEE NOTE NO. 4)



CONTINUOUS EDGE DRAIN - OPTION 2 FOR ASPHALT TREATED PERMEABLE BASE

RURAL EDGE DRAINS
PLAN VIEW

ORIGINAL STORED AT: ITD, Headquarters 3311 West State Boise, Idaho

ORIGINAL SIGNED BY: KAREN A. MERRICK DATE MAY 7, 2014

REVISIONS							
NO.	DATE	BY	NO.	DATE	BY	NO.	DATE

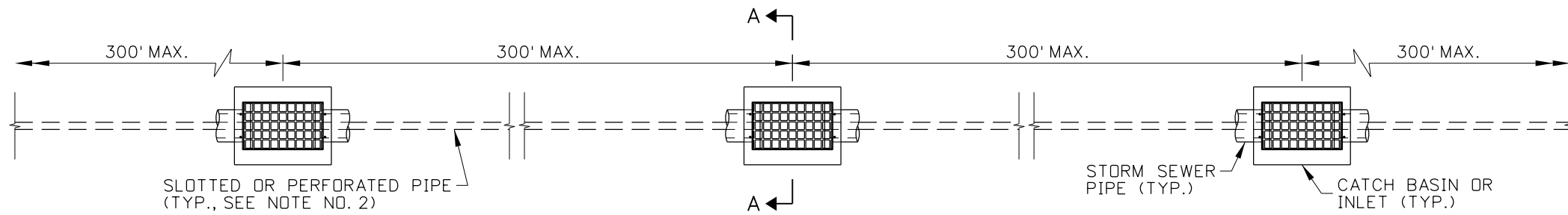
SCALES SHOWN ARE FOR 11" X 17" PRINTS ONLY
CADD FILE NAME: 606-2_0514.dgn
DRAWING DATE: FEBRUARY, 2014

IDAHO TRANSPORTATION DEPARTMENT
BOISE IDAHO

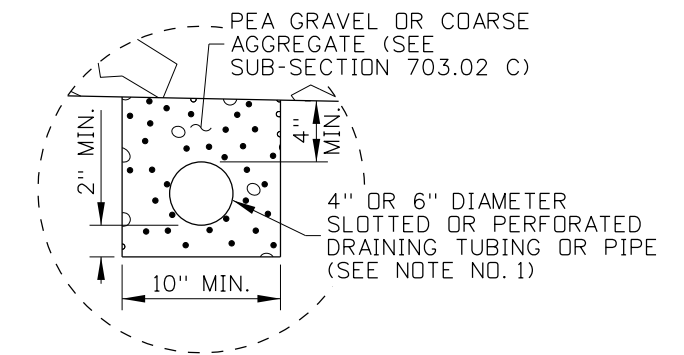
ORIGINAL SIGNED BY: CARL D. MAIN
DESIGN/TRAFFIC SERVICES ENGINEER

STANDARD DRAWING
EDGE DRAIN
REQUIRES SHEET 2 OF 2

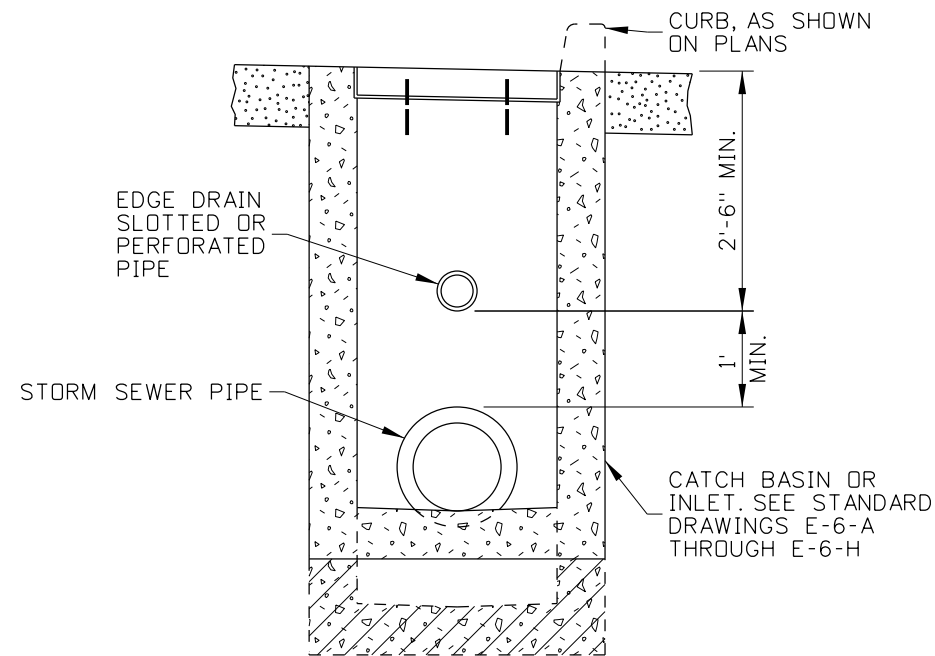
English
STANDARD DRAWING NO. 606-2
SHEET 1 OF 2



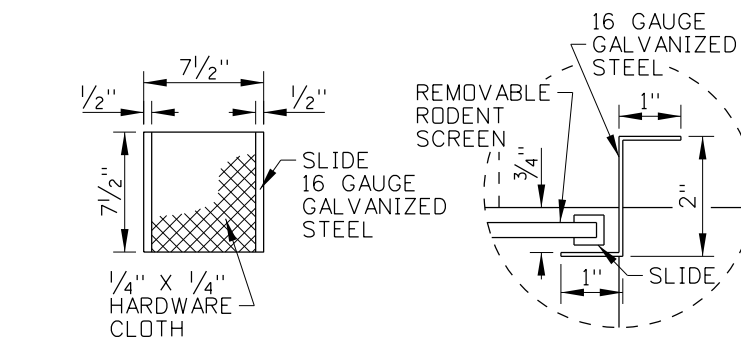
URBAN EDGE DRAIN
PLAN VIEW



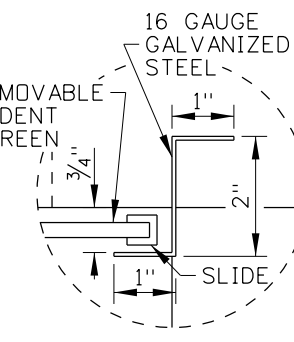
EDGE DRAIN DETAIL



SECTION A-A
URBAN EDGE DRAIN PLACEMENT



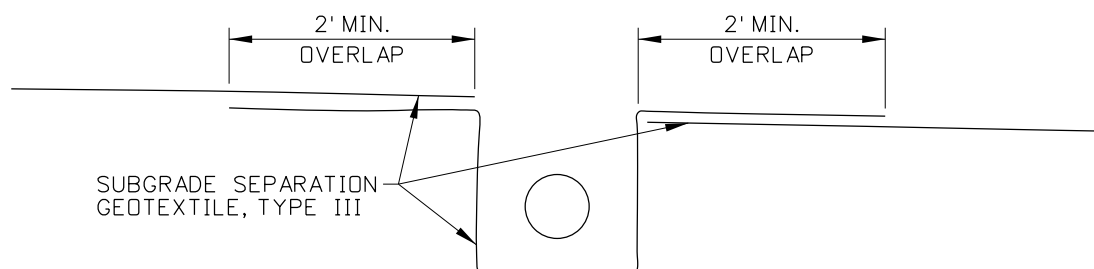
REMOVABLE RODENT
SCREEN DETAIL



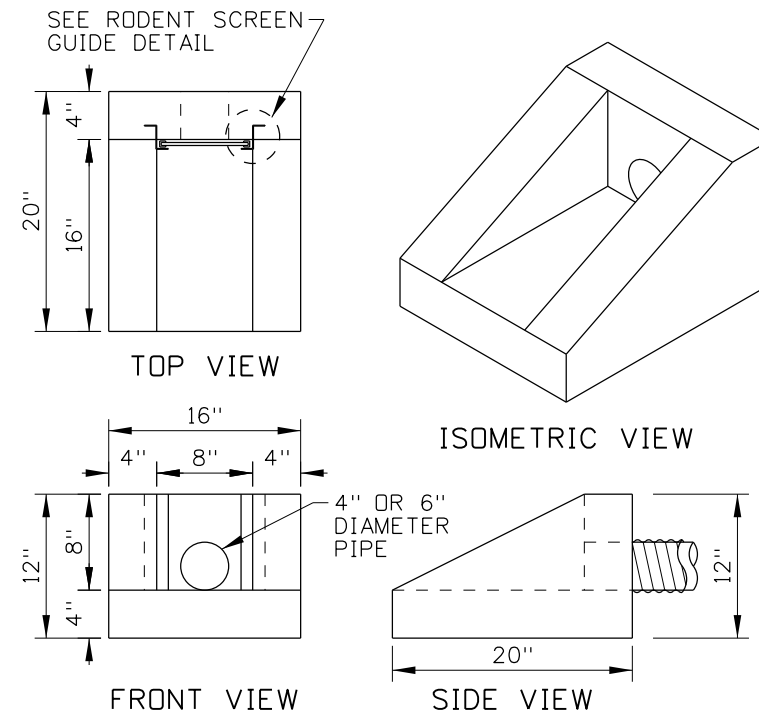
RODENT SCREEN
GUIDE DETAIL

NOTES

1. PROVIDE CORRUGATED POLYETHYLENE DRAINAGE TUBING IN ACCORDANCE WITH SUBSECTION 703.10 OR CLASS PS 46 POLYVINYL CHLORIDE (PVC) PIPE IN ACCORDANCE WITH SUBSECTION 703.14 OF THE STANDARD SPECIFICATIONS FOR HIGHWAY CONSTRUCTION.
2. MINIMUM PIPE GRADE OF 0.5 PERCENT. IN SPECIAL CASES, EDGE DRAIN GRADIENTS MAY BE AS FLAT AS 0.2 PERCENT IF LARGER PIPE DIAMETERS ARE USED.
3. PLACE OUTLET PIPES IN 10 FOOT LONG CORRUGATED STEEL PIPE SLEEVES EXTENDING FROM THE CONCRETE APRON. USE PIPE JUST LARGE ENOUGH TO ALLOW THE OUTLET PIPES TO FIT THROUGH.
4. PROVIDE OUTLET PIPES AT THE BOTTOM OF SAG VERTICAL CURVES.
5. PROVIDE A MINIMUM OF 6 INCHES OF FREEBOARD ABOVE THE BOTTOM OF THE DITCH AND THE PIPE OUTLET. WHERE THIS IS NOT POSSIBLE, PROVIDE A COLLECTION AND DISPOSAL SYSTEM.
6. KEEP JOINTS IN EDGE DRAIN AND OUTLET PIPES TO A MINIMUM. USE COUPLINGS TO JOIN PIPES AS NEEDED.
7. CONCRETE APRON AND RODENT PROTECTOR DETAIL MAY BE PRECAST OR CAST-IN-PLACE. PROVIDE REMOVABLE RODENT SCREEN.
8. VIDEO INSPECT FINISHED EDGE DRAIN AND OUTLET PIPES TO ENSURE THAT DAMAGE WAS NOT INCURRED DURING SUBSEQUENT CONSTRUCTION.
9. DRAWINGS NOT TO SCALE.



GEOTEXTILE DETAIL



CONCRETE APRON AND RODENT PROTECTOR DETAIL
(SEE NOTE NO. 7)

REVISIONS							
NO.	DATE	BY	NO.	DATE	BY	NO.	DATE

SCALES SHOWN ARE FOR 11" X 17" PRINTS ONLY
CADD FILE NAME: 606-2_0514.dgn
DRAWING DATE: FEBRUARY, 2014

IDAHO TRANSPORTATION DEPARTMENT



BOISE IDAHO

ORIGINAL SIGNED BY: CARL D. MAIN
DESIGN/TRAFFIC SERVICES ENGINEER

STANDARD DRAWING
EDGE DRAIN
REQUIRES SHEET 1 OF 2

ORIGINAL STORED AT: ITD, Headquarters 3311 West State Boise, Idaho

English
STANDARD DRAWING NO.
606-2
SHEET 2 OF 2

ORIGINAL SIGNED BY:
KAREN A. MERRICK
DATE ORIGINAL SIGNED:
MAY 7, 2014