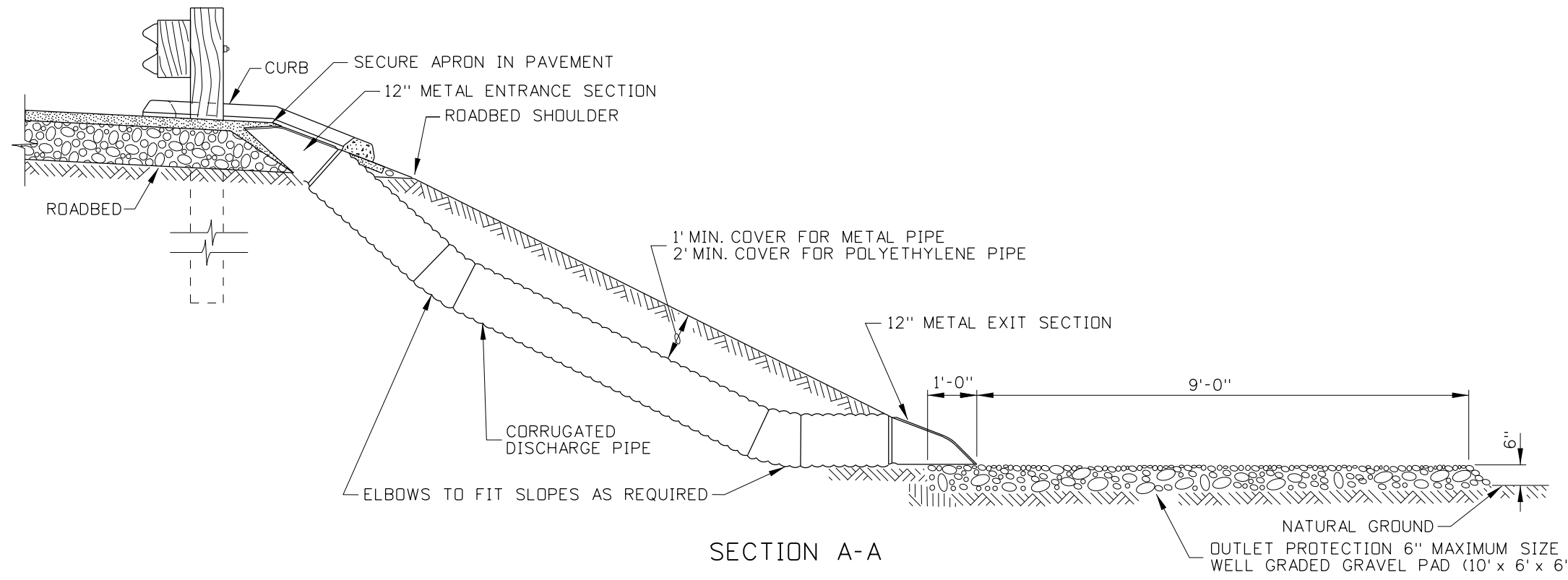


METAL ENTRANCE AND EXIT SECTIONS

SEE THE PIPE APRON STANDARD DRAWINGS FOR MORE INFORMATION



SECTION A-A

DIMENSION TABLE	
TYPE	L
1	20'
2	30'
3	40'
4	50'

NOTES

1. DRAWING NOT TO SCALE

ORIGINAL STORED AT: ITD, Headquarters 3311 West State Boise, Idaho

ORIGINAL SIGNED BY: RYAN D. LANCASTER
DATE ORIGINAL SIGNED: DECEMBER 8, 2015

REVISIONS								
NO.	DATE	BY	NO.	DATE	BY	NO.	DATE	BY
1	04-64		6	07-92	MSM	11	12-04	MSM
2	08-65		7	04-93	MSM	12	09-10	PLR
3	03-67		8	12-93	MSM	13	11-15	RDL
4	01-74		9	06-97	MSM			
5	05-77		10	07-02	MSM			

SCALES SHOWN ARE FOR 11" X 17" PRINTS ONLY
CADD FILE NAME: 607-1_1215.dgn
DRAWING DATE: APRIL, 1964

IDAHO TRANSPORTATION DEPARTMENT



BOISE IDAHO

ORIGINAL SIGNED BY: TED E. MASON for
DESIGN/TRAFFIC SERVICES ENGINEER

STANDARD DRAWING
EMBANKMENT PROTECTOR

English
STANDARD DRAWING NO.
607-1
SHEET 1 OF 1