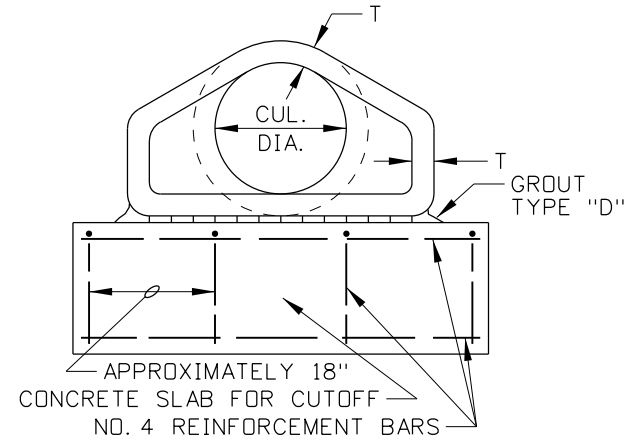
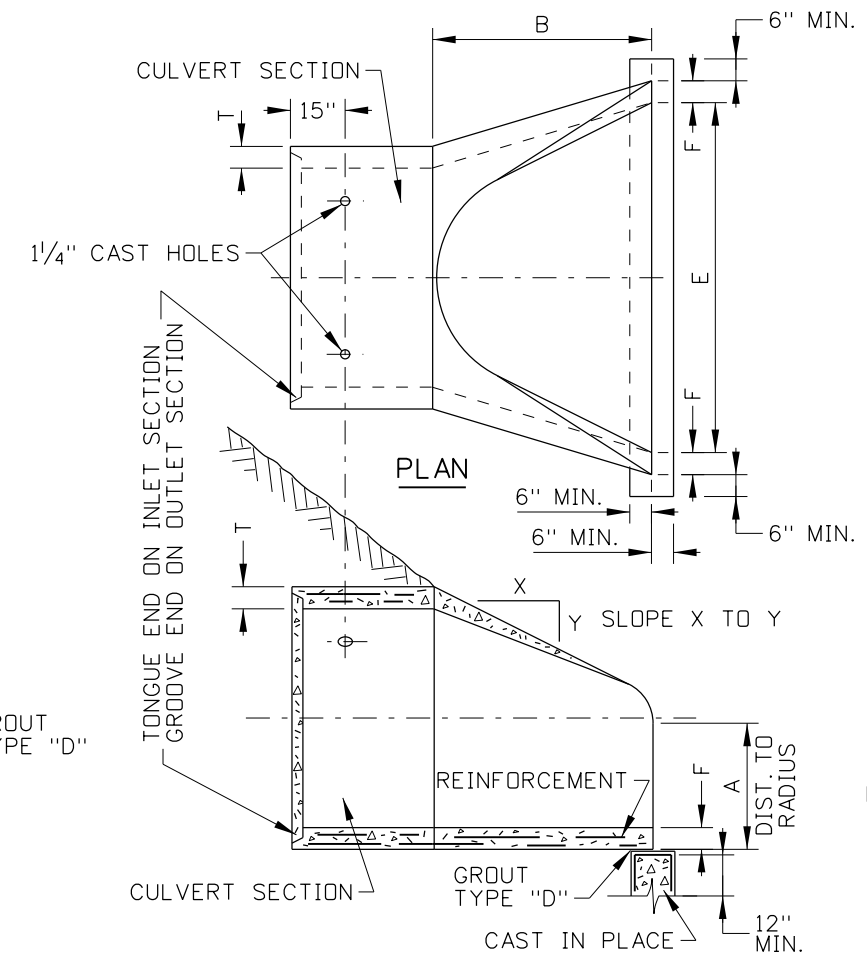


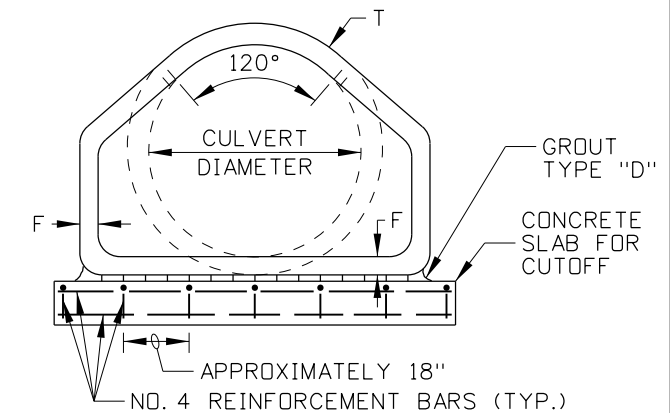
**LONGITUDINAL SECTION**  
(FOR 12" TO 54" DIA. PIPE)



**END VIEW**  
(FOR 12" TO 54" DIA. PIPE)

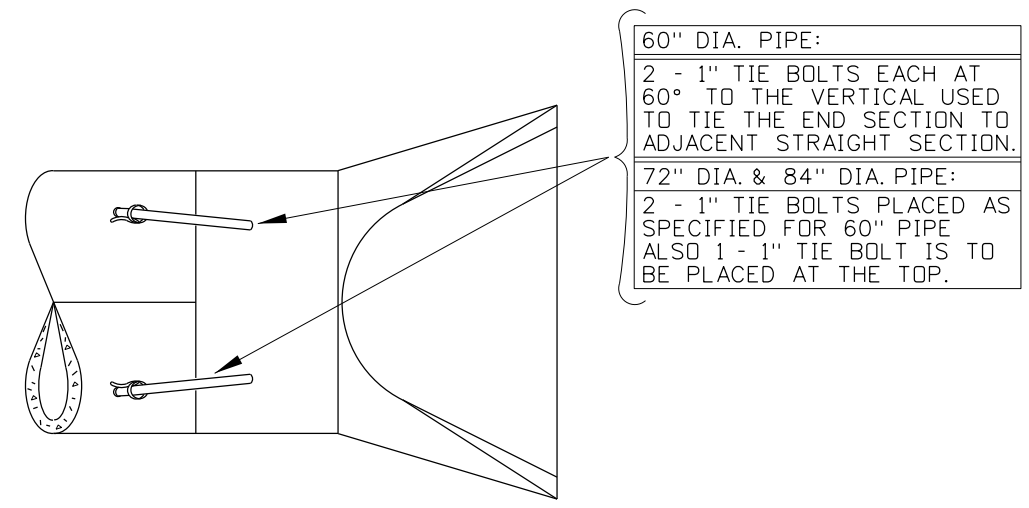


**LONGITUDINAL SECTION**  
(FOR 60" TO 84" DIA. PIPE)



**END VIEW**  
(FOR 60" TO 84" DIA. PIPE)

APRON DIMENSION FOR 12" TO 54" DIA. PIPE					
DIA.	A	B	E	T	SLOPE
12"	4"-5"	1'-10" - 2'-0"	2'-0"	2"	3 TO 1
15"	6"	2'-3"	2'-6"	2 1/4"	3 TO 1
18"	9"-10"	2'-3"	3'-0"	2 1/2"	3 TO 1
21"	9"	3'-0"	3'-5"	2 3/4"	3 TO 1
24"	9 1/2"-10"	3'-7" - 3'-7 1/2"	4'-0"	3"	3 TO 1
27"	10 1/2"	4'-1 1/2"	4'-6"	3 1/4"	3 TO 1
30"	1'-0"	4'-6"	5'-0"	3 1/2"	3 TO 1
36"	1'-3"	5'-3" - 5'-4"	6'-0"	4"	3 TO 1
42"	1'-9" - 1'-10"	5'-3" - 5'-4"	6'-6"	4 1/2"	3 TO 1
48"	2'-0"	6'-0"	7'-0"	5"	3 TO 1
54"	2'-3"	5'-5"	7'-6"	5 1/2"	2 TO 1



**ANCHORING DETAIL**

APRON DIMENSION FOR 60" TO 84" DIA. PIPE						
DIA.	A	B	E	F	T	SLOPE
60"	2'-11"	5'-0"	8'-0"	5"	6"	2 TO 1
72"	3'-0"	6'-6"	9'-0"	6"	7"	1.86 TO 1
84"	3'-0"	7'-6 1/2"	10'-0"	6 1/2"	8"	1.5 TO 1

**NOTES**

1. TONGUE AND GROOVE JOINTS ARE SHOWN ON THE DRAWING FOR EXAMPLE ONLY. OTHER JOINTS MAY BE APPROVED BY THE ENGINEER PRIOR TO INSTALLATION.
2. NOT TO SCALE.

REVISIONS							
NO.	DATE	BY	NO.	DATE	BY	NO.	DATE
1	4-66						
2	8-67						
3	2-00	MSM					
4	10-05	MSM					
5	12-12	RDL					

SCALES SHOWN ARE FOR 11" X 17" PRINTS ONLY  
CADD FILE NAME: 608-2\_1212.dgn  
DRAWING DATE: MARCH, 1966

**IDAHO TRANSPORTATION DEPARTMENT**



BOISE IDAHO

ORIGINAL SIGNED BY: LOREN THOMAS  
HIGHWAYS PROGRAM OVERSIGHT ENGINEER

ORIGINAL SIGNED BY: TOM COLE  
CHIEF ENGINEER

STANDARD DRAWING

**CONCRETE APRONS FOR PIPE CULVERTS**

**English**

STANDARD DRAWING NO. **608-2**

SHEET 1 OF 1

ORIGINAL STORED AT: ITD, Headquarters 3311 West State Boise, Idaho

