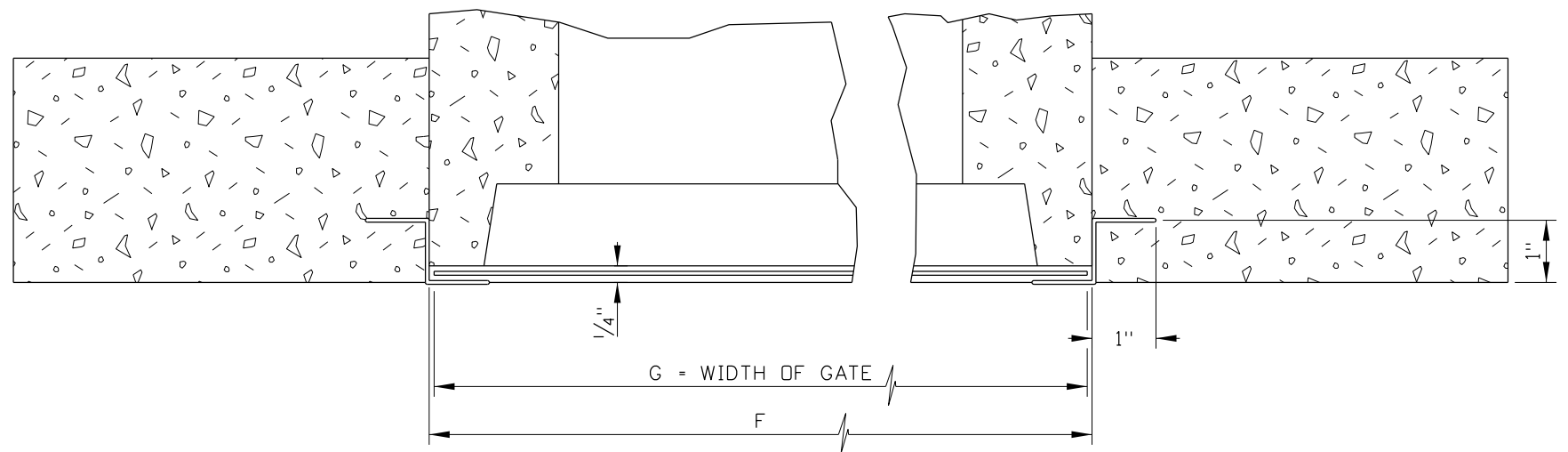
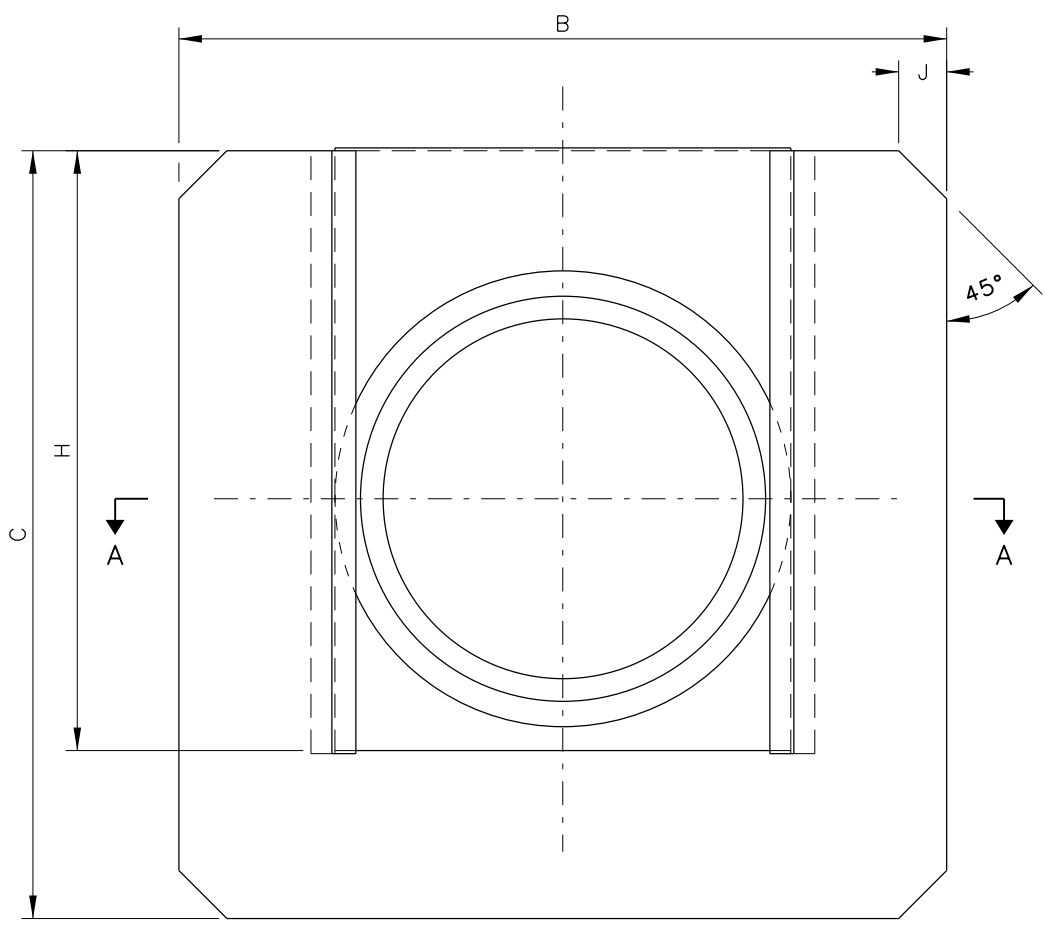


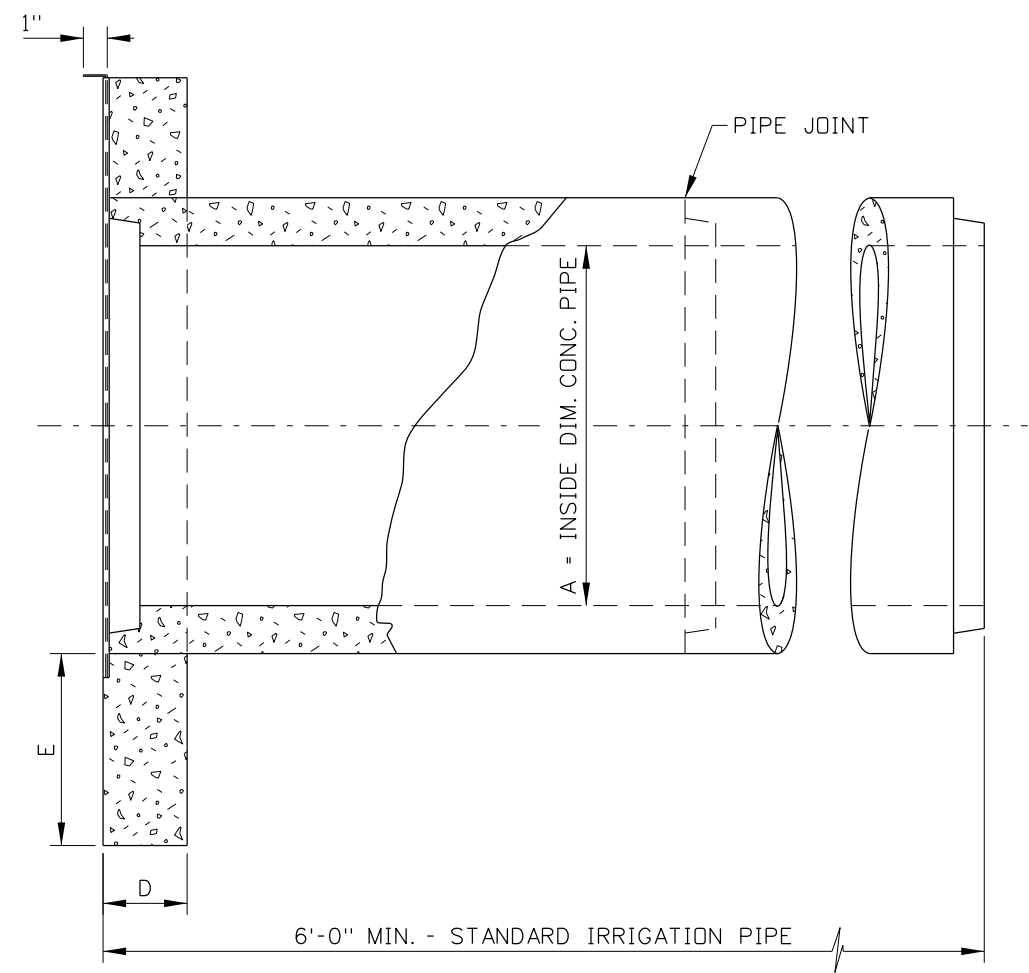
PLAN



SECTION A-A



END ELEVATION



SIDE ELEVATION

MINIMUM DIMENSIONS TABLE								
PIPE DIA.	MINIMUM DIMENSIONS (INCHES)							
	A	B	C	D	E	F	G	J
4	15	15	2 1/2	3	8 1/4	8	13	24
6	15	15	2 1/2	3	8 1/4	8	13	30
8	22	22	3	6	12 1/2	12 1/4	17	36
10	22	22	3	6	12 1/2	12 1/4	17	42
12	27	27	3	7	16 1/4	16	21	48
15	32	32	3 1/2	8	19 1/4	19	25	60
18	36	36	4	9	23 3/4	23 1/2	28	72
21	42	42	4	11	26 1/4	26	32	84
24	54	54	4	15	30 1/4	30	40	90
30	60	60	4	19	36 1/4	36	42	102

NOTES

1. SLIDE GATE AND GUIDES SHALL BE 16 GAGE GALVANIZED STEEL.
2. NO SCALE IS REPRESENTED ON THESE DRAWING ILLUSTRATIONS.

REVISIONS								
NO.	DATE	BY	NO.	DATE	BY	NO.	DATE	BY
1	08-64							
2	11-86	GB						
3	09-01	MSM						
4	03-05	MSM						

SCALES SHOWN ARE FOR 11" X 17" PRINTS ONLY  
 CADD FILE NAME: 609-6\_0305.dgn  
 DRAWING DATE: APRIL, 1961

**IDAHO TRANSPORTATION DEPARTMENT**



BOISE IDAHO

ORIGINAL SIGNED BY: LOREN THOMAS  
 ASSISTANT CHIEF ENGINEER (DEVELOPMENT)  
 ORIGINAL SIGNED BY: STEVEN HUTCHINSON  
 CHIEF ENGINEER

STANDARD DRAWING  
**PRECAST CONCRETE HEADGATE**

ORIGINAL STORED AT: ITD, Headquarters 3311 West State Boise, Idaho

**English**  
 STANDARD DRAWING NO.  
**609-6**  
 SHEET 1 OF 1

ORIGINAL SIGNED BY: MILDRED L. MILLER  
 DATE ORIGINAL SIGNED: MARCH 4, 2005