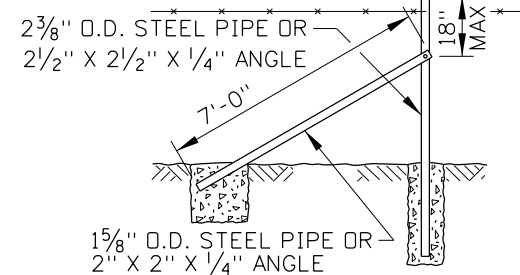
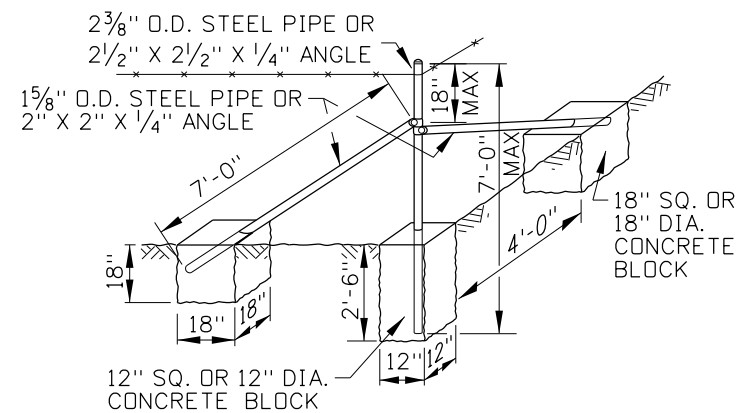


LINE BRACE



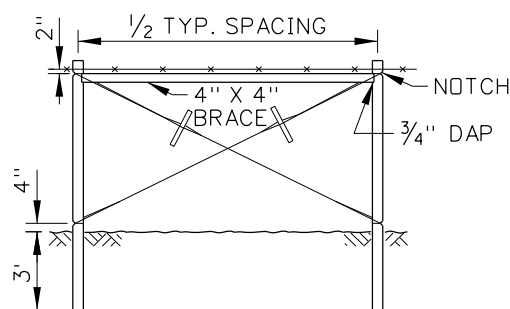
TERMINAL BRACE



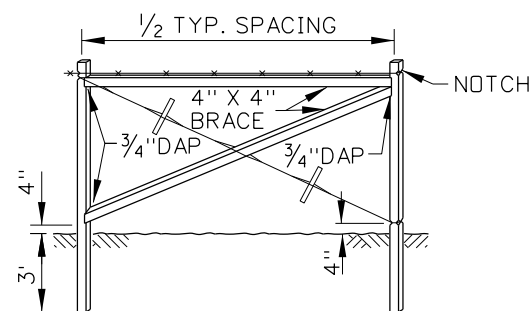
CORNER BRACE

BRACE SPACING TABLE			
FENCE TYPE	DISTANCE BETWEEN BRACES	METAL BRACES	WOOD BRACES
1, 5, & 9	<66'	NONE	NONE
	66' TO 660'	SINGLE	SINGLE
	660' TO 990'	DO NOT EXCEED 660'	DOUBLE
3	<33'	NONE	NONE
	33' TO 330'	SINGLE	SINGLE
4	330' TO 660'	DO NOT EXCEED 330'	DOUBLE
4	INTEGRATED INTO CHAIN LINK FENCE		

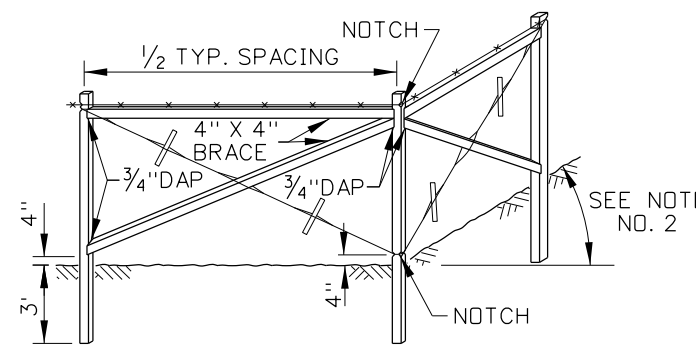
METAL BRACES



LINE BRACE

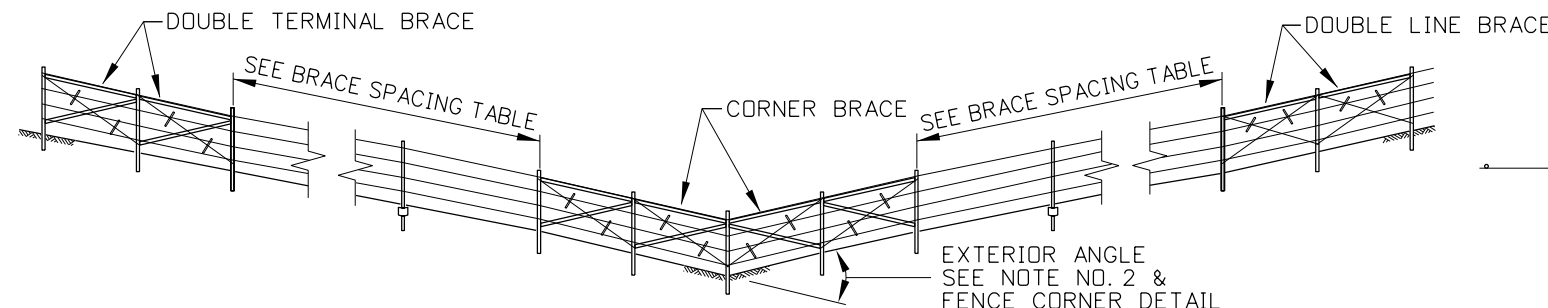


TERMINAL BRACE

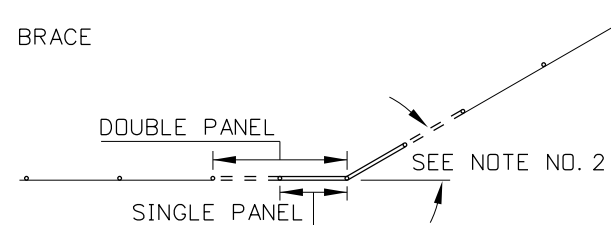


CORNER BRACE

WOOD BRACES



WOOD DOUBLE BRACE PANELS



FENCE CORNER DETAIL

NOTES

1. USE METAL BRACES WHEN METAL FENCE POSTS ARE USED. USE WOOD BRACES WHEN WOOD FENCE POSTS ARE USED.
2. USE DOUBLE WOOD CORNER BRACES WHEN THE EXTERIOR FENCE CORNER ANGLE EXCEEDS 30°. INSTALL DOUBLE LINE AND TERMINAL BRACES IN ACCORDANCE WITH THE FENCE BRACE TABLE.
3. SEE THE BRACE SPACING TABLE FOR THE MAXIMUM DISTANCES BETWEEN BRACES.

REVISIONS							
NO.	DATE	BY	NO.	DATE	BY	NO.	DATE

SCALES SHOWN ARE FOR 11" X 17" PRINTS ONLY
 CADD FILE NAME: 610-3_1216.dgn
 DRAWING DATE: NOVEMBER, 2016

IDAHO TRANSPORTATION DEPARTMENT
 BOISE IDAHO

ORIGINAL SIGNED BY: TED MASON
 DESIGN/TRAFFIC SERVICES ENGINEER

STANDARD DRAWING
 FENCE BRACES
 REQUIRES STD. DWG. 610-1

English
 STANDARD DRAWING NO.
 610-3
 SHEET 1 OF 1

ORIGINAL STORED AT: ITD, Headquarters 3311 West State Boise, Idaho

