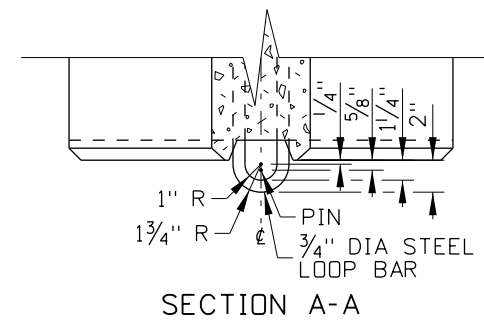
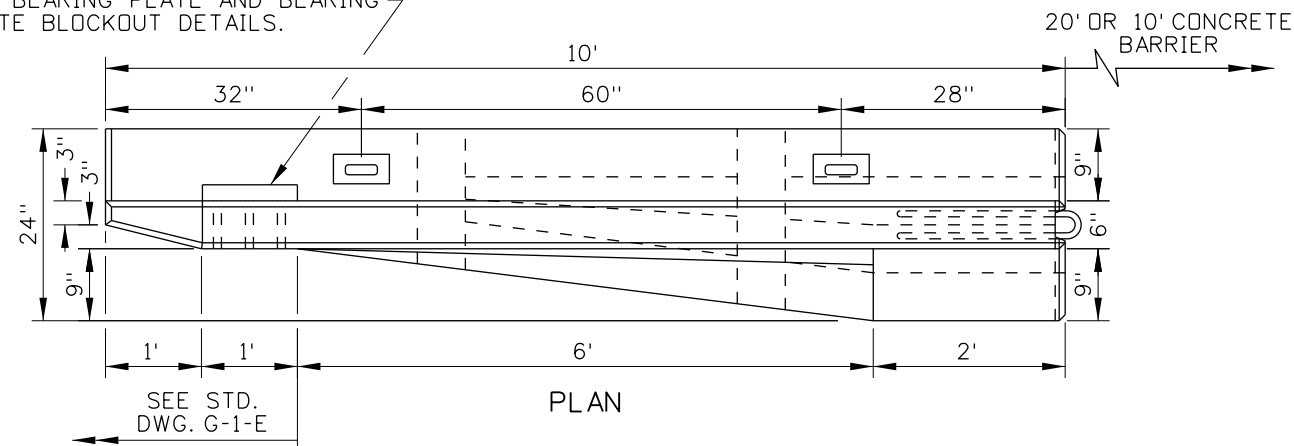
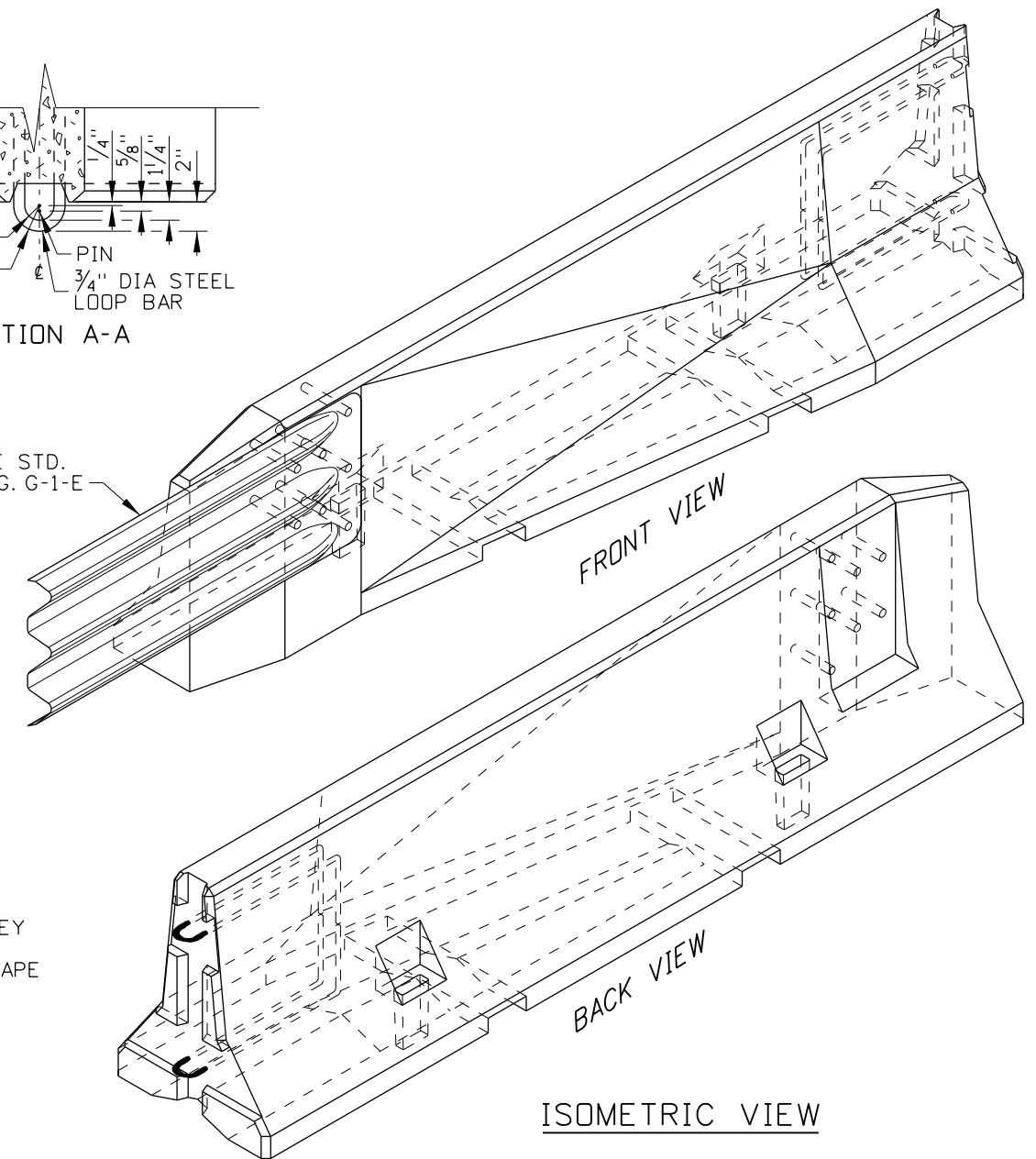


BLOCKOUT FOR BEARING PLATE.
SEE BEARING PLATE AND BEARING
PLATE BLOCKOUT DETAILS.



SECTION A-A

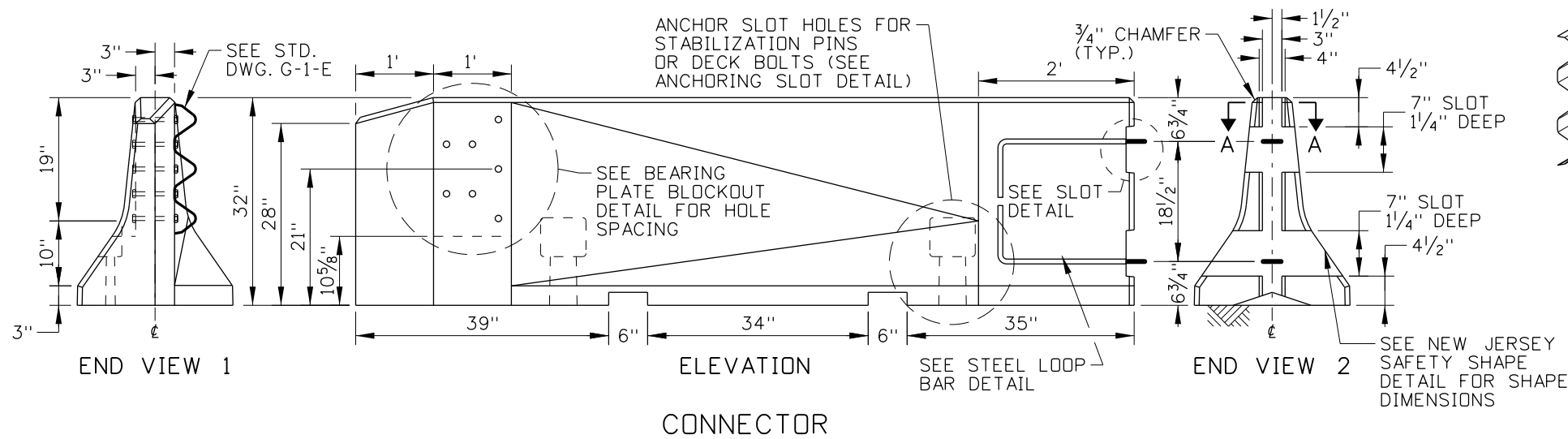
SEE STD.
DWG. G-1-E



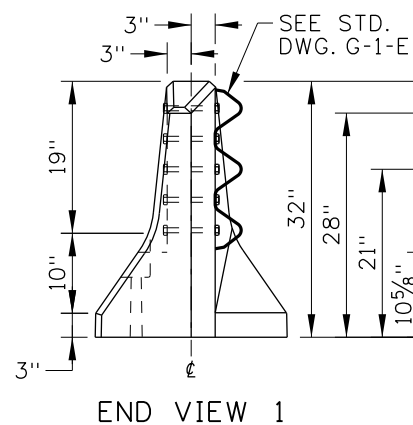
FRONT VIEW

BACK VIEW

ISOMETRIC VIEW



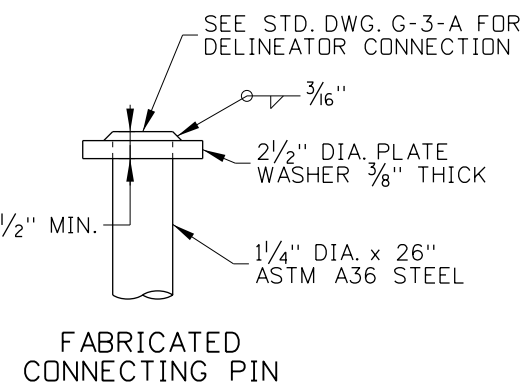
CONNECTOR



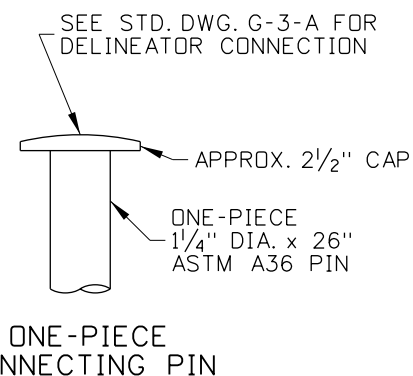
END VIEW 1

ELEVATION

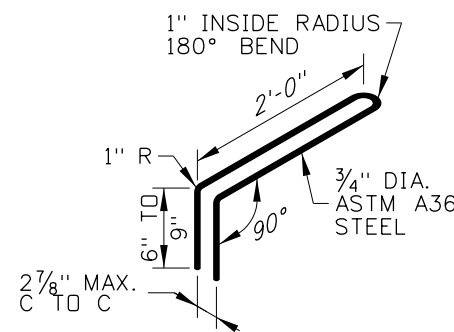
END VIEW 2



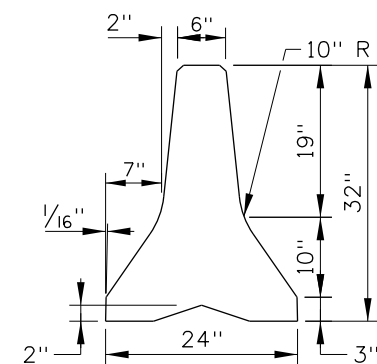
FABRICATED
CONNECTING PIN



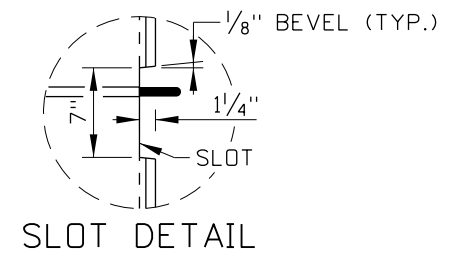
ONE-PIECE
CONNECTING PIN



STEEL LOOP BAR DETAIL



NEW JERSEY SAFETY SHAPE DETAIL



SLOT DETAIL

CONNECTING PIN DETAIL
(SEE NOTE NO. 5)

ORIGINAL STORED
AT: ITD,
Headquarters
3311 West State
Boise, Idaho

ORIGINAL SIGNED BY:
RYAN D. LANCASTER
DATE ORIGINAL SIGNED:
NOVEMBER 6, 2013

REVISIONS							
NO.	DATE	BY	NO.	DATE	BY	NO.	DATE
1	6-80		6	12-94	MSM	11	11-04
2	5-82		7	2-96	MSM	12	10-13
3	7-88	GB	8	5-99	MSM		
4	1-91	GB	9	10-02	MSM		
5	12-92	MSM	10	4-04	MSM		

SCALES SHOWN
ARE FOR 11" X 17"
PRINTS ONLY

CADD FILE NAME:
612-22_1113.dgn

DRAWING DATE:
AUGUST, 1977

**IDAHO
TRANSPORTATION
DEPARTMENT**

BOISE IDAHO

ORIGINAL SIGNED BY: TOM COLE
HIGHWAYS PROGRAM OVERSIGHT ENGINEER

ORIGINAL SIGNED BY: TOM COLE
CHIEF ENGINEER

STANDARD DRAWING

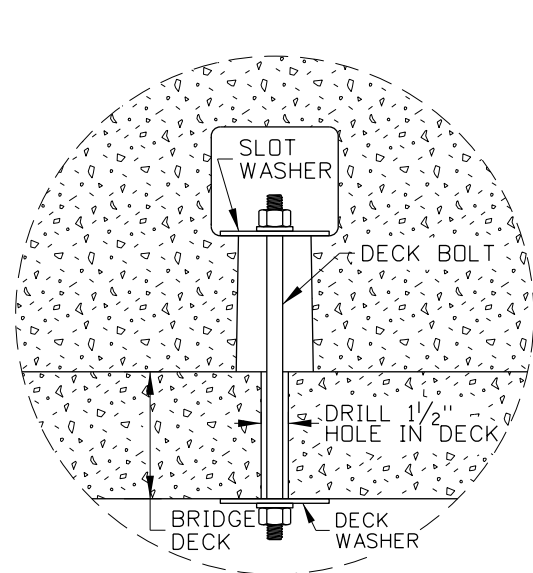
**CONCRETE BARRIER TO THRIE
BEAM GUARDRAIL CONNECTOR**

REQUIRES SHEETS 2 OF 3, 3 OF 3,
& STD. DWG. 612-10 OR 612-11

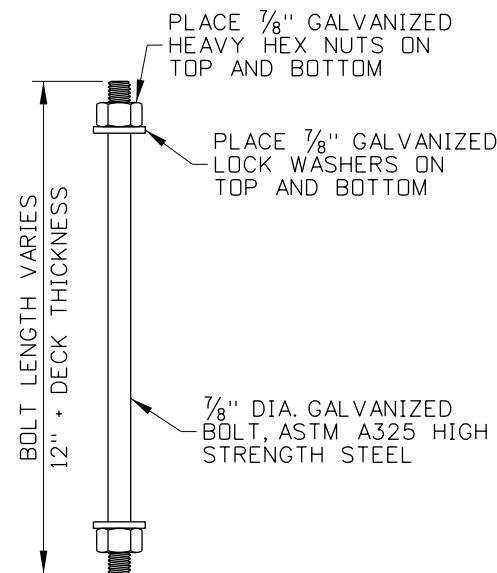
English

STANDARD DRAWING NO.
612-22

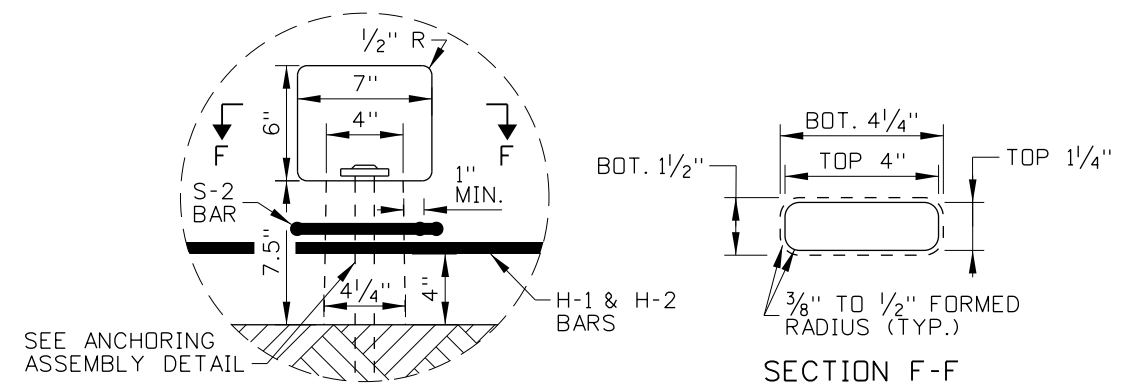
SHEET 1 OF 3



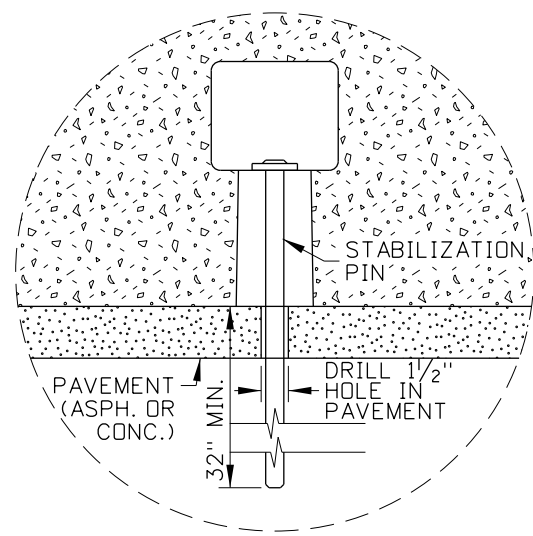
DECK BOLT ANCHORING



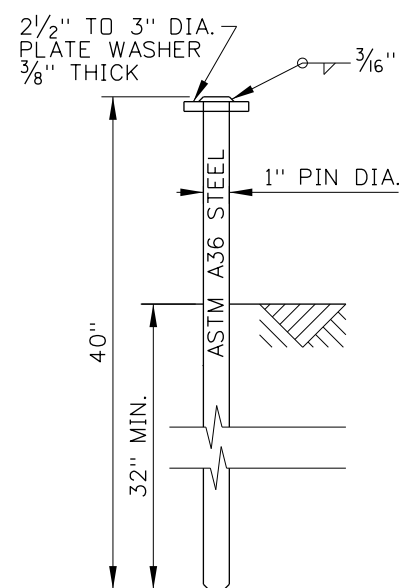
DECK BOLT



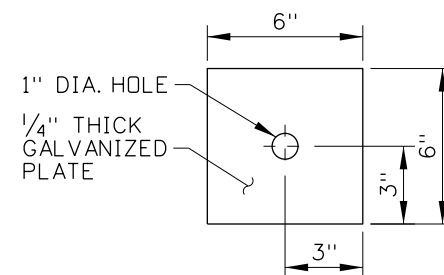
ANCHORING SLOT DETAIL
(SEE NOTE NO. 5)



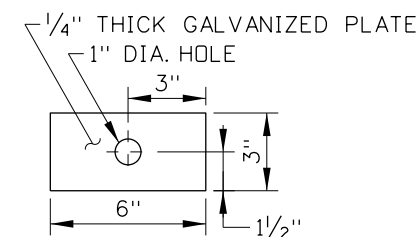
STABILIZATION PIN ANCHORING



STABILIZATION PIN



DECK WASHER



SLOT WASHER

NOTES

- CONNECTOR MAY BE PRECAST AS SHOWN OR AS A MIRROR IMAGE FOR USE WITH TRAFFIC TRAVELING IN THE OPPOSITE DIRECTION.
- PRECAST USING CONCRETE CLASS 40A. ENSURE THAT REINFORCING STEEL IS IN ACCORDANCE WITH SECTION 708 - METALS OF THE STANDARD SPECIFICATIONS FOR HIGHWAY CONSTRUCTION. PROVIDE 2" MINIMUM CONCRETE COVER OVER REINFORCING STEEL UNLESS OTHERWISE NOTED.
- ENSURE THAT REINFORCING STEEL BENDS ARE MADE IN ACCORDANCE WITH THE LATEST A.C.I. STANDARD PRACTICES AND AASHTO SPECIFICATIONS.
- THE DIMENSIONS SHOWN IN THE REINFORCING STEEL TABLE ARE MEASURED FROM OUTSIDE-TO-OUTSIDE (O. TO O.) OF BENDS OR BAR ENDS. THE DIMENSIONS SHOWN ON THE METAL REINFORCEMENT DETAIL ARE MEASURED FROM CENTER OF BAR TO CENTER OF BAR.
- ANCHOR THE CONNECTOR TO THE PAVEMENT STRUCTURE SECTION OR BRIDGE DECK USING STABILIZATION PINS OR DECK BOLTS AND CONNECT TO 10' OR 20' CONCRETE BARRIER USING A CONNECTING PIN.
- WHEN CONNECTING TO 10' OR 20' CONCRETE BARRIER, THE EXPOSED STEEL LOOP BARS MAY BE BENT (MECHANICALLY, NOT WITH HEAT) TO FIT.
- PROVIDE THRIE BEAM GUARDRAIL IN ACCORDANCE WITH STANDARD DRAWING 612-2 AND GUARDRAIL TRANSITION IN ACCORDANCE WITH STANDARD DRAWINGS 612-10 OR 612-11.
- NOT TO SCALE.

ANCHORING ASSEMBLY DETAIL
(SEE NOTE NO. 5)

ORIGINAL STORED AT: ITD, Headquarters 3311 West State Boise, Idaho

ORIGINAL SIGNED BY: RYAN D. LANCASTER DATE ORIGINAL SIGNED: NOVEMBER 6, 2013

REVISIONS							
NO.	DATE	BY	NO.	DATE	BY	NO.	DATE
1	6-80		6	12-94	MSM	11	11-04
2	5-82		7	2-96	MSM	12	10-13
3	7-88	GB	8	5-99	MSM		
4	1-91	GB	9	10-02	MSM		
5	12-92	MSM	10	4-04	MSM		

SCALES SHOWN ARE FOR 11" X 17" PRINTS ONLY
CADD FILE NAME: 612-22_1113.dgn
DRAWING DATE: AUGUST, 1977

IDAHO TRANSPORTATION DEPARTMENT



BOISE IDAHO

ORIGINAL SIGNED BY: TOM COLE
HIGHWAYS PROGRAM OVERSIGHT ENGINEER
ORIGINAL SIGNED BY: TOM COLE
CHIEF ENGINEER

STANDARD DRAWING
CONCRETE BARRIER TO THRIE BEAM GUARDRAIL CONNECTOR
REQUIRES SHEETS 1 OF 3, 2 OF 3, & STD. DWG. 612-10 OR 612-11

English
STANDARD DRAWING NO.
612-22
SHEET 3 OF 3