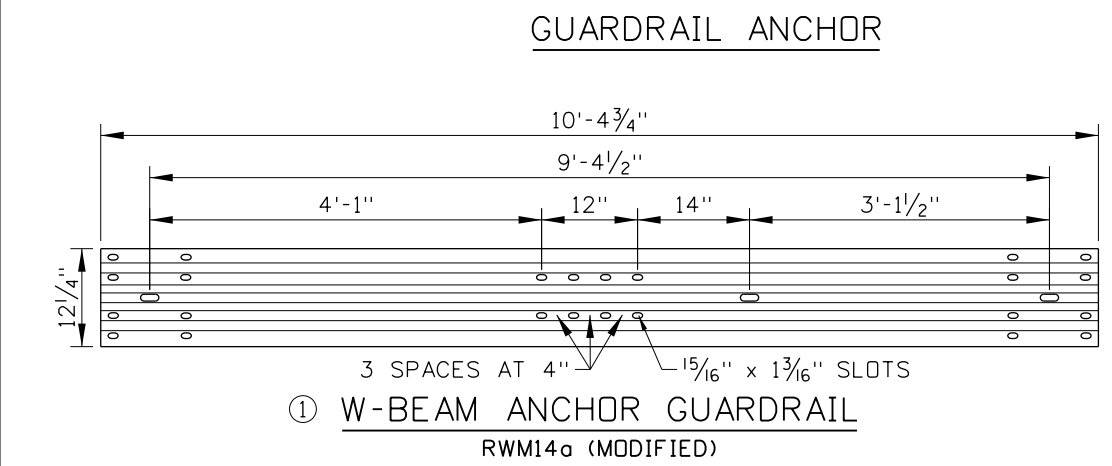


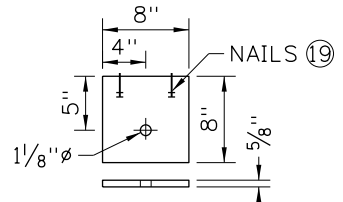
③ FOUNDATION TUBE DETAIL
PTE06

④ BCT TIMBER POST DETAIL
PDF--

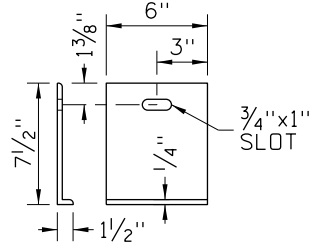
ANCHOR HARDWARE COMPONENTS TABLE			
ITEM NO.	COMPONENT DESCRIPTION	QTY.	TF-13 NAME
①	W-BEAM ANCHOR GUARDRAIL	1	RWM14a (MOD)
②	W-BEAM END SECTION (ROUNDED)	1	RWE03a
③	FOUNDATION TUBE	2	PTE06
④	BCT TIMBER POST	2	PDF--
⑤	STRUT AND YOKE ASSEMBLY	1	PFPO2
⑥	BCT CABLE ANCHOR ASSEMBLY	1	FCA01
⑦	GUARDRAIL ANCHOR BRACKET	1	FPA01
⑧	BCT POST SLEEVE	1	FMM02
⑨	BCT BEARING PLATE	1	FPB01
⑩	SHELF ANGLE BRACKET	1	FPP02
⑪	5/8" GUARDRAIL SPLICE BOLT AND RECESSED NUT	4	FBB01
⑫	10" GUARDRAIL BOLT & RECESSED NUT	2	FBB03
⑬	5/8" X 2" HEX HEAD BOLT & NUT	8	FBX16a
⑭	5/8" X 8" HEX HEAD BOLT & NUT	2	FBX16a
⑮	5/8" X 10" HEX HEAD BOLT & NUT	2	FBX16a
⑯	1" HEX NUTS	4	FNX24a
⑰	5/8" FLAT WASHER	22	FWC16a
⑱	1" FLAT WASHER	2	FWC24a
⑲	16D GALVANIZED NAIL	2	N/A



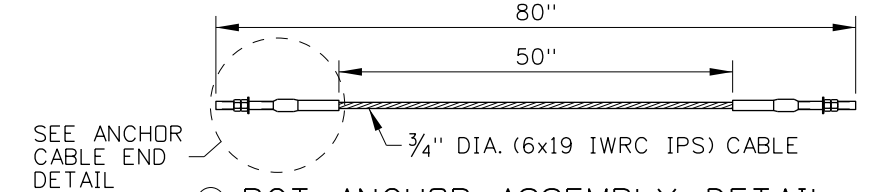
① W-BEAM ANCHOR GUARDRAIL
RWM14a (MODIFIED)



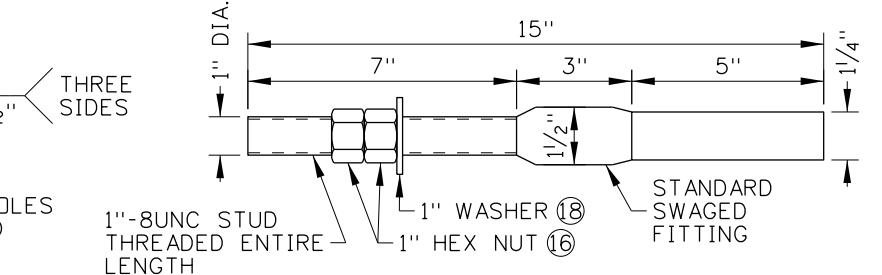
⑨ BCT BEARING PLATE DETAIL
FPB01



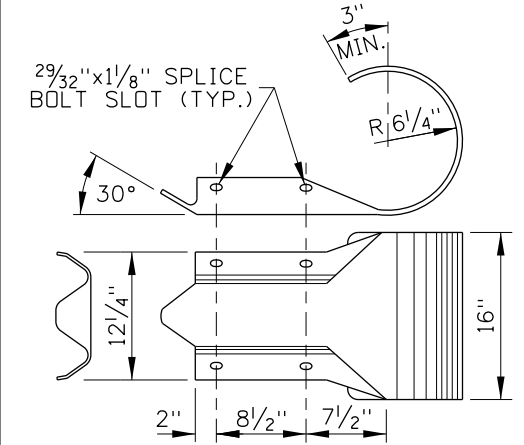
⑩ SHELF ANGLE BRACKET DETAIL
FPP02



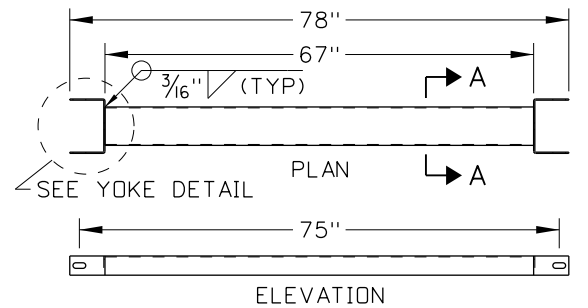
⑥ BCT ANCHOR ASSEMBLY DETAIL
FCA01



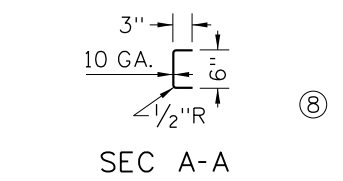
ANCHOR CABLE END DETAIL



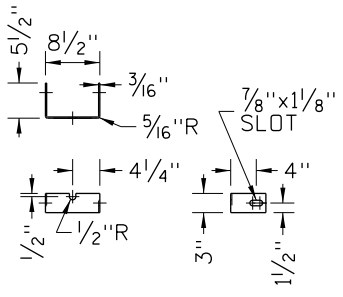
② W-BEAM END SECTION DETAIL
RWE03a



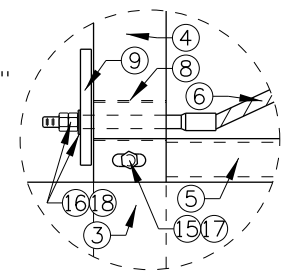
⑤ STRUT AND YOKE ASSEMBLY DETAIL
PFPO2



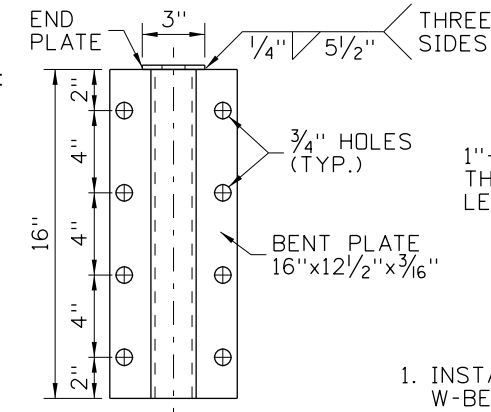
YOKE DETAIL



⑧ BCT POST SLEEVE DETAIL
FMM02



ANCHOR DETAIL



⑦ GUARDRAIL ANCHOR BRACKET DETAIL
FPA01

NOTES

1. INSTALL THE ANCHOR SYSTEM ON THE TRAILING END OF 31" W-BEAM GUARDRAIL, OUTSIDE OF THE CLEAR ZONE FOR APPROACHING TRAFFIC, OR BOTH.
2. SUPPORT THE W-BEAM ANCHOR GUARDRAIL AT THE END POST WITH THE SHELF ANGLE BRACKET. DO NOT BOLT THE W-BEAM GUARDRAIL TO THE POST.
3. ENSURE THAT THE FOUNDATION TUBES DO NOT EXTEND MORE THAN 3 3/4" ABOVE THE FINISHED GRADE.
4. INSTALL AN EXTRA HEX NUT ON EACH END OF THE BCT CABLE ANCHOR ASSEMBLY.
5. AFFIX A TYPE 3 OBJECT MARKER TO THE W-BEAM END SECTION WHEN THE ANCHOR IS USED ON AN UNDIVIDED HIGHWAY.
6. DRAWING NOT TO SCALE.

ORIGINAL STORED AT: ITD, Headquarters 3311 West State Boise, Idaho

ORIGINAL SIGNED BY: RYAN D. LANCASTER
DATE ORIGINAL SIGNED: JULY 25, 2017

REVISIONS							
NO.	DATE	BY	NO.	DATE	BY	NO.	DATE

SCALES SHOWN ARE FOR 11" X 17" PRINTS ONLY
CADD FILE NAME: 612-5_0617.dgn
DRAWING DATE: JUNE, 2017

IDAHO TRANSPORTATION DEPARTMENT
BOISE IDAHO

ORIGINAL SIGNED BY: KEVIN SABLAN
DESIGN/TRAFFIC SERVICES ENGINEER

STANDARD DRAWING
GUARDRAIL ANCHOR

English
STANDARD DRAWING NO. 612-5
SHEET 1 OF 1