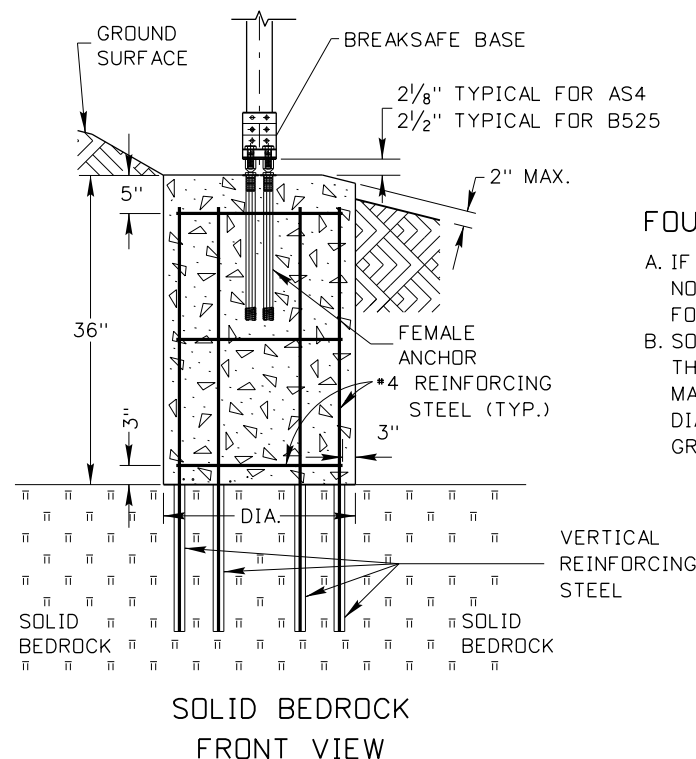
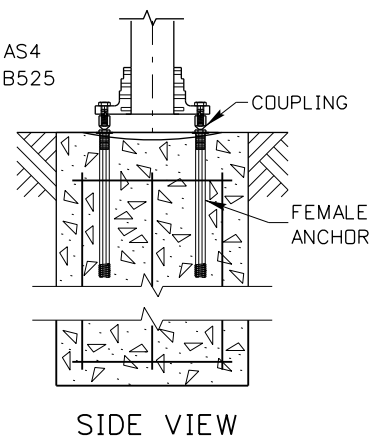
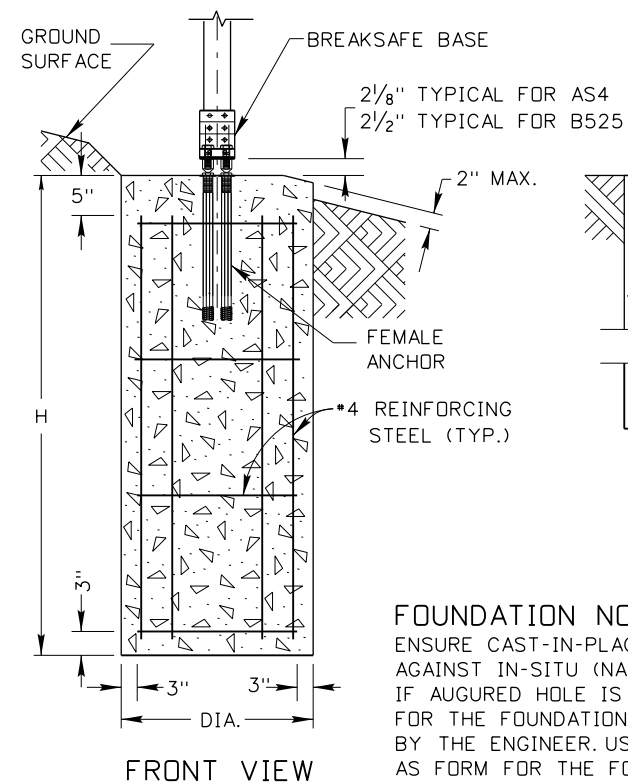
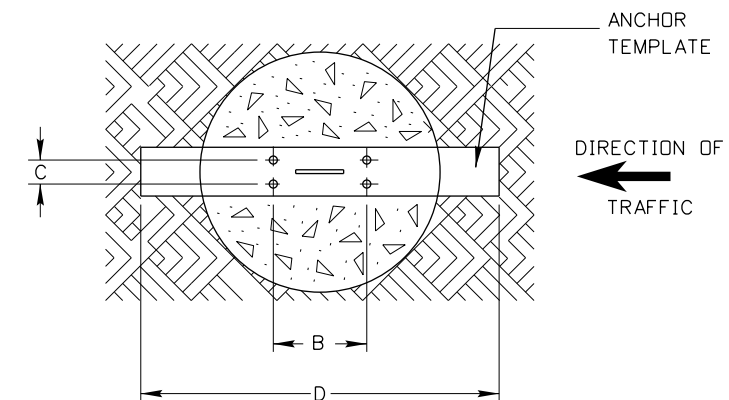


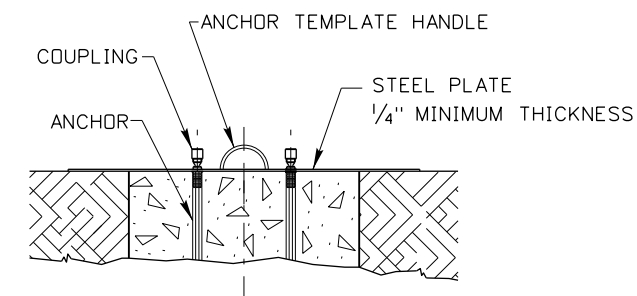
GENERAL NOTES:

1. SEE SIGNING ERECTION SPECIFICATIONS FOR DIMENSIONS OF EACH SIGN INSTALLATION.
2. INSTALL BREAKAWAY SUPPORT SYSTEM PER MANUFACTURERS INSTRUCTIONS.
3. USE ANCHOR TEMPLATE TO HOLD ANCHORS SOLID AND LEVEL.
4. NO PART OF THE FOUNDATION OR NON-BREAKAWAY PART OF THE BASE SHOULD PROTRUDE MORE THAN 2" ABOVE THE GROUND SURFACE.
5. FOUNDATION REINFORCING STEEL CAGES MAY BE WELDED IF THE REINFORCING STEEL CONFORMS TO ASTM A706/A706M AND ALL WELDING CONFORMS TO ANSI/AWS D1.4 (STRUCTURAL WELDING CODE - REINFORCING STEEL).
6. CURE FOUNDATIONS FOR A MINIMUM OF 7 DAYS BEFORE ANY LOADING IS APPLIED.
7. THE COST OF BOLTS, NUTS, WASHERS, AND ALUMINUM CLIP ASSEMBLIES NEEDED TO MOUNT THE SIGN(S) IS INCIDENTAL TO BREAKAWAY SIGN POST INSTALLATION TYPE B.
8. DRAWING NOT TO SCALE.

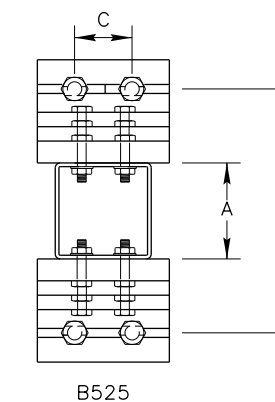
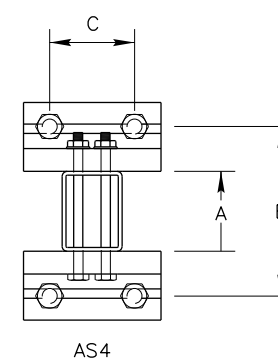


FOUNDATION IN SOLID BEDROCK NOTES:

- A. IF DEPTH TO BEDROCK IS LESS THAN 36", NOTIFY THE ENGINEER. REDESIGN OF THE FOUNDATION MAY BE REQUIRED.
- B. SOCKET VERTICAL REINFORCING STEEL FOR THE DEPTH SHOWN IN POLE FOUNDATION MATERIAL QUANTITIES. DRILL 2 INCH MINIMUM DIAMETER HOLES. FILL DRILLED HOLES WITH GROUT, TYPE "B", CLASS 1.



TYPICAL ANCHOR TEMPLATE FOR TYPE B SIGN POSTS



FOUNDATION NOTE:

ENSURE CAST-IN-PLACE FOUNDATION IS PLACED AGAINST IN-SITU (NATIVE) SOILS IN AUGERED HOLE. IF AUGERED HOLE IS NOT POSSIBLE, EXCAVATION FOR THE FOUNDATION CAN BE DONE IF APPROVED BY THE ENGINEER. USE CORRUGATED METAL PIPE AS FORM FOR THE FOUNDATION. PLACE AND COMPACT BACKFILL IN ACCORDANCE TO SUBSECTION 210.03 OF THE IDAHO TRANSPORTATION DEPARTMENT STANDARD SPECIFICATIONS FOR HIGHWAY CONSTRUCTION

FOUNDATION MATERIAL QUANTITIES					
FOUNDATION SIZE	CONCRETE	VERTICAL REINFORCING STEEL		REINFORCING STEEL HOOPS	
		QTY.	LN. FT.	QTY.	LN. FT.
24" X 60"	0.6 CU. YDS.	6	26	4	20.85
30" X 60"	0.9 CU. YDS.	6	26	4	27.13

FOUNDATION IN SOLID BEDROCK MATERIAL QUANTITIES					
FOUNDATION SIZE	CONCRETE	VERTICAL REINFORCING STEEL		REINFORCING STEEL HOOPS	
		QTY.	LN. FT.	QTY.	LN. FT.
24" X 36"	0.38 CU. YDS.	6	26	3	15.65
30" X 36"	0.44 CU. YDS.	6	38	3	20.35

SIGN POST AND BASE ASSEMBLY INFORMATION									
POST TYPE	TUBULAR STEEL POST SIZE	WEIGHT LBS. PER FOOT	BREAKSAFE ASSEMBLY MODEL	FOUNDATION SIZE DIA. X H	A DIMENSION	B DIMENSION	C DIMENSION	D ANCHOR TEMPLATE DIMENSIONS	
B-2	4" X 3" X 3/16"	8.15	AS4	24" X 60"	4"	7 1/16"	4 1/4"	6" X 36" X 1/4"	
B-3	5" X 5" X 3/16"	11.96	B525	30" X 60"	2"	13"	3"	6" X 40" X 1/4"	
B-4	6" X 6" X 3/16"	14.51	B525	30" X 60"	6"	14"	3"	6" X 40" X 1/4"	

REVISIONS								
NO.	DATE	BY	NO.	DATE	BY	NO.	DATE	BY

SCALES SHOWN ARE FOR 11" X 17" PRINTS ONLY

CADD FILE NAME: 616-6\_1216.dgn

DRAWING DATE: DECEMBER, 2016

IDAHO TRANSPORTATION DEPARTMENT

BOISE IDAHO

ORIGINAL SIGNED BY: TED MASON  
DESIGN/TRAFFIC SERVICES ENGINEER

STANDARD DRAWING  
BREAKAWAY STEEL SIGN POST INSTALLATION  
TYPE B  
REQUIRES SHEET 2 OF 2

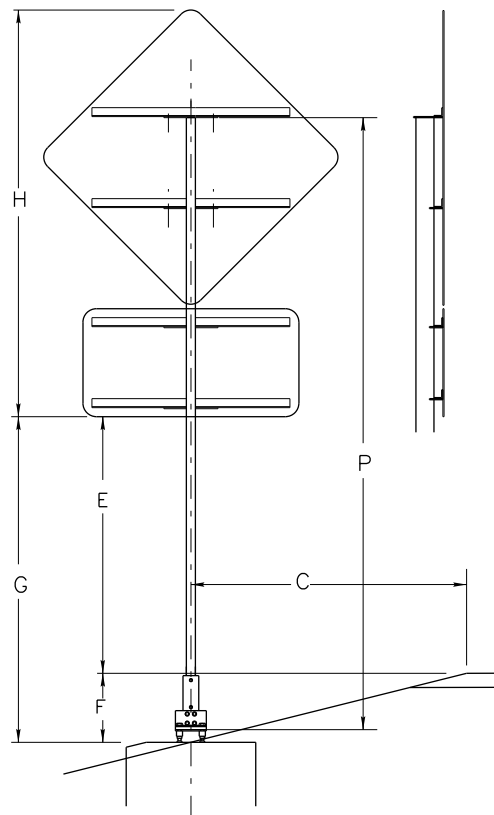
ORIGINAL STORED AT: ITD, Headquarters 3311 West State Boise, Idaho

**English**

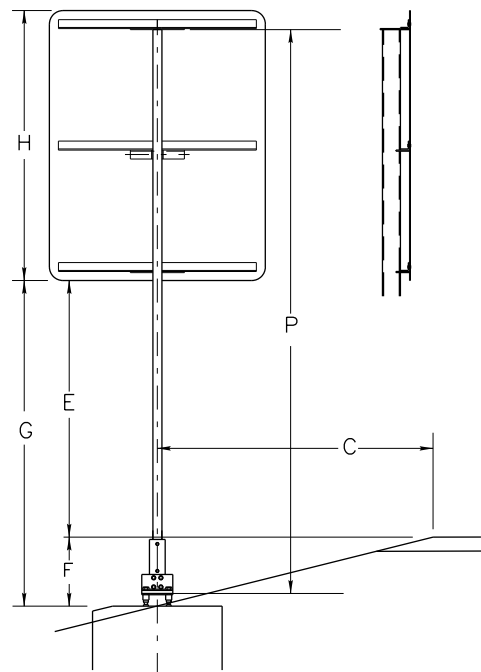
STANDARD DRAWING NO.  
**616-6**

SHEET 1 OF 2

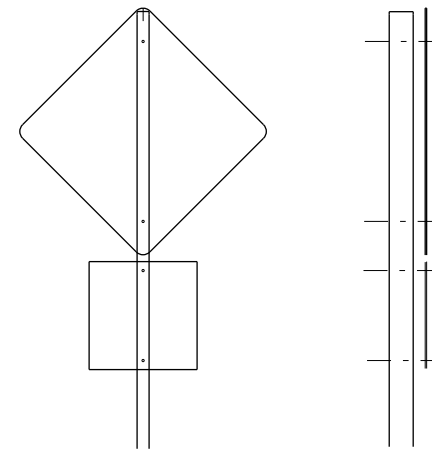
ORIGINAL SIGNED BY:  
RYAN D. LANCASTER  
DATE: ORIGINAL SIGNED:  
DECEMBER 6, 2016



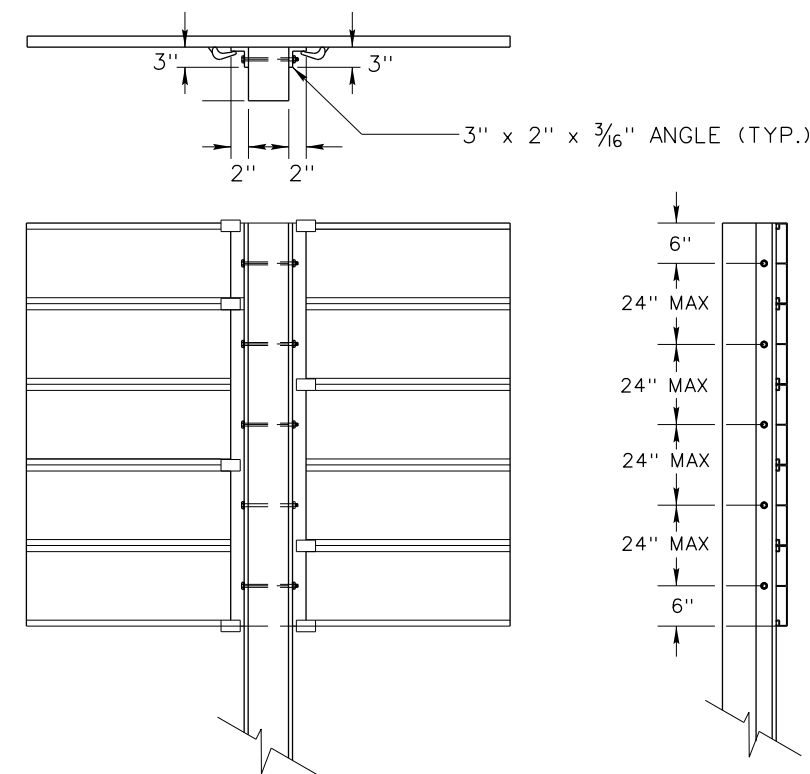
TYPICAL INSTALLATION OF MULTIPLE SIGNS WITH BRACE ANGLES



TYPICAL INSTALLATION OF SIGNS WITH BRACE ANGLES



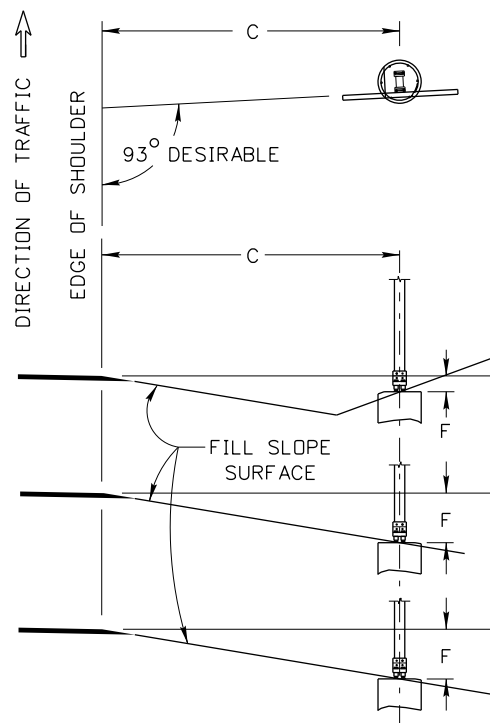
TYPICAL INSTALLATION OF SIGNS WITHOUT BRACE ANGLES



TYPICAL INSTALLATION EXTRUDED ALUMINUM SIGNS

LEGEND

- C DISTANCE FROM EDGE OF SHOULDER TO CENTER LINE OF FIRST POST.
- E THE HEIGHT ABOVE THE EDGE OF FINISHED SHOULDER TO THE BOTTOM OF LOWER SIGN.
- F VERTICAL DISTANCE FROM TOP OF FOUNDATION TO THE ELEVATION OF THE EDGE OF THE SHOULDER.
- G THE DISTANCE FROM THE TOP OF THE FOUNDATION TO THE BOTTOM OF THE LOWER SIGN.
- H THE OVERALL HEIGHT OF SIGNS.
- P TOTAL POST LENGTH.



TYPICAL SIGN ORIENTATION

NOTES (CONTINUED)

- 9. REFER TO STANDARD DRAWINGS I-9-A-1, I-9-A-2, I-9-B. AND I-9-C FOR CLIP AND BRACE ANGLE DETAILS.
- 10. REFER TO STANDARD DRAWING I-10-A FOR INSTALLATION OF EXTRUDED ALUMINUM SIGN PANELS.
- 11. REFER TO STANDARD DRAWING I-12-F FOR HOLE SPACING.
- 12. DRAWING NOT TO SCALE.

REVISIONS								
NO.	DATE	BY	NO.	DATE	BY	NO.	DATE	BY

SCALES SHOWN ARE FOR 11" X 17" PRINTS ONLY  
 CADD FILE NAME: 616-6\_1216.dgn  
 DRAWING DATE: DECEMBER, 2016

**IDAHO TRANSPORTATION DEPARTMENT**



BOISE IDAHO

ORIGINAL SIGNED BY: TED MASON  
 DESIGN/TRAFFIC SERVICES ENGINEER

STANDARD DRAWING  
**BREAKAWAY STEEL SIGN POST INSTALLATION TYPE B**  
 REQUIRES SHEET 1 OF 2

ORIGINAL STORED AT: ITD, Headquarters 3311 West State Boise, Idaho

**English**

STANDARD DRAWING NO.  
**616-6**

SHEET 2 OF 2

ORIGINAL SIGNED BY:  
 RYAN D. LANCASTER  
 DATE ORIGINAL SIGNED:  
 DECEMBER 6, 2016