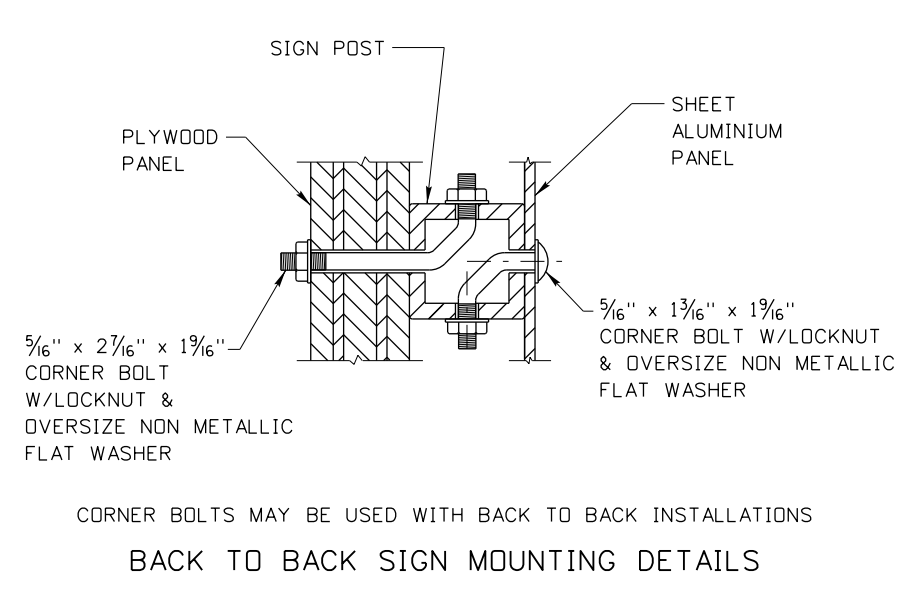
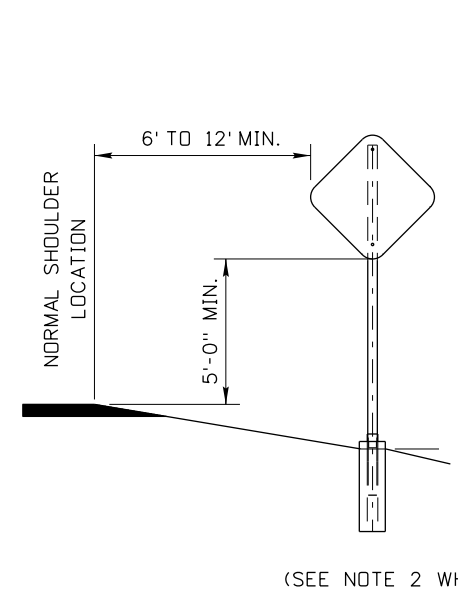


URBAN LOCATIONS WITH CURB AND GUTTER

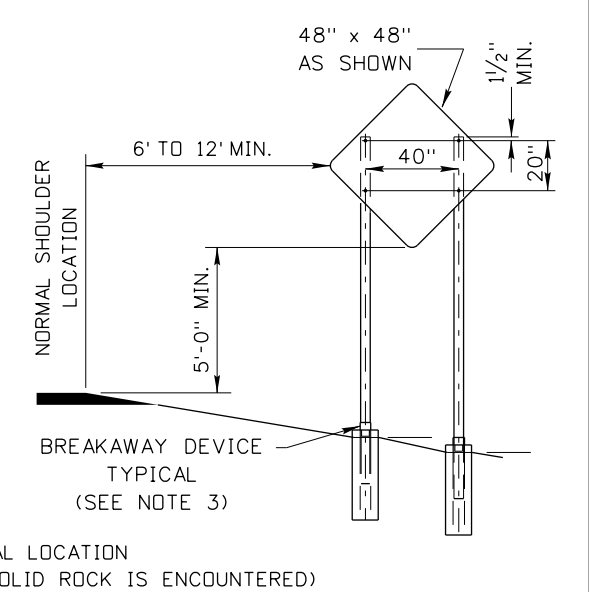
SIGN HEIGHT AND LATERAL LOCATION



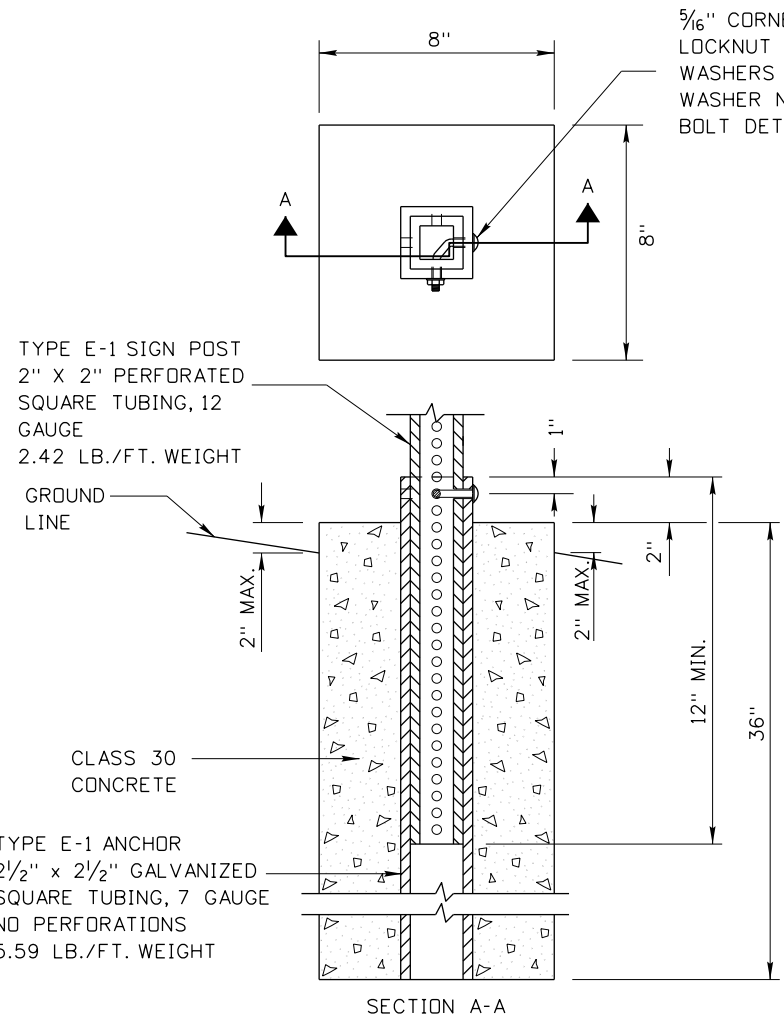
BACK TO BACK SIGN MOUNTING DETAILS



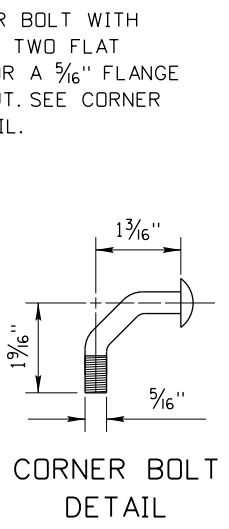
RURAL LOCATION
(SEE NOTE 2 WHEN SOLID ROCK IS ENCOUNTERED)



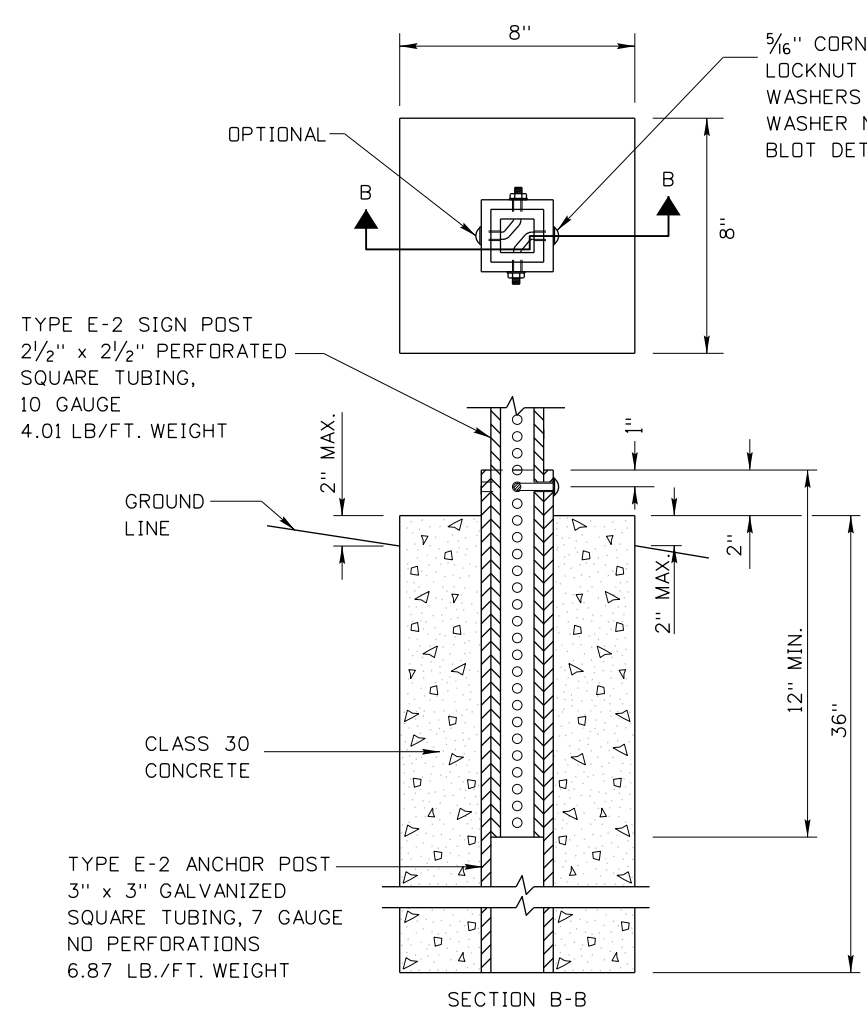
SIGN HEIGHT AND LATERAL LOCATION



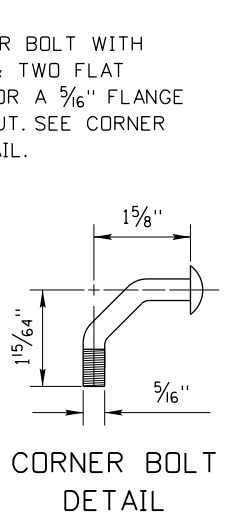
2" X 2" SIGN POST INSTALLATION DETAILS



CORNER BOLT DETAIL



2 1/2" X 2 1/2" SIGN POST INSTALLATION DETAILS



CORNER BOLT DETAIL

NOTES

1. ENSURE THAT THE BOTTOM OF ANCHOR IS BE KEPT OPEN TO DRAIN.
2. INSTALL SIGN POST AND ANCHOR IN FOUNDATION OR GROUT INTO SOLID ROCK. ENSURE THAT THE 2" X 2" POST INSTALLATIONS ARE EMBEDDED 18" ONTO SOLID ROCK AND 2 1/2" X 2 1/2" POST INSTALLATIONS ARE EMBEDDED 24" INTO SOLID ROCK.
3. REFER TO ITD QUALIFIED PRODUCTS LIST FOR BREAKAWAY DEVICES.
4. DO NOT USE BRACE ANGLES.
5. DRAWING NOT TO SCALE.

REVISIONS							
NO.	DATE	BY	NO.	DATE	BY	NO.	DATE
1	02-92	JEC	6	05-15	HEB		
2	12-94	HEB	7	12-16	HEB		
3	06-99	HEB					
4	12-01	NQB					
5	12-13	HEB					

SCALES SHOWN ARE FOR 11" X 17" PRINTS ONLY
CADD FILE NAME: 616-7_1216.dgn
DRAWING DATE: JULY, 1991

IDAHO TRANSPORTATION DEPARTMENT



BOISE IDAHO

ORIGINAL SIGNED BY: TED MASON
DESIGN/TRAFFIC SERVICES ENGINEER

STANDARD DRAWING
BREAKAWAY STEEL SIGN POSTS TYPE E

ORIGINAL STORED AT: ITD, Headquarters 3311 West State Boise, Idaho

English

STANDARD DRAWING NO.
616-7

SHEET 1 OF 1

ORIGINAL SIGNED BY:
RYAN D. LANCASTER
DATE ORIGINAL SIGNED:
JANUARY 9, 2017