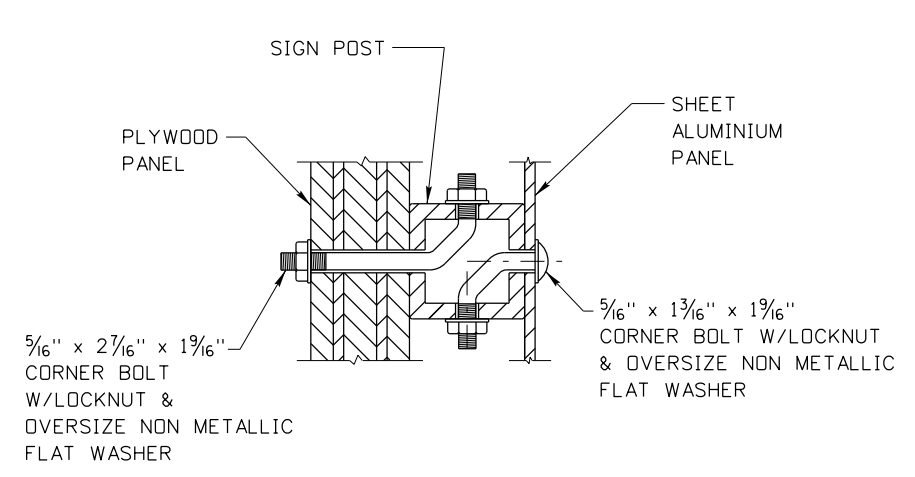
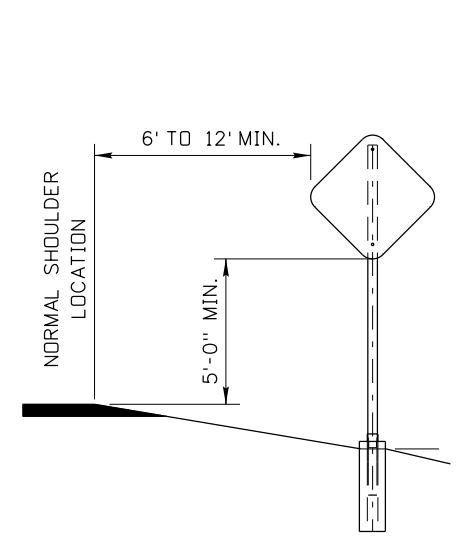


URBAN LOCATIONS WITH CURB AND GUTTER

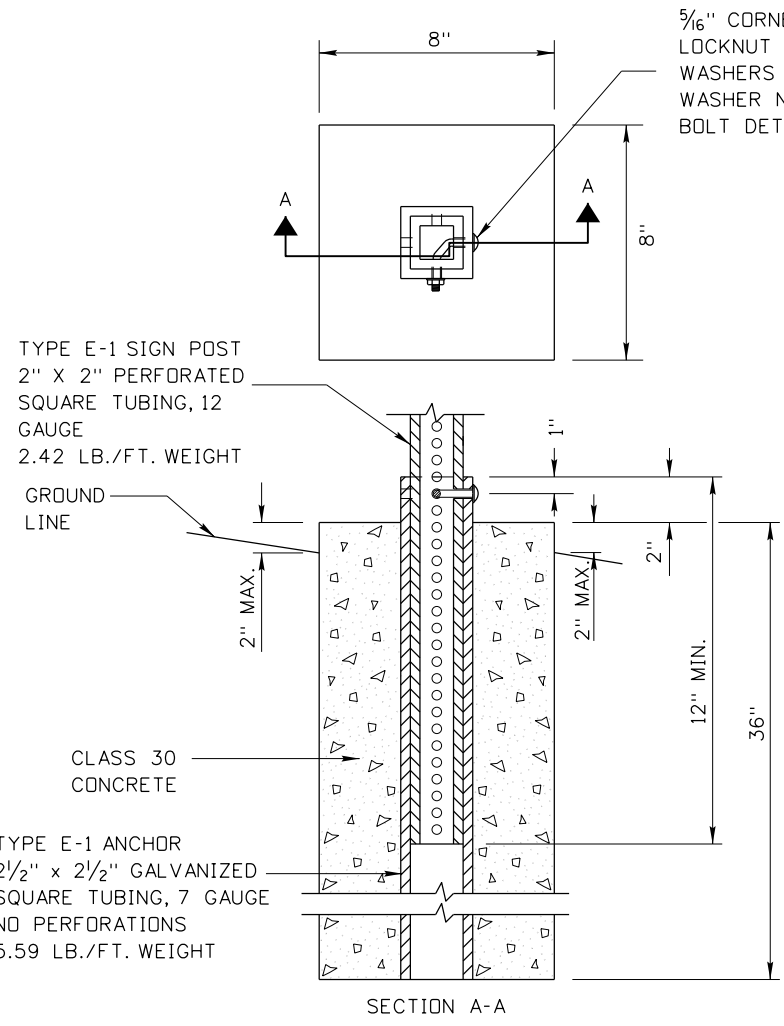
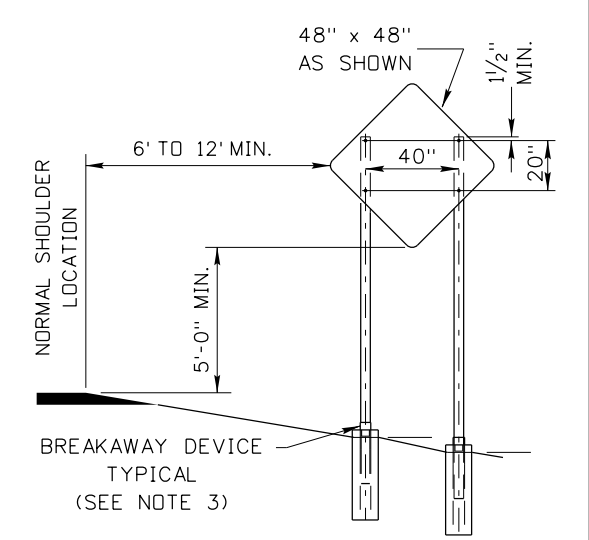
SIGN HEIGHT AND LATERAL LOCATION



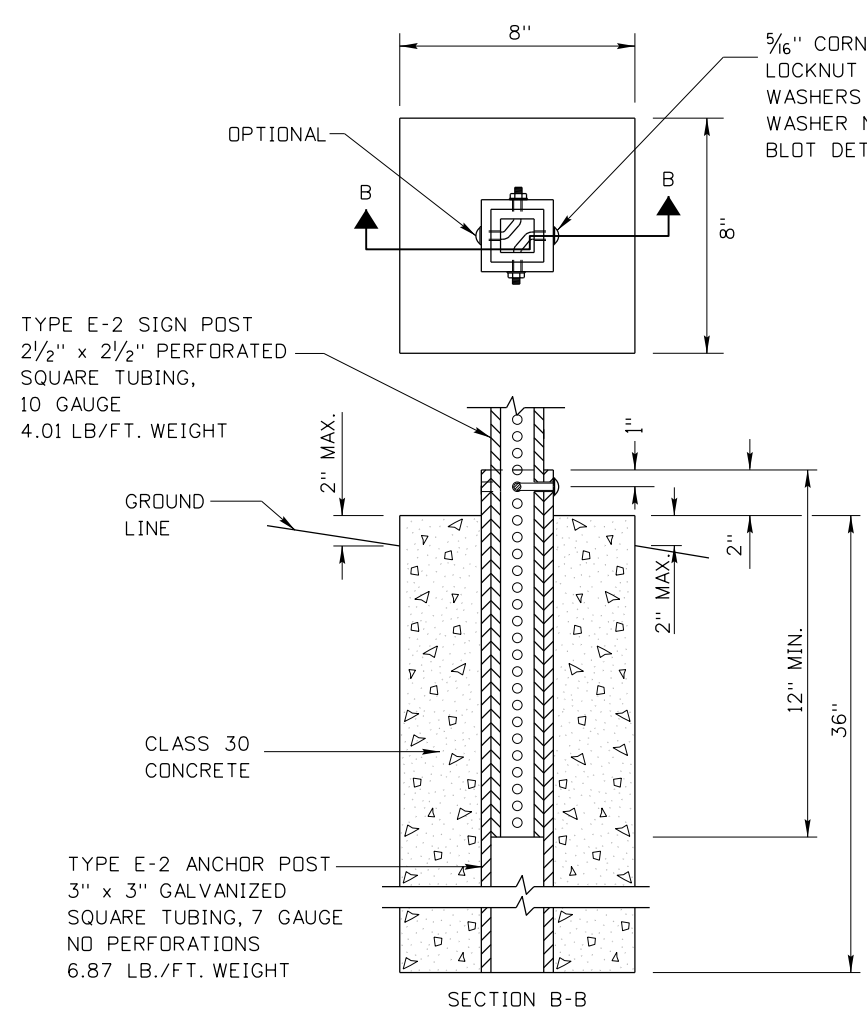
CORNER BOLTS MAY BE USED WITH BACK TO BACK INSTALLATIONS  
BACK TO BACK SIGN MOUNTING DETAILS



RURAL LOCATION  
(SEE NOTE 2 WHEN SOLID ROCK IS ENCOUNTERED)  
SIGN HEIGHT AND LATERAL LOCATION



2" X 2" SIGN POST INSTALLATION DETAILS



1 1/2" X 2 1/2" SIGN POST INSTALLATION DETAILS

- NOTES
1. ENSURE THAT THE BOTTOM OF ANCHOR IS BE KEPT OPEN TO DRAIN.
  2. INSTALL SIGN POST AND ANCHOR IN FOUNDATION OR GROUT INTO SOLID ROCK. ENSURE THAT THE 2" X 2" POST INSTALLATIONS ARE EMBEDDED 18" ONTO SOLID ROCK AND 2 1/2" X 2 1/2" POST INSTALLATIONS ARE EMBEDDED 24" INTO SOLID ROCK.
  3. REFER TO ITD QUALIFIED PRODUCTS LIST FOR BREAKAWAY DEVICES.
  4. DO NOT USE BRACE ANGLES.
  5. DRAWING NOT TO SCALE.

REVISIONS							
NO.	DATE	BY	NO.	DATE	BY	NO.	DATE
1	02-92	JEC	6	05-15	HEB		
2	12-94	HEB	7	12-16	HEB		
3	06-99	HEB					
4	12-01	NQB					
5	12-13	HEB					

SCALES SHOWN ARE FOR 11" X 17" PRINTS ONLY  
CADD FILE NAME: 616-7\_1216.dgn  
DRAWING DATE: JULY, 1991

**IDAHO TRANSPORTATION DEPARTMENT**

BOISE IDAHO

ORIGINAL SIGNED BY: TED MASON  
DESIGN/TRAFFIC SERVICES ENGINEER

STANDARD DRAWING  
**BREAKAWAY STEEL SIGN POSTS TYPE E**

ORIGINAL STORED AT: ITD, Headquarters 3311 West State Boise, Idaho

**English**

STANDARD DRAWING NO. **616-7**

SHEET 1 OF 1