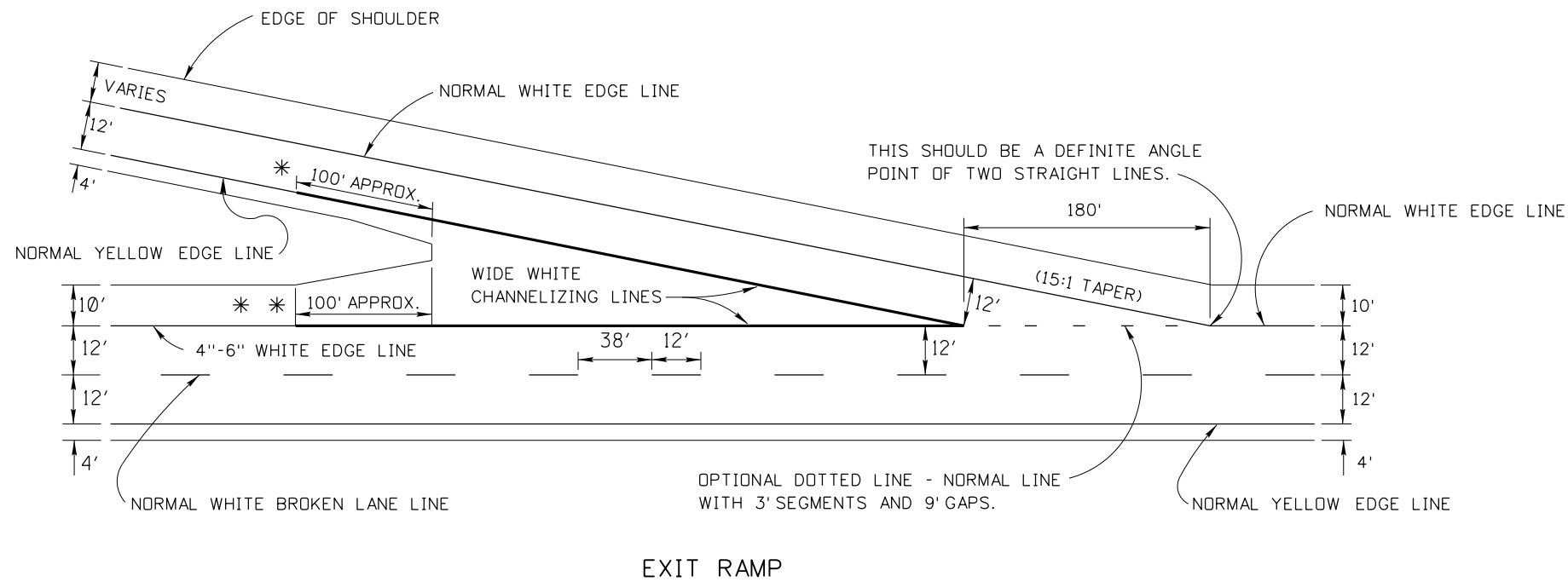


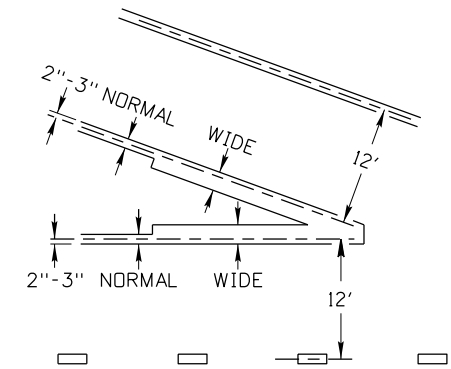
NOTES

- LINE WIDTHS
 NORMAL LONGITUDINAL LINES ARE 4 TO 6 INCHES WIDE.
 WIDE CHANNELIZATION LINES ARE AT LEAST TWICE THE WIDTH OF A NORMAL LINE.
- PAVEMENT MARKINGS WHICH WOULD FALL ON LONGITUDINAL PAVEMENT JOINTS SHOULD BE PLACED AS FOLLOWS:
 THE RIGHT EDGE LINE AND CENTER BROKEN LANE LINE (SKIP LINE) SHOULD BE OFFSET 4 INCHES TO THE LEFT SIDE OF LONGITUDINAL JOINTS IN THE DIRECTION OF TRAFFIC FLOW.
 THE LEFT EDGE LINE SHOULD BE OFFSET 4 INCHES TO THE RIGHT OF A LONGITUDINAL JOINT.
- ALL MEASUREMENTS GIVEN ARE TO THE CENTER OF THE NORMAL LINES.
 WIDE WHITE CHANNELIZING LINES ARE OFFSET AS SHOWN.
- DRAWING NOT TO SCALE.

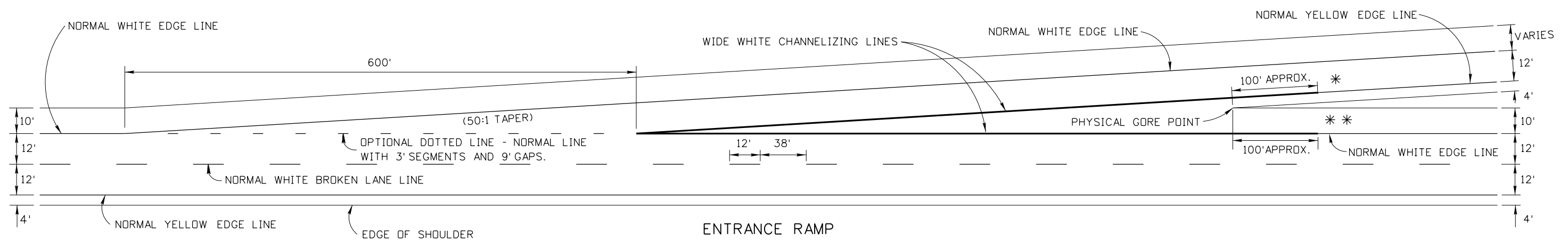


EXIT RAMP

- * LINE CHANGES FROM 4"-6" YELLOW EDGE LINE TO 8"-12" SOLID WHITE CHANNELIZING LINE.
- * * LINE CHANGES FROM 4"-6" WHITE EDGE LINE TO 8"-12" WIDE SOLID WHITE CHANNELIZING LINE.



TYPICAL DIMENSIONS FOR PAINTED GORE
 SEE NOTE 3



ENTRANCE RAMP

ORIGINAL STORED AT: ITD, Headquarters 3311 West State Boise, Idaho

ORIGINAL SIGNED BY: RYAN D. LANCASTER DATE ORIGINAL SIGNED: MAY 28, 2015

REVISIONS								
NO.	DATE	BY	NO.	DATE	BY	NO.	DATE	BY

SCALES SHOWN ARE FOR 11" X 17" PRINTS ONLY
 CADD FILE NAME: 630-2_0515.dgn
 DRAWING DATE: MAY, 2015

IDAHO TRANSPORTATION DEPARTMENT

BOISE IDAHO

ORIGINAL SIGNED BY: KEVIN SABLAN
 DESIGN/TRAFFIC SERVICES ENGINEER

STANDARD DRAWING
FREEWAY PAVEMENT MARKINGS

English
 STANDARD DRAWING NO.
630-2
 SHEET 1 OF 1