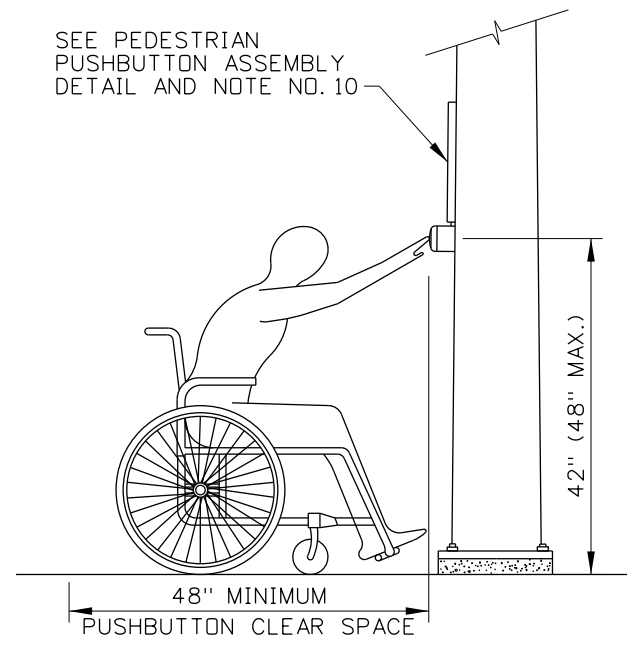
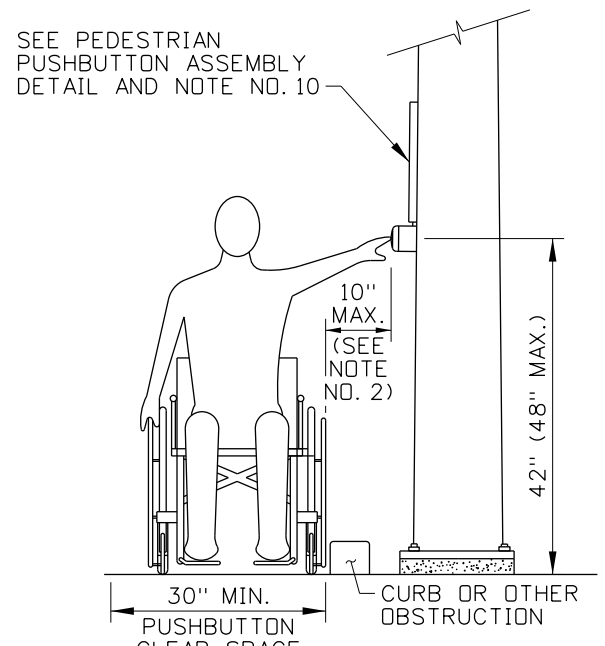


NOTES

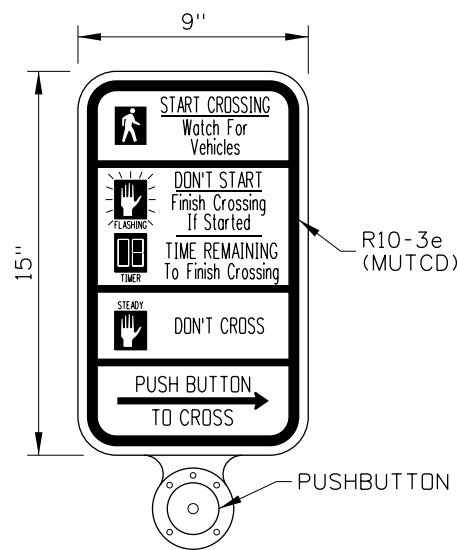
- FOUR TYPICAL CONFIGURATIONS ARE SHOWN. FOR OTHER CONFIGURATIONS, THE MAXIMUM AND MINIMUM DIMENSIONS SHOWN REMAIN APPLICABLE. WHERE CURB AND CURB RAMPS ARE NOT PRESENT, MEASURE FROM THE EDGE OF TRAVELED WAY.
- PROVIDE A PUSHBUTTON CLEAR SPACE, WITH 30" BY 48" MINIMUM DIMENSIONS, ADJACENT TO PEDESTRIAN PUSHBUTTONS. ENSURE THAT THE CLEAR SPACE SURFACE IS FIRM, STABLE, AND SLIP RESISTANT. POSITION THE CLEAR SPACE SO THE PUSHBUTTON CAN BE ACCESSED WITH EITHER A FORWARD OR PARALLEL APPROACH. AN OBSTRUCTION, UP TO 10" IN DEPTH, BETWEEN THE CLEAR SPACE AND THE PUSHBUTTON IS PERMITTED FOR A PARALLEL APPROACH. WHERE CURB RAMPS ARE USED, THE TURNING SPACE FOR THE CURB RAMP MAY DOUBLE AS THE CLEAR SPACE.
- PLACE PUSHBUTTON BETWEEN THE EDGE OF THE CROSSWALK LINE (EXTENDED) FARTHEST FROM THE CENTER OF THE INTERSECTION AND THE SIDE OF A CURB RAMP (IF PRESENT), BUT NOT MORE THAN 5' FROM THE SAID CROSSWALK LINE.
- PLACE PUSHBUTTON BEHIND THE FACE OF CURB OR OUTSIDE THE EDGE OF TRAVELED WAY A MINIMUM DISTANCE OF 1'-6" AND A MAXIMUM DISTANCE OF 10'.
- ENSURE THAT THE FACE OF THE PUSHBUTTON IS PARALLEL TO THE CROSSWALK TO BE USED.
- MOUNT THE PUSHBUTTON 42" ABOVE THE CLEAR SPACE. THE MAXIMUM MOUNTING HEIGHT IS 48".
- PROVIDE A MINIMUM DISTANCE OF 10' BETWEEN PEDESTRIAN PUSHBUTTONS. WHERE THERE ARE PHYSICAL CONSTRAINTS ON A PARTICULAR CORNER THAT MAKE IT IMPRACTICAL TO PROVIDE THE 10' SEPARATION BETWEEN THE TWO PEDESTRIAN PUSHBUTTONS, THE PUSHBUTTONS MAY BE PLACED CLOSER TOGETHER OR ON THE SAME POLE.
- PUSHBUTTONS MAY BE INSTALLED ON A SIGNAL POLE OR PEDESTRIAN PUSHBUTTON POLES. ENSURE THAT POLES WITHIN 10' OF THE FACE OF CURB OR EDGE OF TRAVELED WAY HAVE BREAKAWAY FEATURES.
- INSTALL ACCESSIBLE PEDESTRIAN SIGNALS WHEN RECOMMENDED BY AN ENGINEERING STUDY.
- USE MODULAR OR CAST PEDESTRIAN PUSHBUTTON ASSEMBLIES. DO NOT USE H FRAME PEDESTRIAN PUSHBUTTON ASSEMBLIES. USE THE R10-3e(MUTCD) SIGN ON THE PUSHBUTTON ASSEMBLY.
- CROSSWALK MARKINGS MAY VARY.
- DRAWINGS NOT TO SCALE.



FORWARD APPROACH
SEE NOTE NOS. 2 & 6



PARALLEL APPROACH
SEE NOTE NOS. 2 & 6



PEDESTRIAN PUSHBUTTON ASSEMBLY DETAIL
SEE NOTE NO. 10

REVISIONS							
NO.	DATE	BY	NO.	DATE	BY	NO.	DATE

SCALES SHOWN ARE FOR 11" X 17" PRINTS ONLY

CADD FILE NAME: 656-15_0614.dgn

DRAWING DATE: MAY, 2014

IDAHO TRANSPORTATION DEPARTMENT

BOISE IDAHO

ORIGINAL SIGNED BY: CARL D. MAIN
DESIGN/TRAFFIC SERVICES ENGINEER

STANDARD DRAWING

PEDESTRIAN PUSHBUTTON PLACEMENT

English

STANDARD DRAWING NO. **656-15**

SHEET 1 OF 1

ORIGINAL STORED AT: ITD, Headquarters 3311 West State Boise, Idaho

ORIGINAL SIGNED BY: RYAN D. LANCASTER
DATE: JUNE 17, 2014