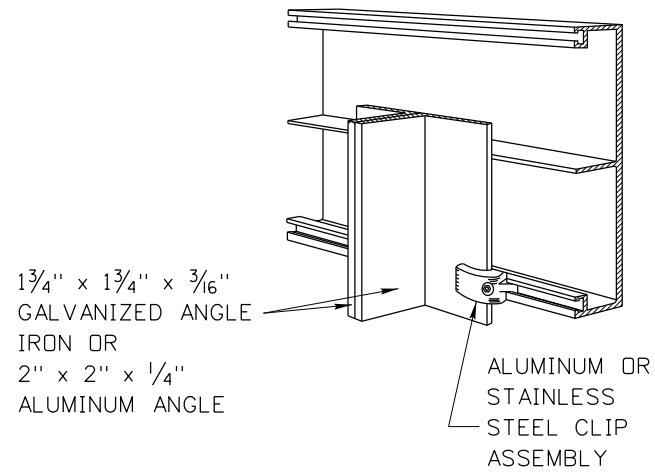


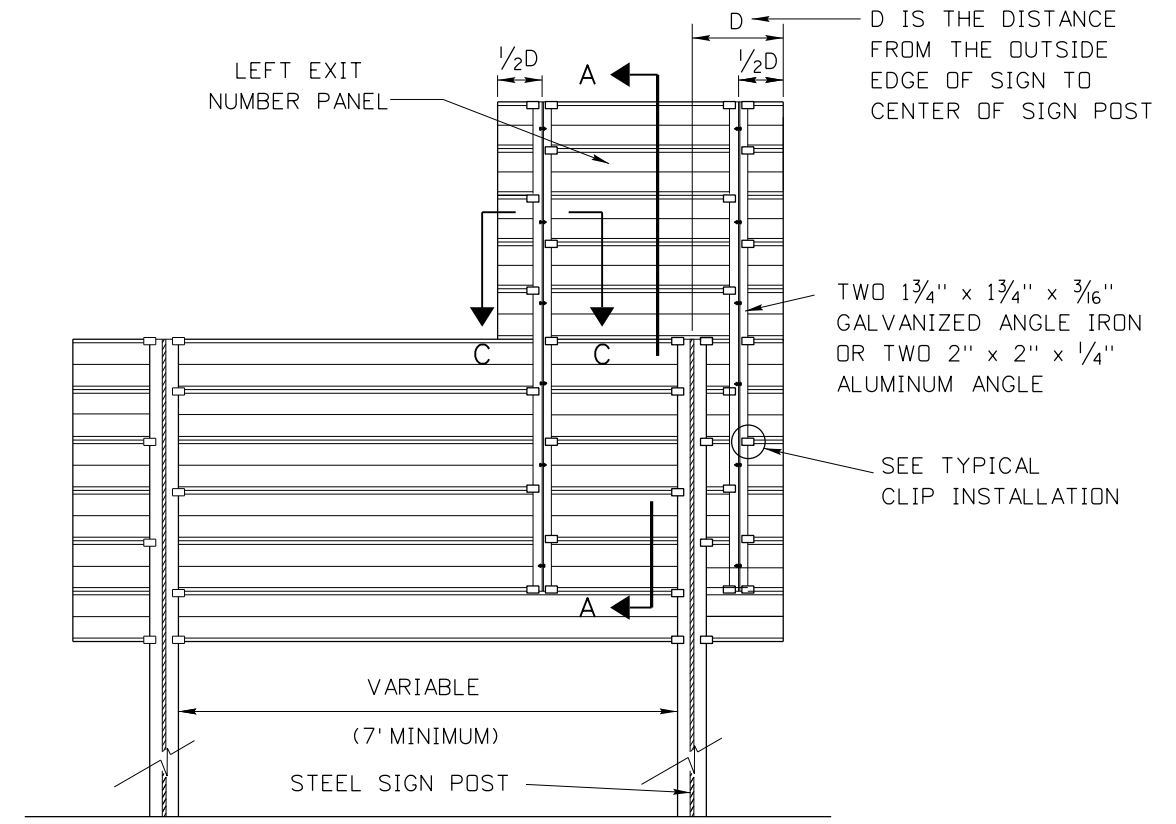
RIGHT EXIT PANEL



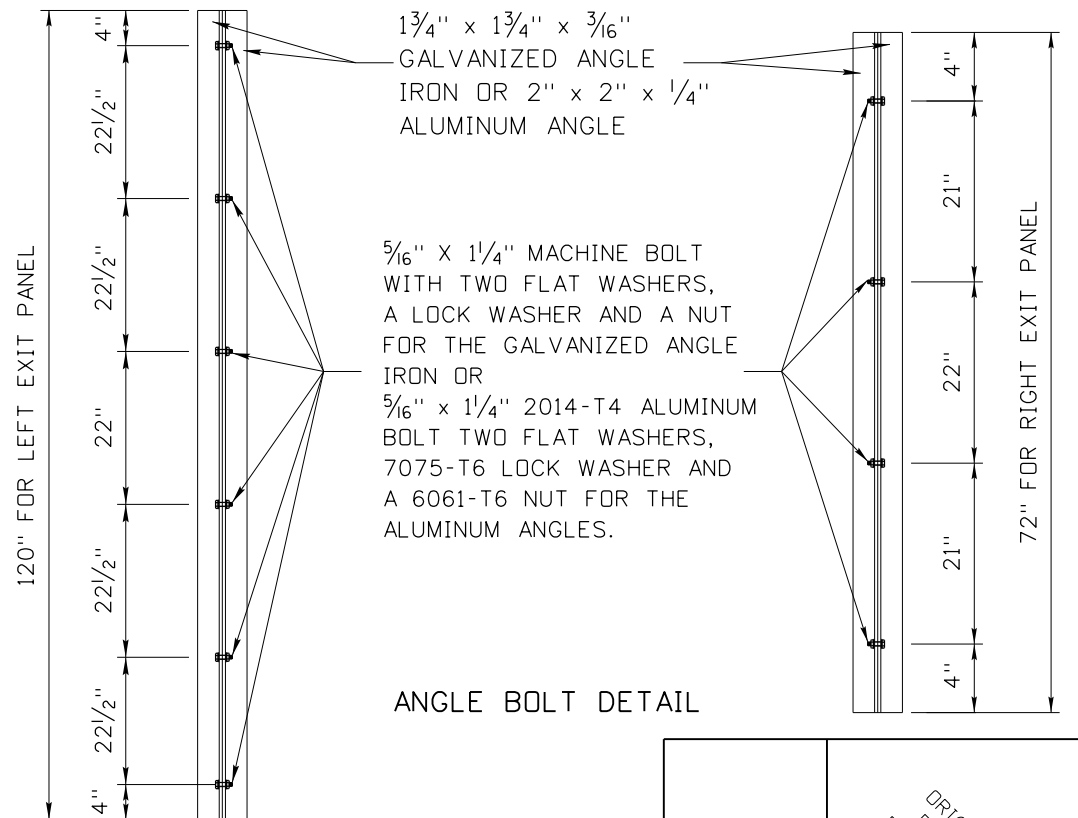
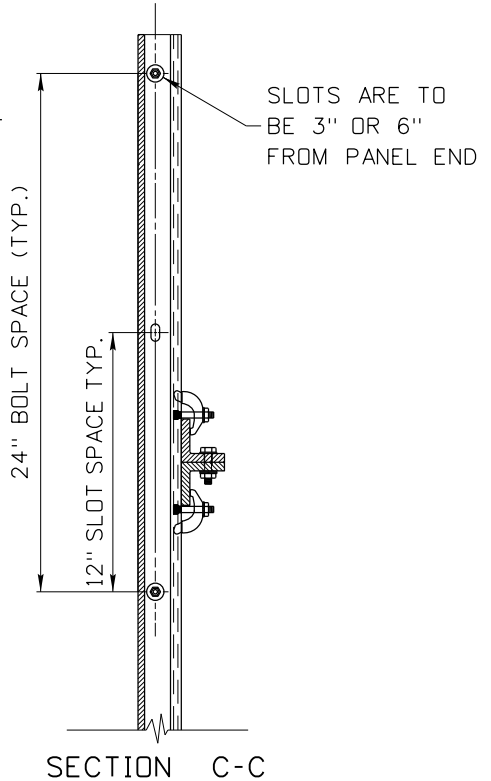
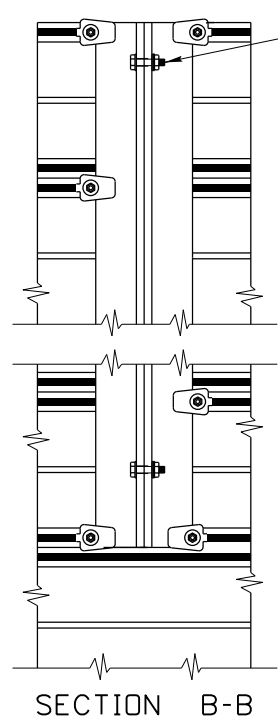
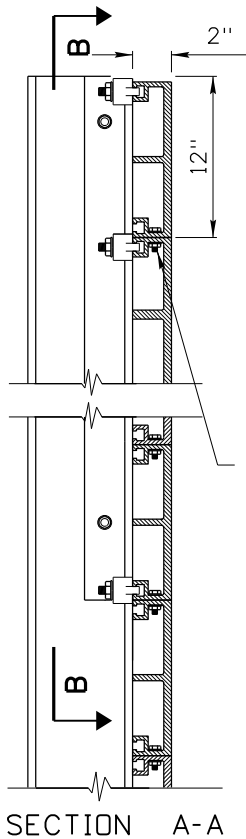
TYPICAL CLIP INSTALLATION

NOTES:

1. SEE STANDARD DRAWING I-10-A FOR INSTALLATION DETAILS.
2. 1 3/4" x 1 3/4" x 3/16" ANGLE IRON WEIGHS 2.12 LBS/FT. WEIGHT OF ANGLE IRON DOES NOT INCLUDE GALVANIZING.
3. 2" x 2" x 1/4" ALUMINUM ANGLE WEIGHS 1.11 LBS/FT.
4. DRAWING NOT TO SCALE



LEFT EXIT PANEL



REVISIONS								
NO.	DATE	BY	NO.	DATE	BY	NO.	DATE	BY
1	12-01	NQB						
2	01-04	HEB						
3	12-07	HEB						
4	07-12	HEB						
5	11-14	HEB						

SCALES SHOWN ARE FOR 11" X 17" PRINTS ONLY

CADD FILE NAME: i10A1114.std

DRAWING DATE: DECEMBER, 1993

IDAHO TRANSPORTATION DEPARTMENT



BOISE IDAHO

ORIGINAL SIGNED BY: CARL D. MAIN for STANDARDS ENGINEER

STANDARD DRAWING

EXIT NUMBER PANELS

REQUIRES STD. DWG. I-10-A

English

STANDARD DRAWING NO. I-10-B

SHEET 1 OF 1

ORIGINAL SIGNED BY: RYAN D. LANCASTER
DATE ORIGINAL SIGNED: NOVEMBER 25, 2014