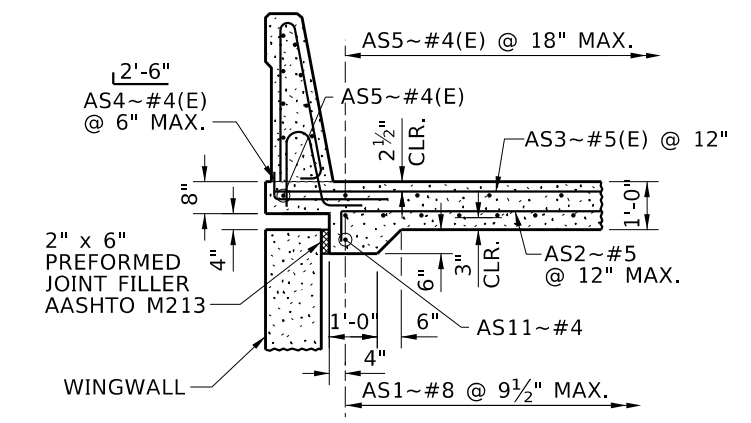
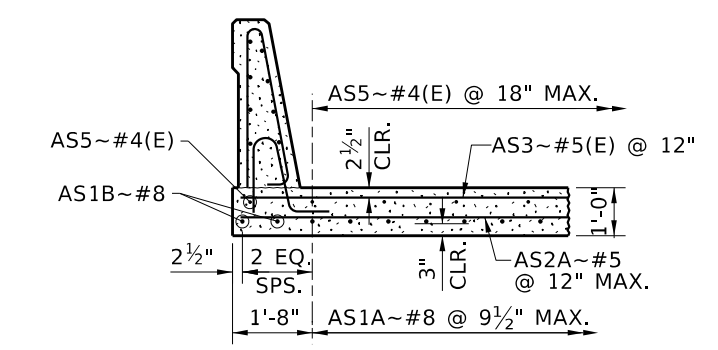


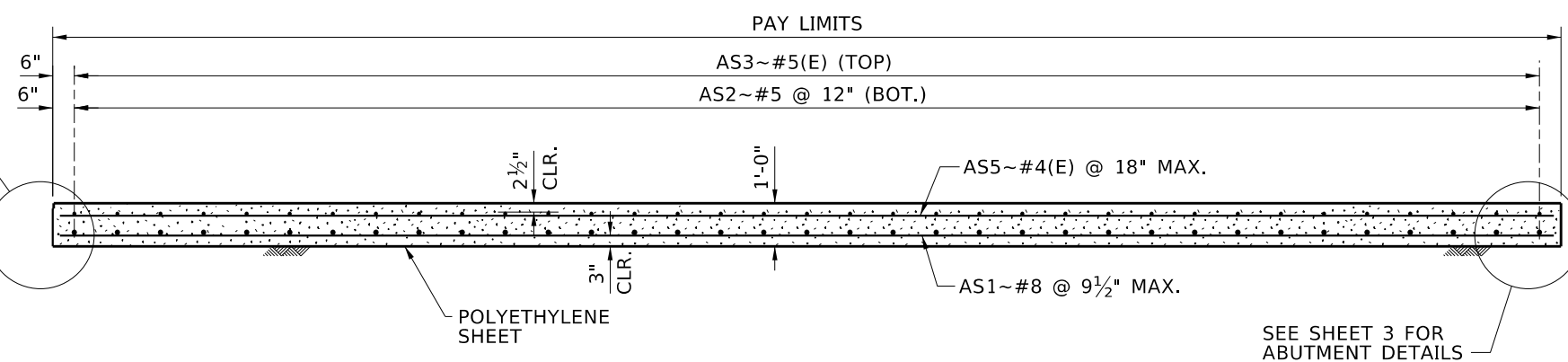
APPROACH SLAB - PLAN
1/4" = 1'-0"



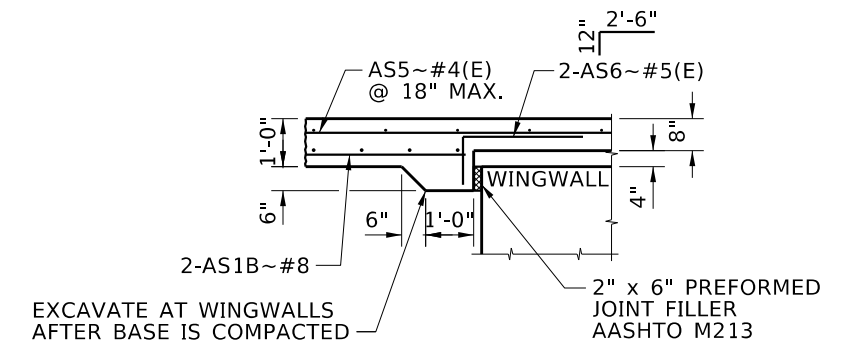
SECTION A-A
1/4" = 1'-0"



SECTION B-B
1/4" = 1'-0"



SECTION C-C
1/4" = 1'-0"



VIEW D-D
1/4" = 1'-0"

NOTE TO DESIGNER
SHOW NORTH ARROW IN APPROACH SLAB PLAN.
REFER TO BDM 2.5.2.4.

REVISIONS			
NO.	DATE	BY	DESCRIPTION

DESIGNED	SCALES SHOWN ARE FOR 11" X 17" PRINTS ONLY CADD FILE NAME: Standards/Bridge Standard Drawings/B02_IB.DGN DRAWING DATE: OCT 2023
DESIGN CHECKED	
DETAILED	
DWG. CHECKED	
CORRECTIONS	

IDAHO TRANSPORTATION DEPARTMENT

YOUR Safety → YOUR Mobility → YOUR Economic Opportunity

APPROVED BY: BRIDGE ENGINEER **MICHAEL T. JOHNSON** DATE: _____

ENGLISH
PROJECT NO. _____

APPROACH SLAB DETAILS - SHEET 1

SKIEW > 0° (45° MAX.)
BRIDGE LRFD DESIGN MANUAL, B2.1B

BRIDGE PLANS	
BRIDGE KEY NO.	
COUNTY	KEY NO.
BRIDGE DWG. NO.	SHEET OF