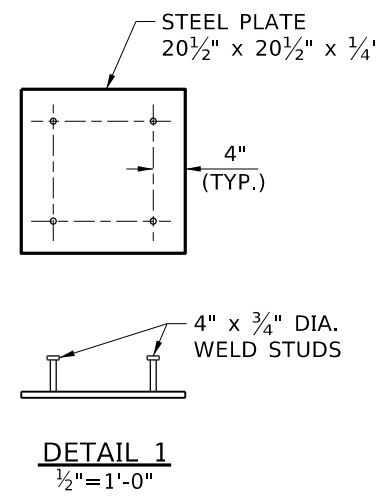
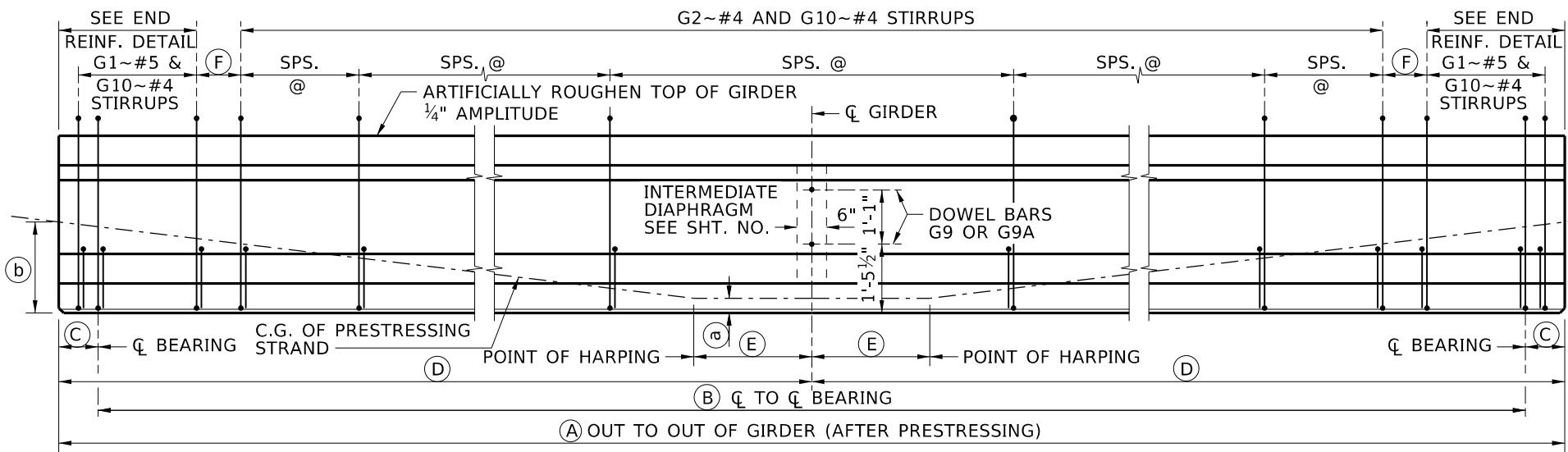


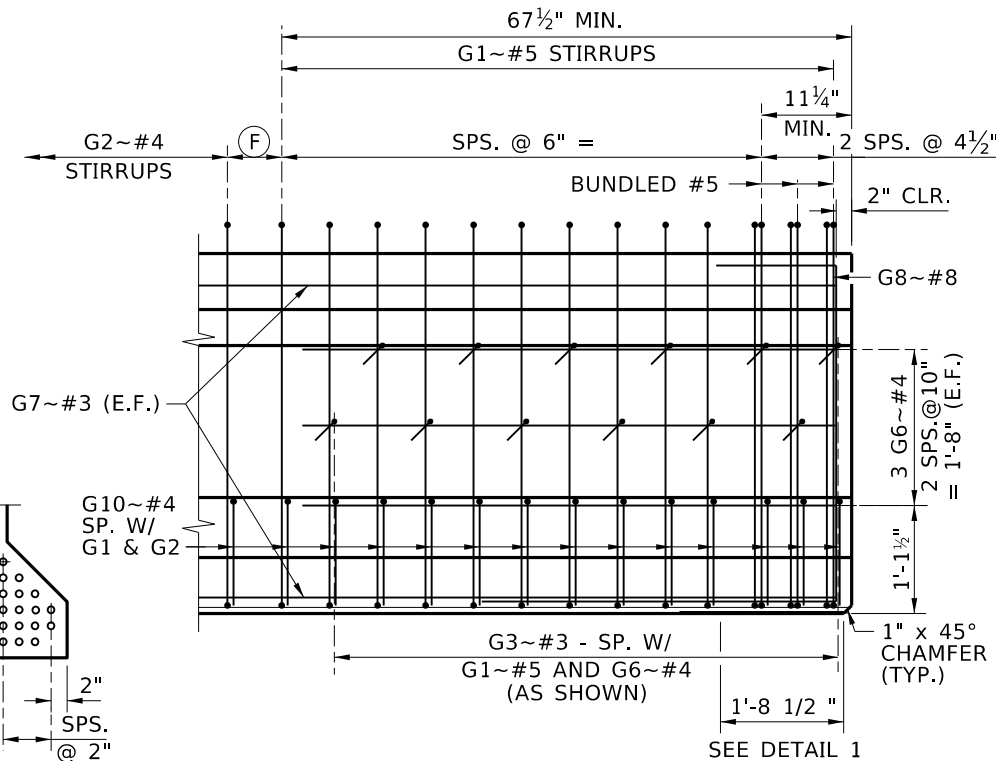
PRESTRESSED GIRDER SCHEDULE

GIRDERS		PRESTRESS FORCE ~ KIPS		PRESTRESS LOSSES ~ KSI		CONCRETE STRENGTH ~ KSI		GIRDER DIMENSIONS						END DETAIL		C.G. OF STRAND			
NO.	LOCATION	INITIAL BEFORE LOSSES	FINAL AFTER LOSSES	IMMEDIATE LOSSES	FINAL TOTAL LOSSES	AT RELEASE f'ci	AT 28 DAYS f'c	(A)	(B)	(C)		(D)		(E)	(F)	LEFT	RIGHT	(b) GIRDER END	(a) MID SPAN
										LEFT	RIGHT	LEFT	RIGHT						

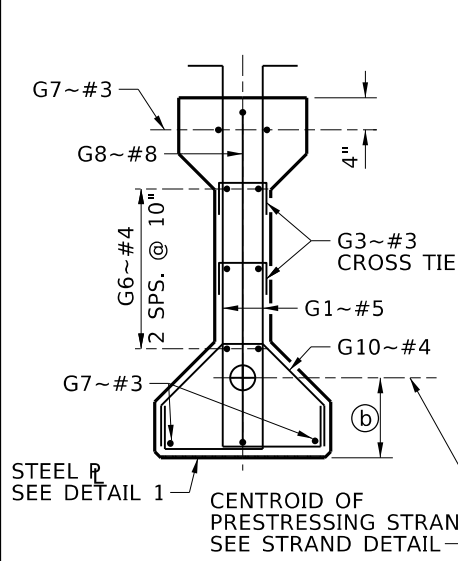
REINFORCEMENT DIAGRAM			
AASHTO M31 GRADE 60 TYPE S			
MARK	SIZE	GRADE	SKETCH
G1*	#5	60	
G2*	#4	60	
G3*	#3	60	
G4	#5	60	
G4A	#5	60	
G5	#6	60	
G5A	#6	60	
G6	#4	60	
G7	#3	60	
G8	#8	60	
G9	#4	60	
G9A	#4	60	
G10*	#4	60	



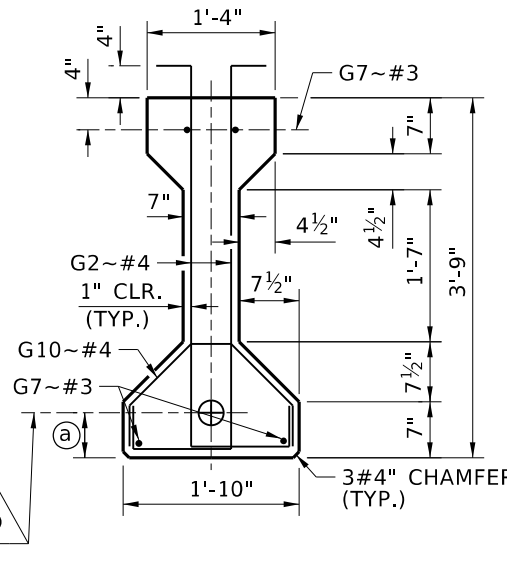
GIRDER ELEVATION AND STIRRUP LAYOUT
3/8" = 1'-0"



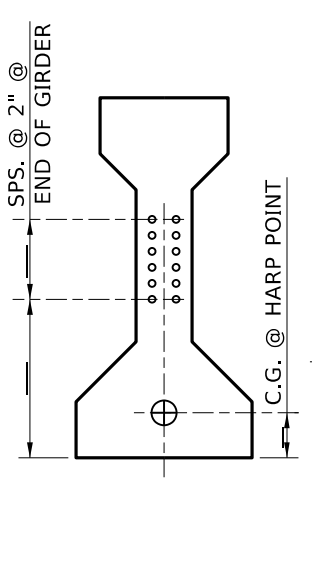
END REINFORCEMENT DETAIL
1/2" = 1'-0"



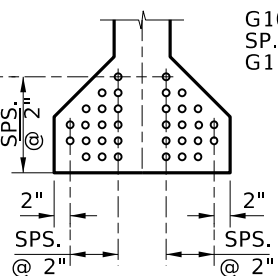
SECTION AT END OF GIRDER
1/2" = 1'-0"



SECTION AT Q SPAN
1/2" = 1'-0"



STRAND DETAIL
1/2" = 1'-0"



STRAIGHT STRAND

NOTES

- DIMENSIONS TO STIRRUPS AND DOWEL BARS ARE GIVEN AT Q OF GIRDER.
- SEE PRESTRESSED GIRDER GENERAL DETAILS AND PRESTRESSED AASHTO GIRDER DETAILS SHEETS FOR NOTES, DIAPHRAGM DOWEL DETAILS, END DETAILS AND DEFLECTION DATA.
- BEND DETAILS IN ACCORDANCE WITH LATEST ACI STANDARD PRACTICE.

* STIRRUP AND TIE HOOK BEND DIMENSIONS. STIRRUPS AND TIES MUST HAVE A MINIMUM 1" COVER OUTSIDE OF BARS.

GIRDER WEIGHT..... 583 LB/FT

REVISIONS		
NO.	DATE	DESCRIPTION

DESIGNED	SCALES SHOWN ARE FOR 11" X 17" PRINTS ONLY CADD FILE NAME Standards/Bridge Standard Drawings B05_2B.DGN DRAWING DATE: DEC 2024
DESIGN CHECKED	
DETAILED	
DWG. CHECKED	
CORRECTIONS	

IDAHO TRANSPORTATION DEPARTMENT
 YOUR Safety → YOUR Mobility → YOUR Economic Opportunity
 APPROVED BY: BRIDGE ENGINEER **MICHAEL T. JOHNSON** DATE:

ENGLISH PROJECT NO.

AASHTO TYPE III PRESTRESSED GIRDER

BRIDGE LRFD DESIGN MANUAL B5.2B

BRIDGE PLANS	
BRIDGE KEY NO.	
COUNTY	KEY NO.
BRIDGE DWG. NO.	SHEET OF