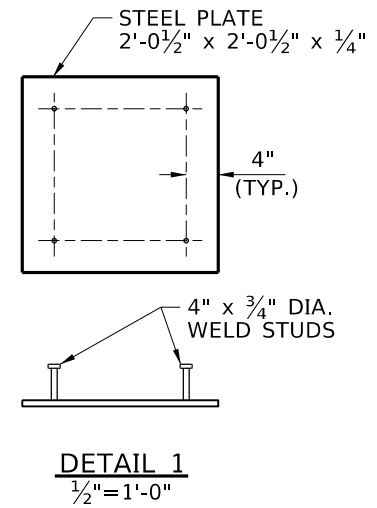
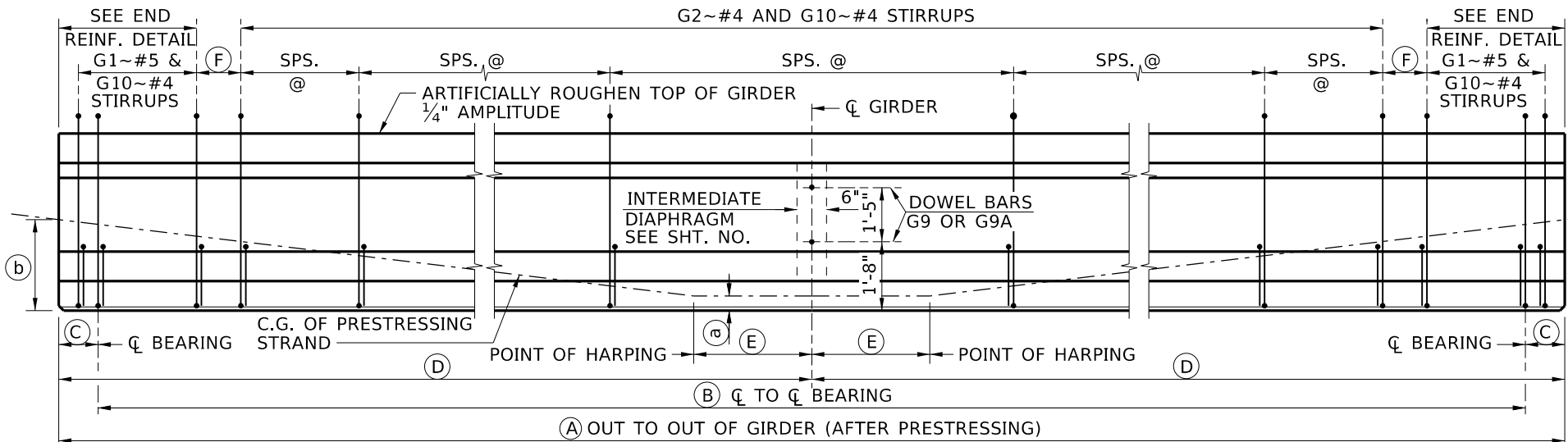


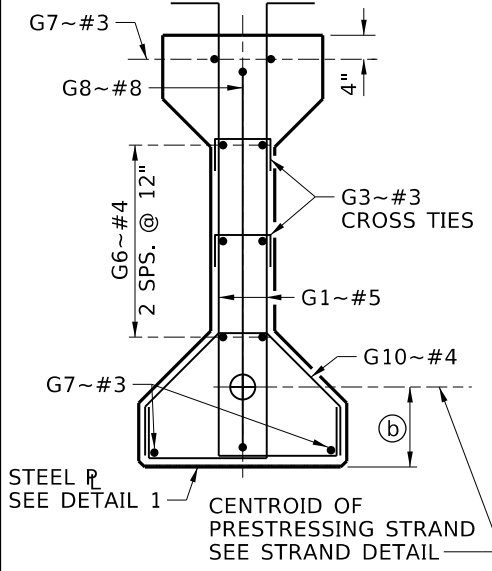
PRESTRESSED GIRDER SCHEDULE

| GIRDERS |          | PRESTRESS FORCE ~ KIPS |                    | PRESTRESS LOSSES ~ KSI |                    | CONCRETE STRENGTH ~ KSI |                | GIRDER DIMENSIONS |     |      |       |      |       | END DETAIL |     | C.G. OF STRAND |       |                |              |
|---------|----------|------------------------|--------------------|------------------------|--------------------|-------------------------|----------------|-------------------|-----|------|-------|------|-------|------------|-----|----------------|-------|----------------|--------------|
| NO.     | LOCATION | INITIAL BEFORE LOSSES  | FINAL AFTER LOSSES | IMMEDIATE LOSSES       | FINAL TOTAL LOSSES | AT RELEASE f'ci         | AT 28 DAYS f'c | (A)               | (B) | (C)  |       | (D)  |       | (E)        | (F) | LEFT           | RIGHT | (b) GIRDER END | (a) MID SPAN |
|         |          |                        |                    |                        |                    |                         |                |                   |     | LEFT | RIGHT | LEFT | RIGHT |            |     |                |       |                |              |
|         |          |                        |                    |                        |                    |                         |                |                   |     |      |       |      |       |            |     |                |       |                |              |
|         |          |                        |                    |                        |                    |                         |                |                   |     |      |       |      |       |            |     |                |       |                |              |
|         |          |                        |                    |                        |                    |                         |                |                   |     |      |       |      |       |            |     |                |       |                |              |

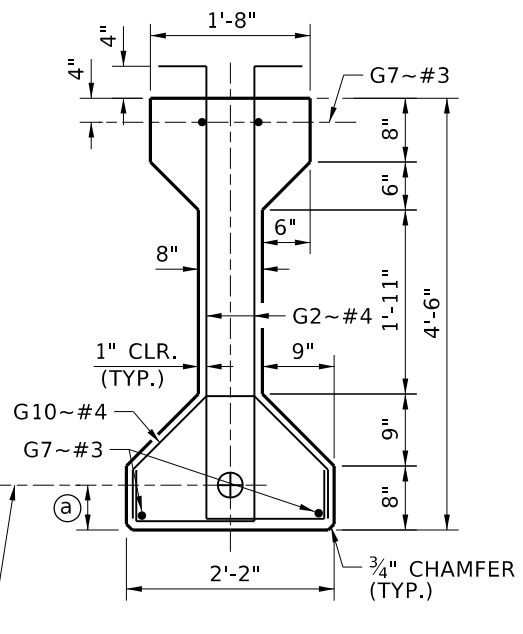
| REINFORCEMENT DIAGRAM      |      |       |        |
|----------------------------|------|-------|--------|
| AASHTO M31 GRADE 60 TYPE S |      |       |        |
| MARK                       | SIZE | GRADE | SKETCH |
| G1*                        | #5   | 60    |        |
| G2*                        | #4   | 60    |        |
| G3*                        | #3   | 60    |        |
| G4                         | #5   | 60    |        |
| G4A                        | #5   | 60    |        |
| G5                         | #6   | 60    |        |
| G5A                        | #6   | 60    |        |
| G6                         | #4   | 60    |        |
| G7                         | #3   | 60    |        |
| G8                         | #8   | 60    |        |
| G9                         | #4   | 60    |        |
| G9A                        | #4   | 60    |        |
| G10*                       | #4   | 60    |        |



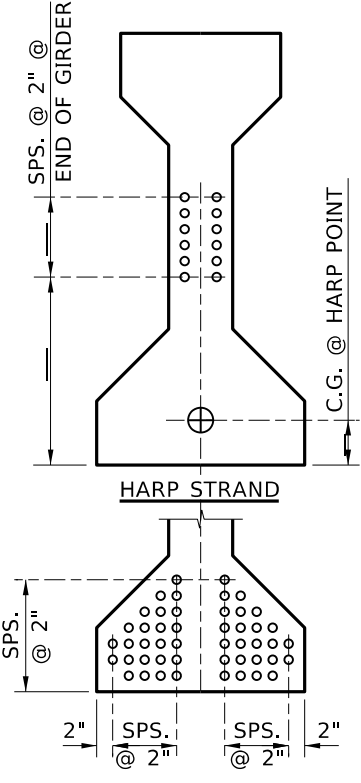
GIRDER ELEVATION AND STIRRUP LAYOUT NTS



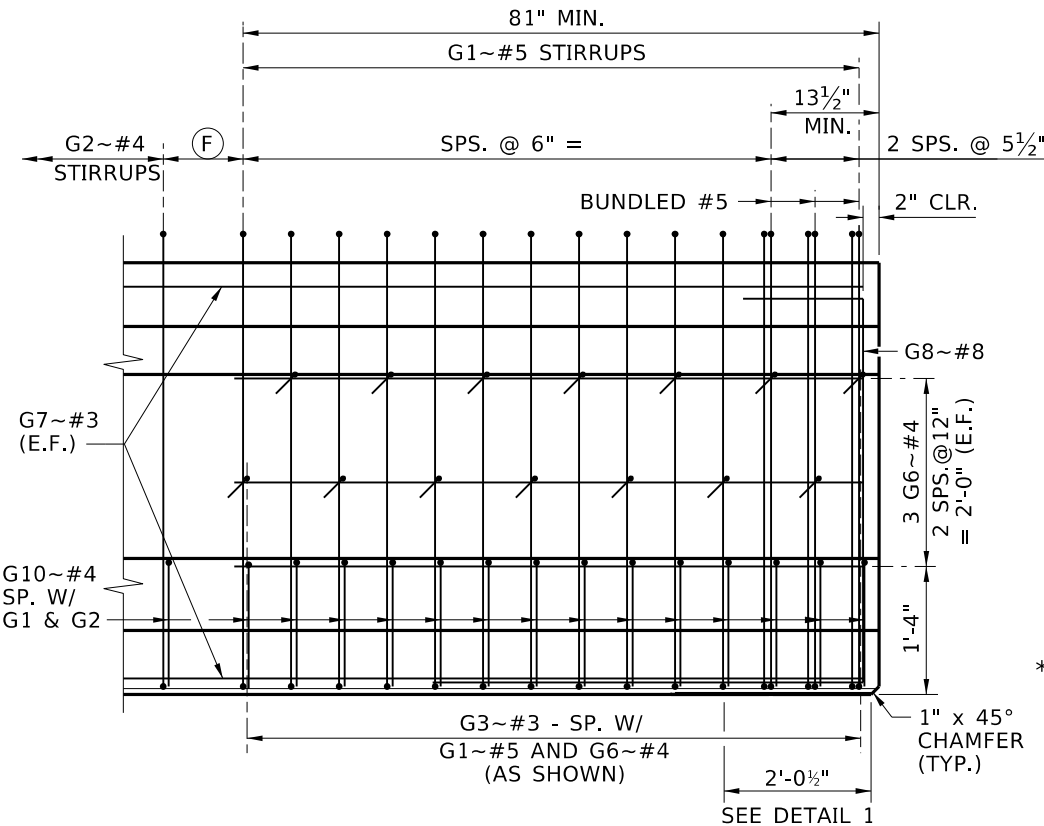
SECTION AT END OF GIRDER 1/2"=1'-0"



SECTION AT CL SPAN 1/2"=1'-0"



STRAIGHT STRAND STRAND DETAIL 1/2"=1'-0"



END REINFORCEMENT DETAIL 1/2"=1'-0"

- NOTES**
1. DIMENSIONS TO STIRRUPS AND DOWEL BARS ARE GIVEN AT CL OF GIRDER.
  2. SEE PRESTRESSED GIRDER GENERAL DETAILS AND PRESTRESSED AASHTO GIRDER DETAILS SHEETS FOR NOTES, DIAPHRAGM DOWEL DETAILS, END DETAILS AND DEFLECTION DATA.
  3. BEND DETAILS IN ACCORDANCE WITH LATEST ACI STANDARD PRACTICE.

\* STIRRUP AND TIE HOOK BEND DIMENSIONS. STIRRUPS AND TIES MUST HAVE A MINIMUM 1" COVER OUTSIDE OF BARS.

GIRDER WEIGHT ..... 822 LB/FT

| REVISIONS |      |             |
|-----------|------|-------------|
| NO.       | DATE | DESCRIPTION |
|           |      |             |
|           |      |             |
|           |      |             |
|           |      |             |

|                |  |
|----------------|--|
| DESIGNED       | SCALES SHOWN ARE FOR 11" X 17" PRINTS ONLY |
| DESIGN CHECKED | CADD FILE NAME                             |
| DETAILED       | Standards/Bridge Standard Drawings         |
| DWG. CHECKED   | B05_2C.DGN                                 |
| CORRECTIONS    | DRAWING DATE: DEC 2024                     |

**IDAHO TRANSPORTATION DEPARTMENT**

YOUR Safety→YOUR Mobility→YOUR Economic Opportunity

APPROVED BY: BRIDGE ENGINEER **MICHAEL T. JOHNSON** DATE: \_\_\_\_\_

ENGLISH PROJECT NO.

AASHTO TYPE IV PRESTRESSED GIRDER

BRIDGE LRFD DESIGN MANUAL B5.2C

|                 |          |
|-----------------|----------|
| BRIDGE PLANS    |          |
| BRIDGE KEY NO.  |          |
| COUNTY          | KEY NO.  |
| BRIDGE DWG. NO. | SHEET OF |