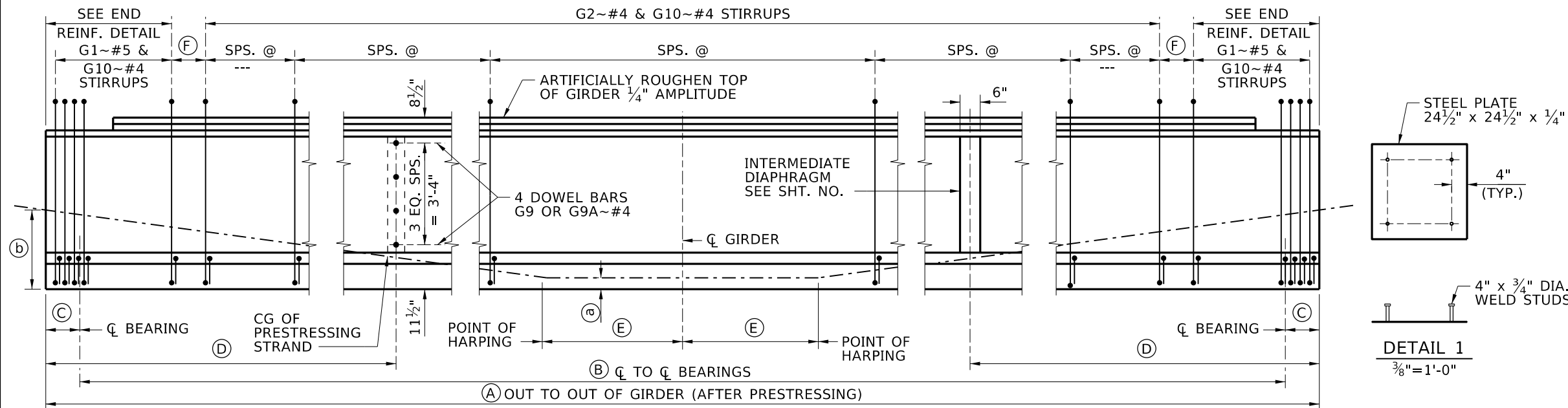


PRESTRESSED GIRDER SCHEDULE

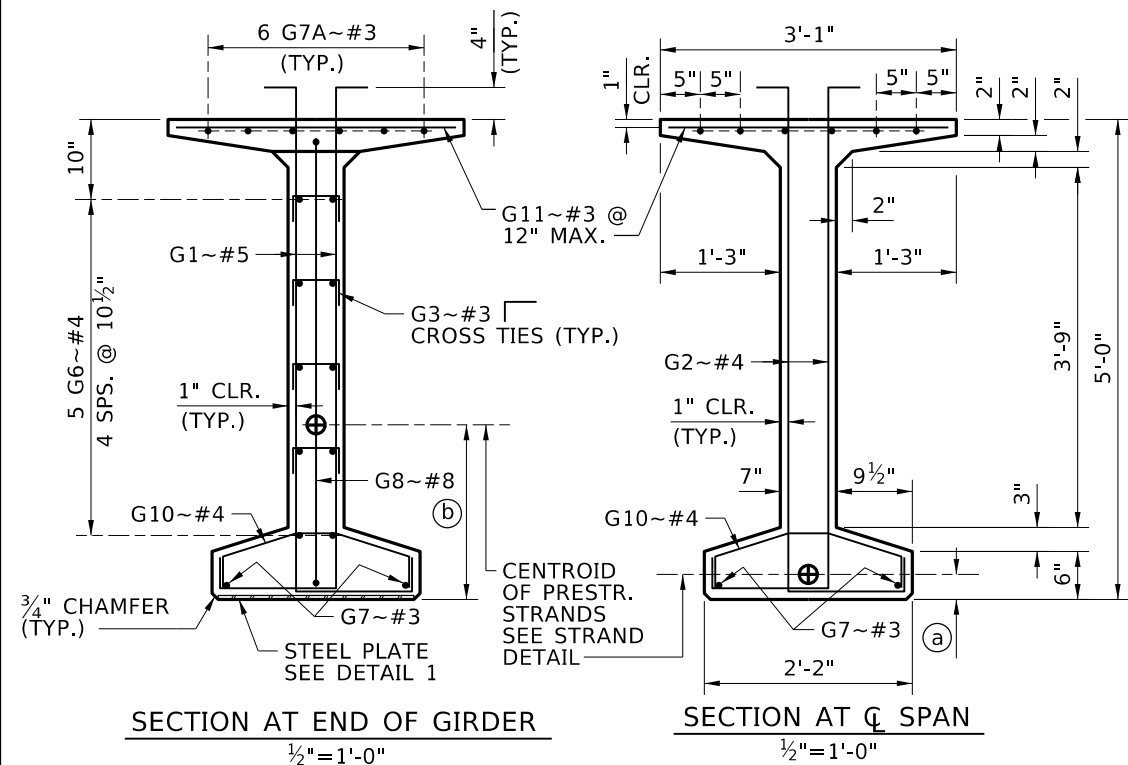
GIRDERS		PRESTRESS FORCE ~ KIPS		PRESTRESS LOSSES ~ KSI		CONCRETE STRENGTH ~ KSI		GIRDER DIMENSIONS						END DETAIL		C.G. OF STRAND			
NO.	LOCATION	INITIAL BEFORE LOSSES	FINAL AFTER LOSSES	IMMEDIATE LOSSES	FINAL TOTAL LOSSES	AT RELEASE f'ci	AT 28 DAYS f'c	(A)	(B)	(C)		(D)		(E)	(F)	LEFT	RIGHT	(b) GIRDER END	(a) MID SPAN

REINFORCEMENT DIAGRAM AASHTO M31 GRADE 60 TYPE S			
MARK	SIZE	GRADE	SKETCH
G1*	#5	60	
G2*	#4	60	
G3*	#3	60	
G4	#5	60	
G4A	#5	60	
G5	#6	60	
G5A	#6	60	
G6	#4	60	
G7	#3	60	
G7A	#3	60	
G8	#8	60	
G9	#4	60	
G9A	#4	60	
G10*	#4	60	
G11	#3	60	



GIRDER ELEVATION AND STIRRUP LAYOUT

NTS

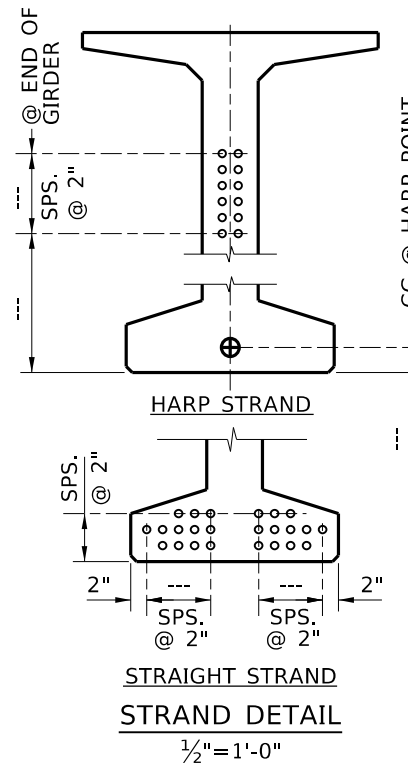


SECTION AT END OF GIRDER

SECTION AT CL SPAN

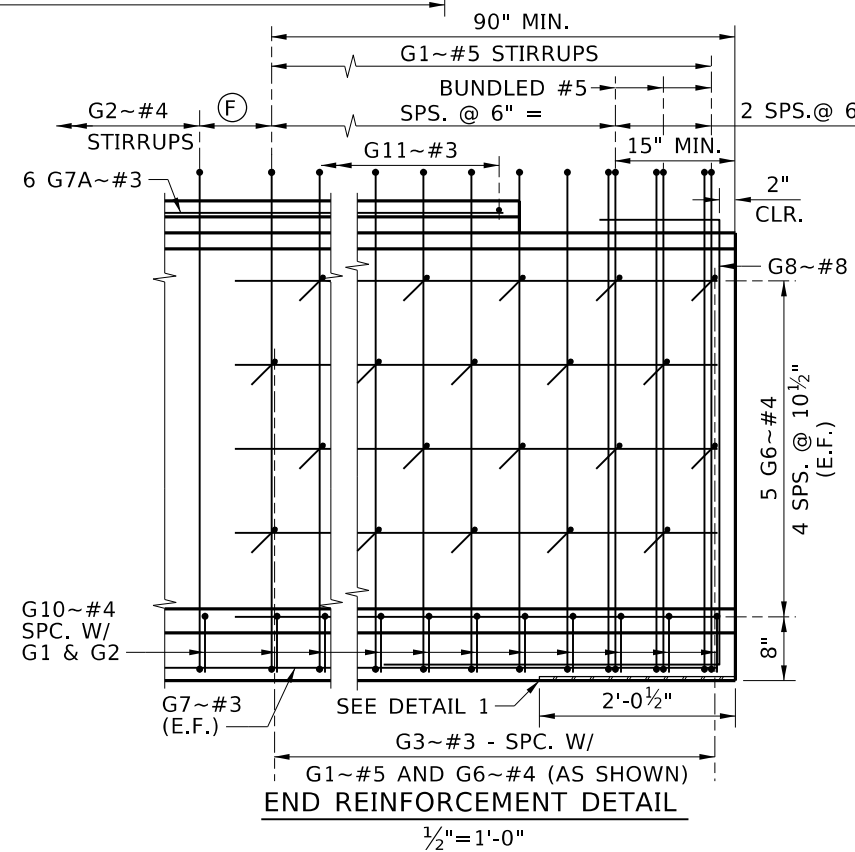
1/2" = 1'-0"

1/2" = 1'-0"



STRAIGHT STRAND STRAND DETAIL

1/2" = 1'-0"



END REINFORCEMENT DETAIL

1/2" = 1'-0"

- NOTES
1. DIMENSIONS TO STIRRUPS AND DOWEL BARS ARE GIVEN AT CL OF GIRDER.
 2. SEE PRESTRESSED GIRDER GENERAL DETAILS AND PRESTRESSED BULB TEE GIRDER DETAILS SHEETS FOR NOTES, DIAPHRAGM DOWEL DETAILS, END DETAILS AND DEFLECTION DATA.
 3. BEND DETAILS IN ACCORDANCE WITH LATEST ACI STANDARD PRACTICE.

* STIRRUP AND TIE HOOK BEND DIMENSIONS. STIRRUPS AND TIES MUST HAVE A MINIMUM 1" COVER OUTSIDE OF BARS.

GIRDER WEIGHT..... 687 LB/FT

REVISIONS		
NO.	DATE	DESCRIPTION

DESIGNED	
DESIGN CHECKED	
DETAILED	
DWG. CHECKED	
CORRECTIONS	

SCALES SHOWN ARE FOR 11" X 17" PRINTS ONLY

CADD FILE NAME: Standards/Bridge Standard Drawings/B05_3F.DGN

DRAWING DATE: DEC 2024

APPROVED BY: BRIDGE ENGINEER MICHAEL T. JOHNSON DATE:

ENGLISH PROJECT NO.

60" BULB TEE PRESTRESSED GIRDER

BRIDGE LRFD DESIGN MANUAL B5.3F

BRIDGE PLANS	
BRIDGE KEY NO.	
COUNTY	KEY NO.
BRIDGE DWG. NO.	SHEET OF