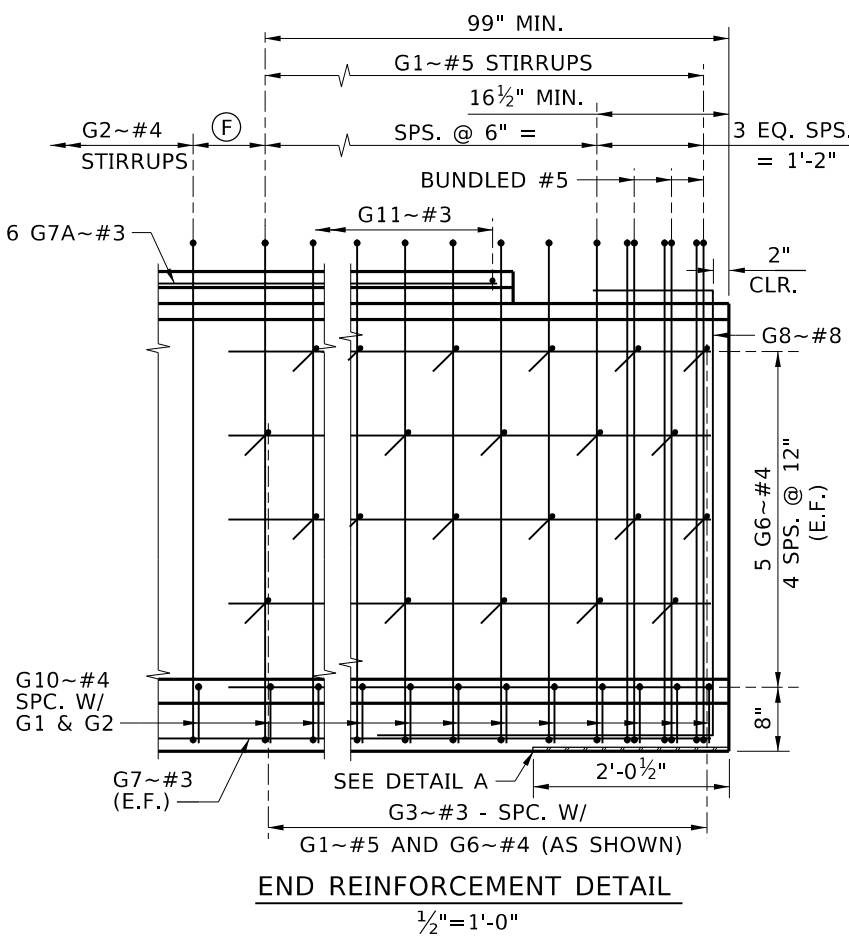
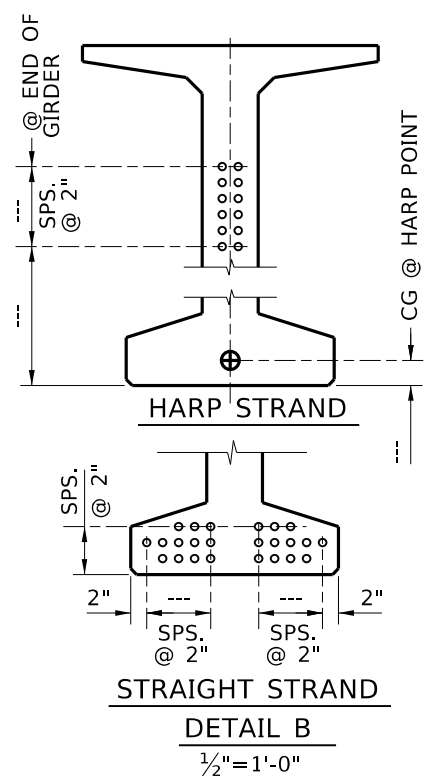
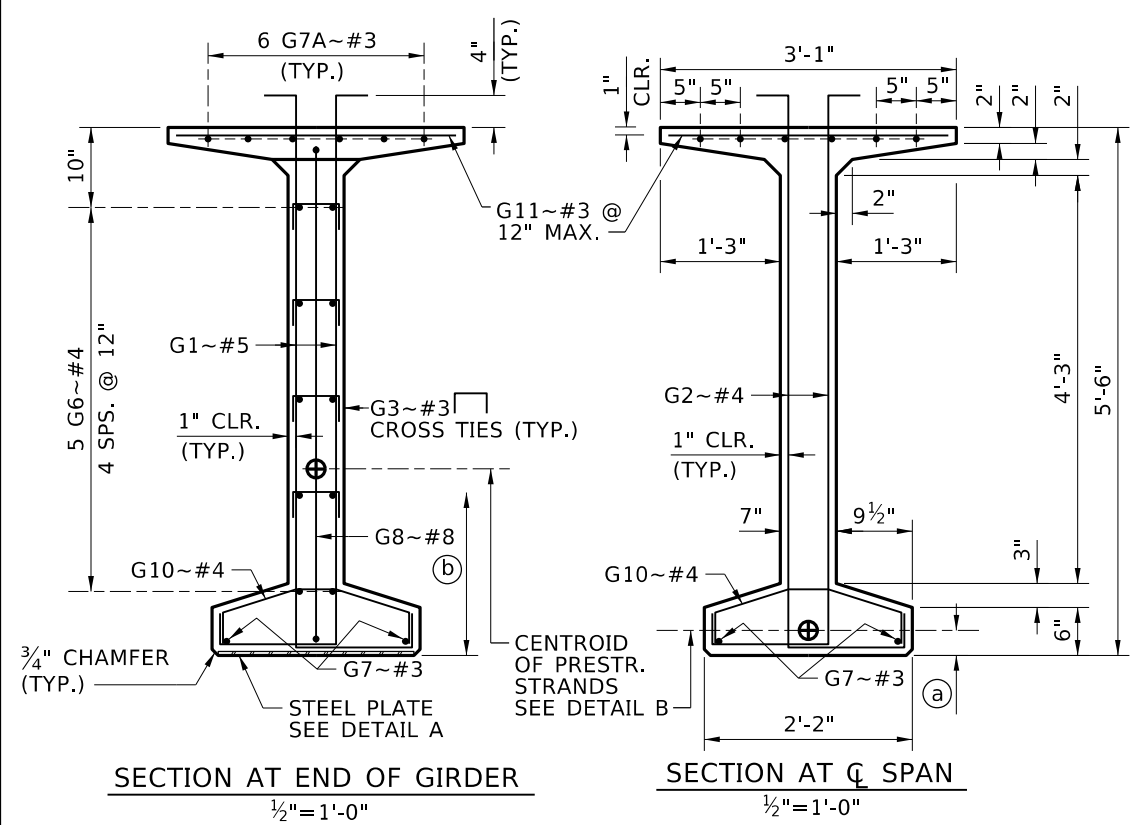
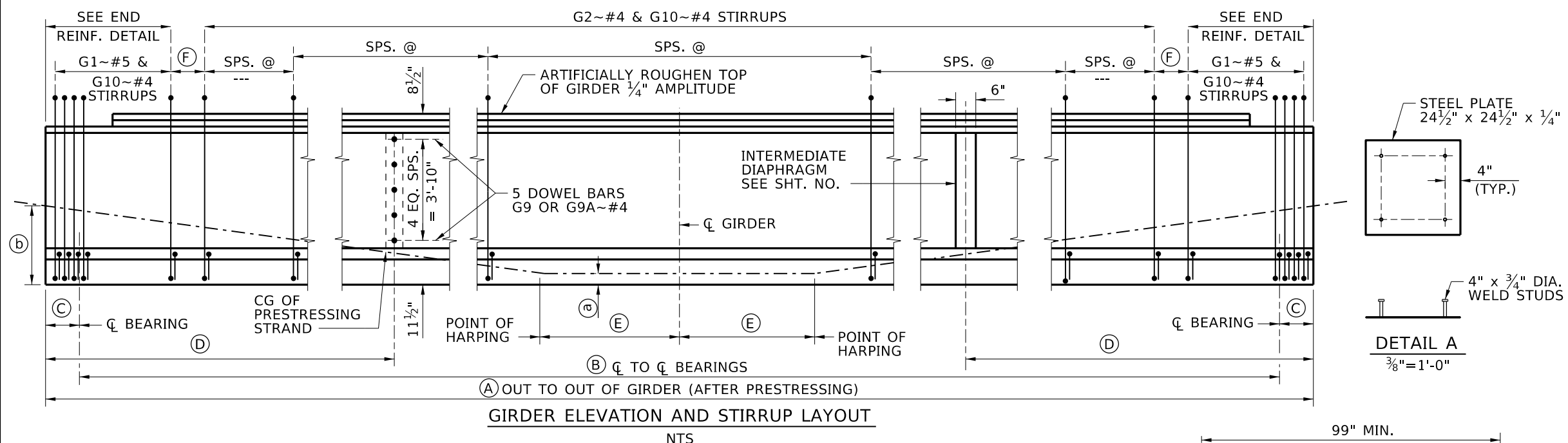


PRESTRESSED GIRDER SCHEDULE

GIRDERS		PRESTRESS FORCE ~ KIPS		PRESTRESS LOSSES ~ KSI		CONCRETE STRENGTH ~ KSI		GIRDER DIMENSIONS						END DETAIL		C.G. OF STRAND			
NO.	LOCATION	INITIAL BEFORE LOSSES	FINAL AFTER LOSSES	IMMEDIATE LOSSES	FINAL TOTAL LOSSES	AT RELEASE f'ci	AT 28 DAYS f'c	(A)	(B)	(C)		(D)		(E)	(F)	LEFT	RIGHT	(b) GIRDER END	(a) MID SPAN
											LEFT	RIGHT	LEFT	RIGHT					

REINFORCEMENT DIAGRAM			
MARK	SIZE	GRADE	SKETCH
G1*	#5	60	
G2*	#4	60	
G3*	#3	60	
G4	#5	60	
G4A	#5	60	
G5	#6	60	
G5A	#6	60	
G6	#4	60	
G7	#3	60	
G7A	#3	60	
G8	#8	60	
G9	#4	60	
G9A	#4	60	
G10*	#4	60	
G11	#3	60	



NOTES

- DIMENSIONS TO STIRRUPS AND DOWEL BARS ARE GIVEN AT C OF GIRDER.
- SEE PRESTRESSED GIRDER GENERAL DETAILS AND PRESTRESSED BULB TEE GIRDER DETAILS SHEETS FOR NOTES, DIAPHRAGM DOWEL DETAILS, END DETAILS AND DEFLECTION DATA.
- BEND DETAILS IN ACCORDANCE WITH LATEST ACI STANDARD PRACTICE.

* STIRRUP AND TIE HOOK BEND DIMENSIONS. STIRRUPS AND TIES MUST HAVE A MINIMUM 1" COVER OUTSIDE OF BARS.

GIRDER WEIGHT..... 731 LB/FT

REVISIONS		
NO.	DATE	DESCRIPTION

DESIGNED	SCALES SHOWN ARE FOR 11" X 17" PRINTS ONLY
DESIGN CHECKED	CADD FILE NAME
DETAILED	Standards/Bridge Standard Drawings
DWG. CHECKED	B05_3G.DGN
CORRECTIONS	DRAWING DATE: OCT 2023

IDAHO TRANSPORTATION DEPARTMENT
 YOUR Safety → YOUR Mobility → YOUR Economic Opportunity
 APPROVED BY: BRIDGE ENGINEER **MICHAEL T. JOHNSON** DATE: _____

ENGLISH
 PROJECT NO. _____

66" BULB TEE PRESTRESSED GIRDER
 BRIDGE LRFD DESIGN MANUAL, B5.3G

BRIDGE PLANS	
BRIDGE KEY NO.	
COUNTY	KEY NO.
BRIDGE DWG. NO.	SHEET OF