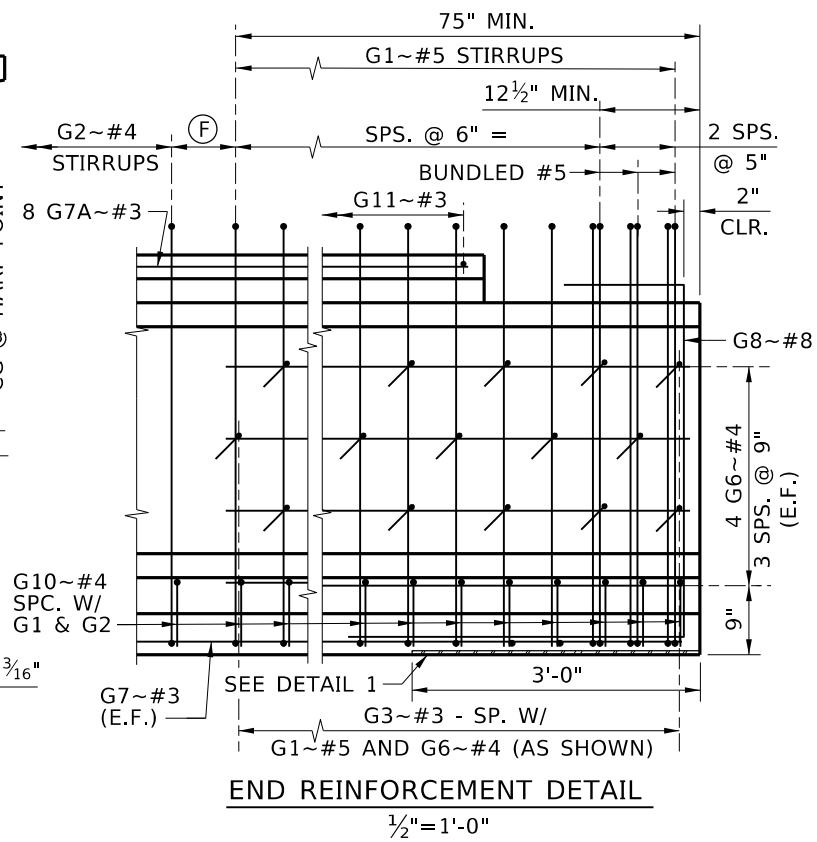
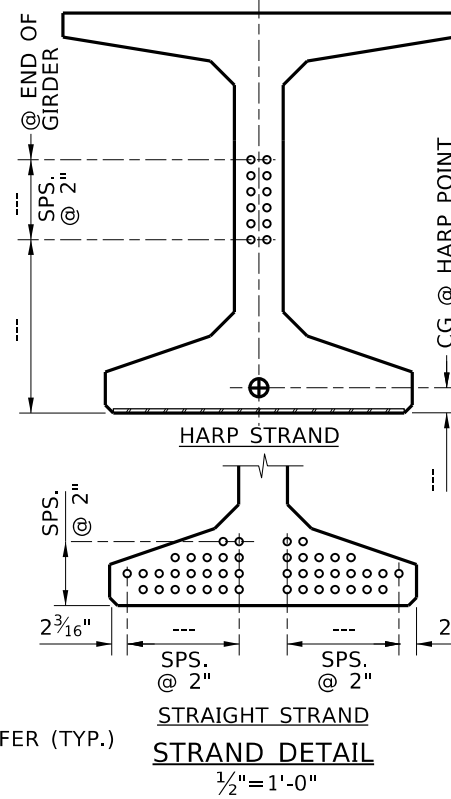
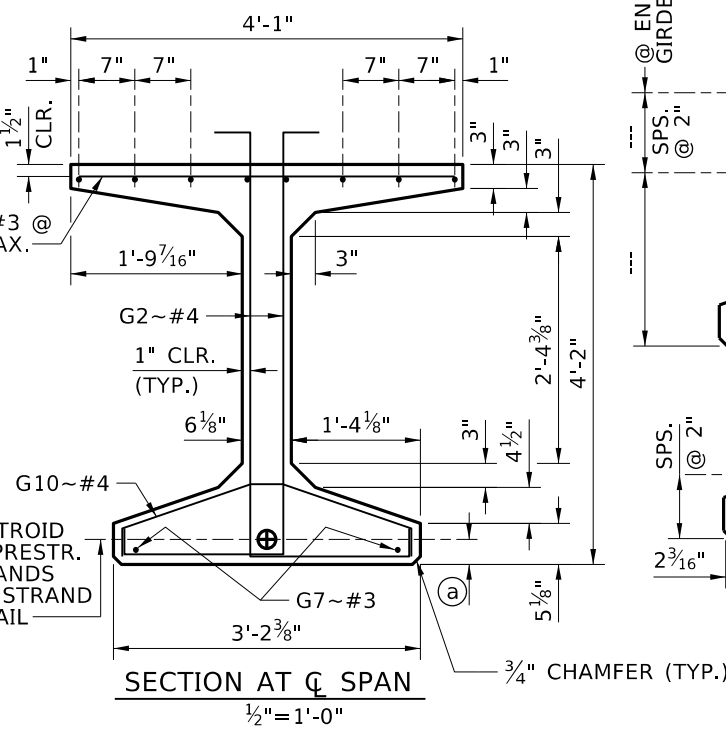
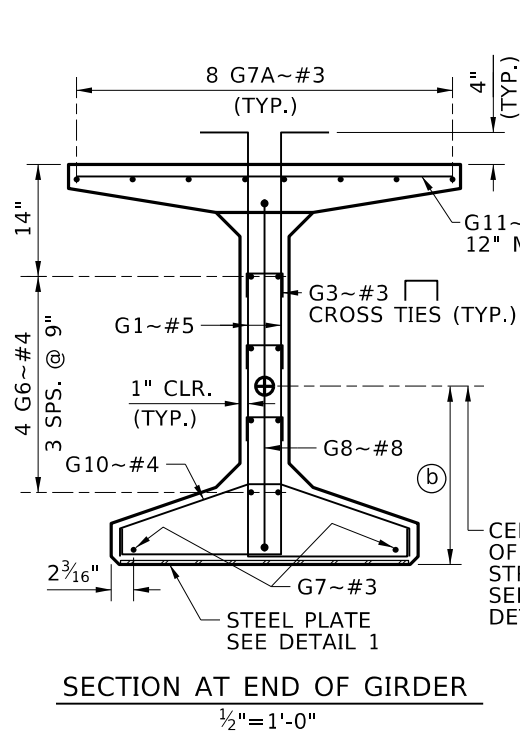
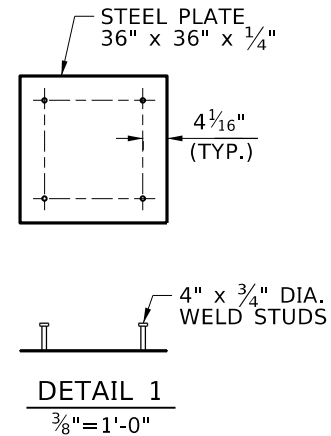
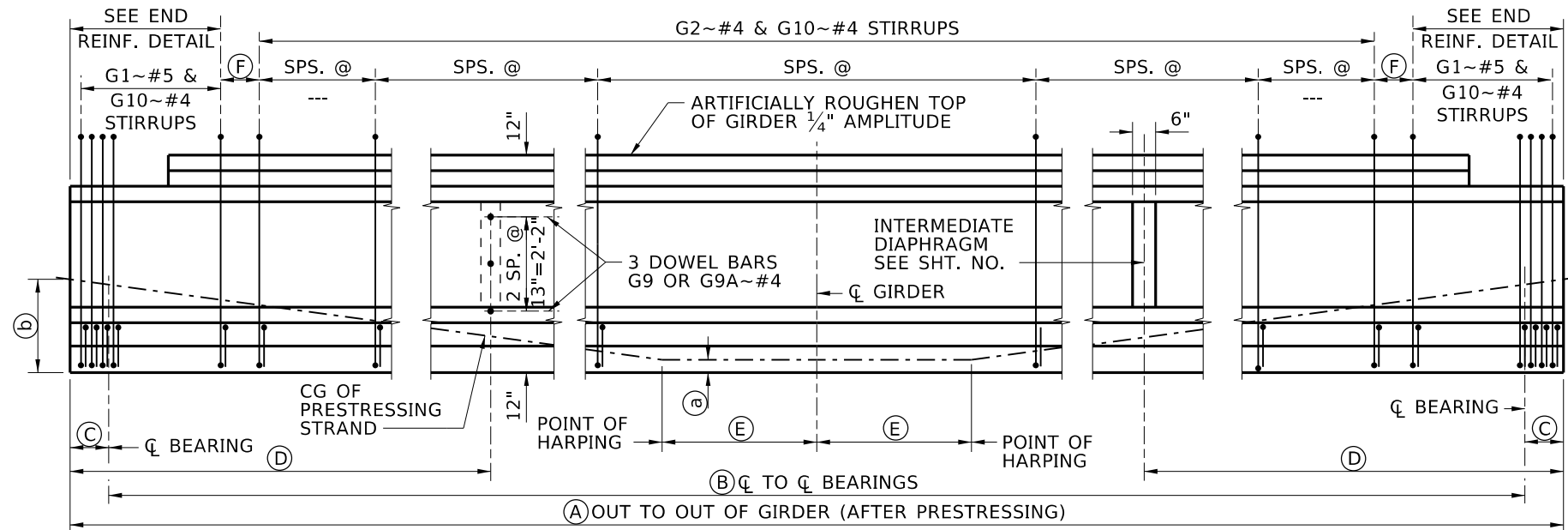


PRESTRESSED GIRDER SCHEDULE

GIRDERS		PRESTRESS FORCE ~ KIPS		PRESTRESS LOSSES ~ KSI		CONCRETE STRENGTH ~ KSI		GIRDER DIMENSIONS						END DETAIL		C.G. OF STRAND			
NO.	LOCATION	INITIAL BEFORE LOSSES	FINAL AFTER LOSSES	IMMEDIATE LOSSES	FINAL TOTAL LOSSES	AT RELEASE f'ci	AT 28 DAYS f'c	(A)	(B)	(C)		(D)		(E)	(F)	LEFT	RIGHT	(b) GIRDER END	(a) MID SPAN
										LEFT	RIGHT	LEFT	RIGHT						

REINFORCEMENT DIAGRAM			
AASHTO M31 GRADE 60 TYPE S			
MARK	SIZE	GRADE	SKETCH
G1*	#5	60	
G2*	#4	60	
G3*	#3	60	
G4	#5	60	
G4A	#5	60	
G5	#6	60	
G5A	#6	60	
G6	#4	60	
G7	#3	60	
G7A	#3	60	
G8	#8	60	
G9	#4	60	
G9A	#4	60	
G10*	#4	60	
G11	#3	60	



NOTES

- DIMENSIONS TO STIRRUPS AND DOWEL BARS ARE GIVEN AT CL OF GIRDER.
- SEE PRESTRESSED GIRDERS GENERAL DETAILS AND PRESTRESSED WF GIRDER DETAILS SHEETS FOR NOTES, DIAPHRAGM DOWEL DETAILS, END DETAILS AND DEFLECTION DATA.
- BEND DETAILS IN ACCORDANCE WITH LATEST ACI STANDARD PRACTICE.

* STIRRUP AND TIE HOOK BEND DIMENSIONS. STIRRUPS AND TIES MUST HAVE A MINIMUM 1" COVER OUTSIDE OF BARS.

GIRDER WEIGHT.....809 LB/FT

REVISIONS		
NO.	DATE	DESCRIPTION

DESIGNED	SCALES SHOWN ARE FOR 11" X 17" PRINTS ONLY
DESIGN CHECKED	CADD FILE NAME
DETAILED	Standards/Bridge Standard Drawings
DWG. CHECKED	B05_31.DGN
CORRECTIONS	DRAWING DATE: DEC 2024

IDAHO TRANSPORTATION DEPARTMENT

YOUR Safety → YOUR Mobility → YOUR Economic Opportunity

APPROVED BY: BRIDGE ENGINEER **MICHAEL T. JOHNSON** DATE: _____

ENGLISH

PROJECT NO. _____

WF50G PRESTRESSED GIRDER

BRIDGE LRFD DESIGN MANUAL B5.3J

BRIDGE PLANS	
BRIDGE KEY NO. _____	
COUNTY	KEY NO. _____
BRIDGE DWG. NO.	SHEET OF _____