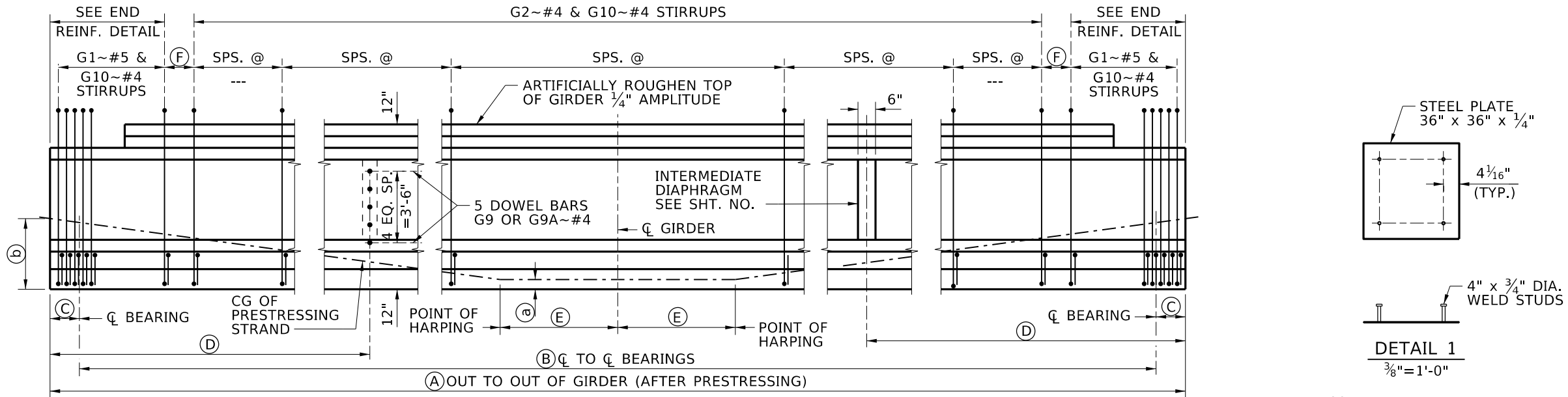


PRESTRESSED GIRDER SCHEDULE

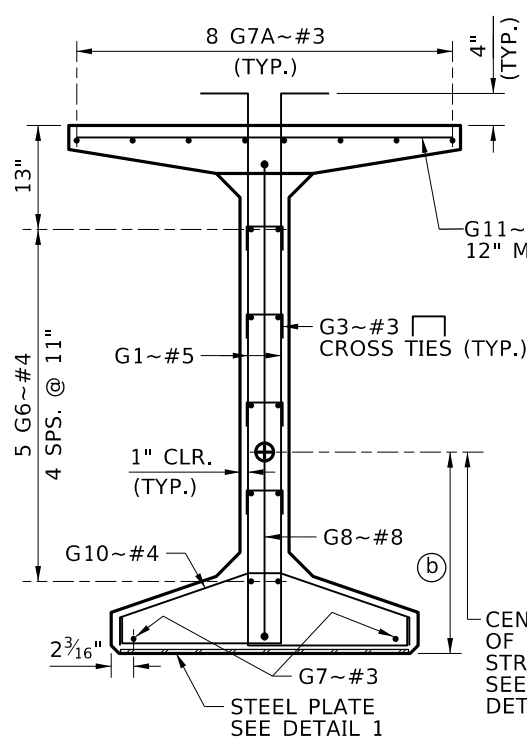
GIRDERS		PRESTRESS FORCE ~ KIPS		PRESTRESS LOSSES ~ KSI		CONCRETE STRENGTH ~ KSI		GIRDER DIMENSIONS						END DETAIL		C.G. OF STRAND				
NO.	LOCATION	INITIAL BEFORE LOSSES	FINAL AFTER LOSSES	IMMEDIATE LOSSES	FINAL TOTAL LOSSES	AT RELEASE f'ci	AT 28 DAYS f'c	(A)	(B)	(C)		(D)		(E)	(F)	LEFT	RIGHT	(b) GIRDER END	(a) MID SPAN	
										LEFT	RIGHT	LEFT	RIGHT							

REINFORCEMENT DIAGRAM			
AASHTO M31 GRADE 60 TYPE S			
MARK	SIZE	GRADE	SKETCH
G1*	#5	60	5'-9"
G2*	#4	60	1'-8 1/4" x 3 1/2"
G3*	#3	60	4 1/8"
G4	#5	60	
G4A	#5	60	
G5	#6	60	
G5A	#6	60	
G6	#4	60	
G7	#3	60	(A) - 4"
G7A	#3	60	(A) - 2 (BLOCKOUT + 2")
G8	#8	60	5'-0" x 3'-6" x 1'-3"
G9	#4	60	4'-0"
G9A	#4	60	2'-0"
G10*	#4	60	3'-2 1/2" x 17" x 4 1/2" x 13 1/8"
G11	#3	60	3'-11"



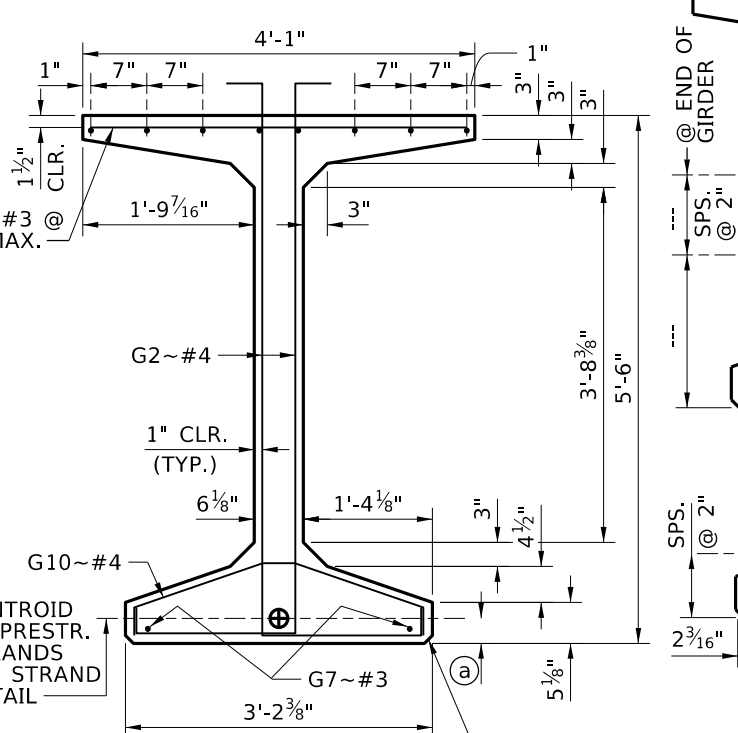
GIRDER ELEVATION AND STIRRUP LAYOUT

NTS



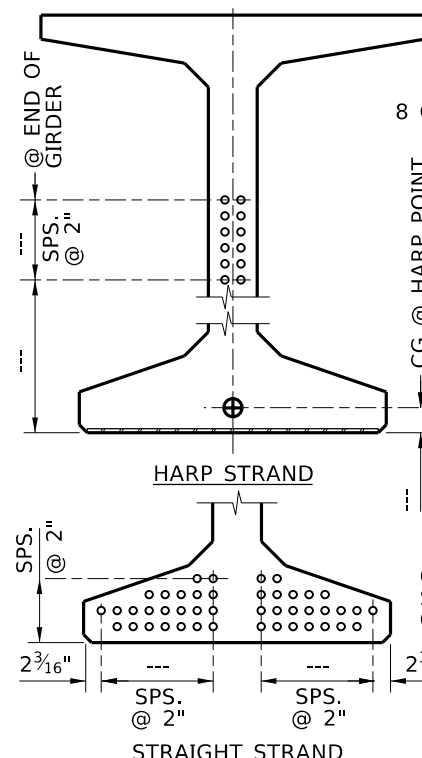
SECTION AT END OF GIRDER

1/2" = 1'-0"



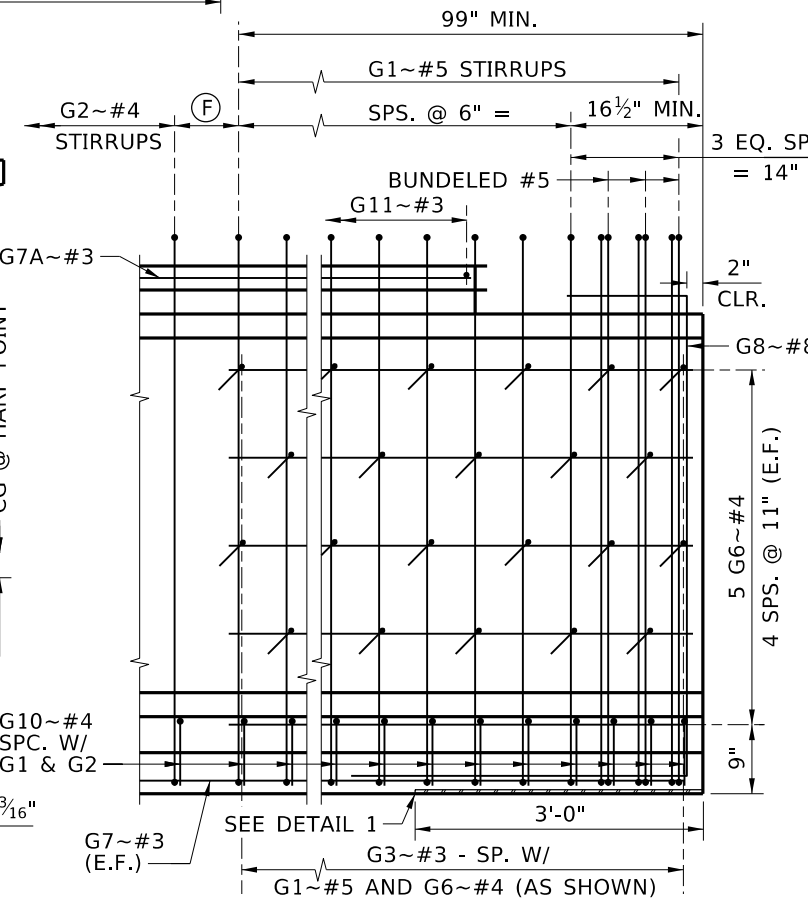
SECTION AT C SPAN

1/2" = 1'-0"



STRAIGHT STRAND STRAND DETAIL

1/2" = 1'-0"



END REINFORCEMENT DETAIL

1/2" = 1'-0"

- NOTES
1. DIMENSIONS TO STIRRUPS AND DOWEL BARS ARE GIVEN AT C OF GIRDER.
  2. SEE PRESTRESSED GIRDER GENERAL DETAILS AND PRESTRESSED WF GIRDER DETAILS SHEETS FOR NOTES, DIAPHRAGM DOWEL DETAILS, END DETAILS AND DEFLECTION DATA.
  3. BEND DETAILS IN ACCORDANCE WITH LATEST ACI STANDARD PRACTICE.

\* STIRRUP AND TIE HOOK BEND DIMENSIONS. STIRRUPS AND TIES MUST HAVE A MINIMUM 1" COVER OUTSIDE OF BARS.

GIRDER WEIGHT..... 911 LB/FT

REVISIONS			
NO.	DATE	BY	DESCRIPTION

DESIGNED
DESIGN CHECKED
DETAILED
DWG. CHECKED
CORRECTIONS

SCALES SHOWN ARE FOR 11" X 17" PRINTS ONLY
CADD FILE NAME
Standards/Bridge Standard Drawings
B05_3L.DGN
DRAWING DATE: DEC 2024

**IDAHO TRANSPORTATION DEPARTMENT**

YOUR Safety → YOUR Mobility → YOUR Economic Opportunity

APPROVED BY: BRIDGE ENGINEER **MICHAEL T. JOHNSON** DATE: \_\_\_\_\_

<b>ENGLISH</b>
PROJECT NO.

<b>WF66G PRESTRESSED GIRDER</b>
<b>BRIDGE LRFD DESIGN MANUAL B5.3L</b>

<b>BRIDGE PLANS</b>	
BRIDGE KEY NO.	
COUNTY	KEY NO.
BRIDGE DWG. NO.	SHEET OF