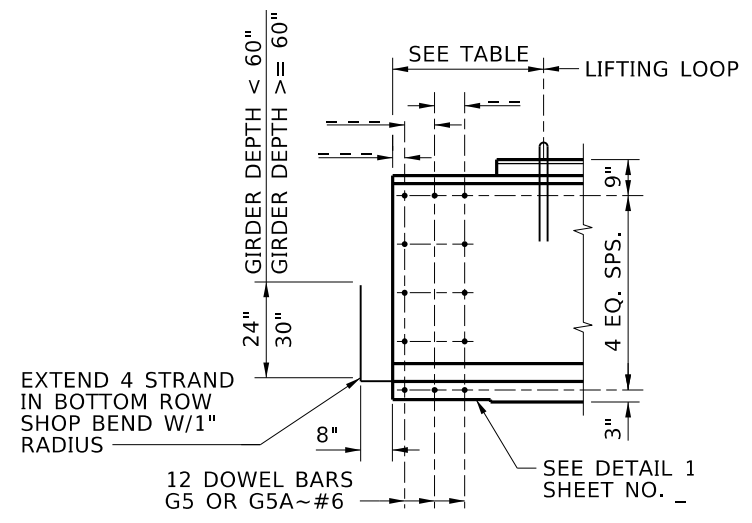
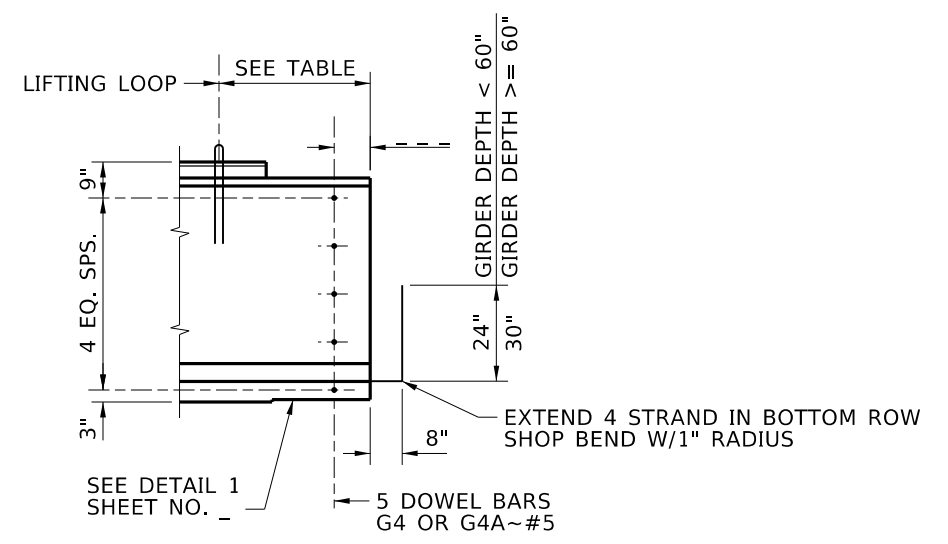


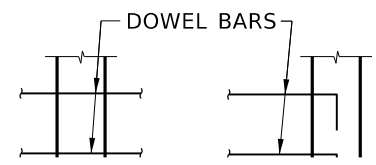
ELEVATION  
TYPE A  
EXPANSION



ELEVATION  
TYPE B  
FIXED  
GIRDER END DETAILS  
1/4"=1'-0"



ELEVATION  
TYPE C  
POSITIVE MOMENT  
CONNECTION



INTERIOR GIRDERS WITH NON-STAGGERED DIAPHRAGMS

FOR STAGGERED DIAPHRAGMS AND EXTERIOR GIRDERS

INTERMEDIATE DIAPHRAGM DOWEL DETAILS  
1/4"=1'-0"

	MIN.	MAX.
RELEASE		
ERECTION		

LIFT LOOP LOCATION

REVISIONS			
NO.	DATE	BY	DESCRIPTION
▲			
▲			
▲			
▲			

DESIGNED

DESIGN CHECKED

DETAILED

DWG. CHECKED

CORRECTIONS

SCALES SHOWN ARE FOR 11" X 17" PRINTS ONLY

CADD FILE NAME

Standards\Standard Bridge Drawings\B05\_30\_3.DGN.dgn

DRAWING DATE: DEC 2024

APPROVED BY: BRIDGE ENGINEER MICHAEL T. JOHNSON DATE: \_\_\_\_\_

**IDAHO TRANSPORTATION DEPARTMENT**

YOUR Safety→YOUR Mobility→YOUR Economic Opportunity

ENGLISH

PROJECT NO.

PRESTRESSED BULB TEE GIRDER DETAILS

BRIDGE LRFD DESIGN MANUAL, B5.30-3

BRIDGE PLANS	
BRIDGE KEY NO.	
COUNTY	KEY NO.
BRIDGE DWG. NO.	SHEET OF