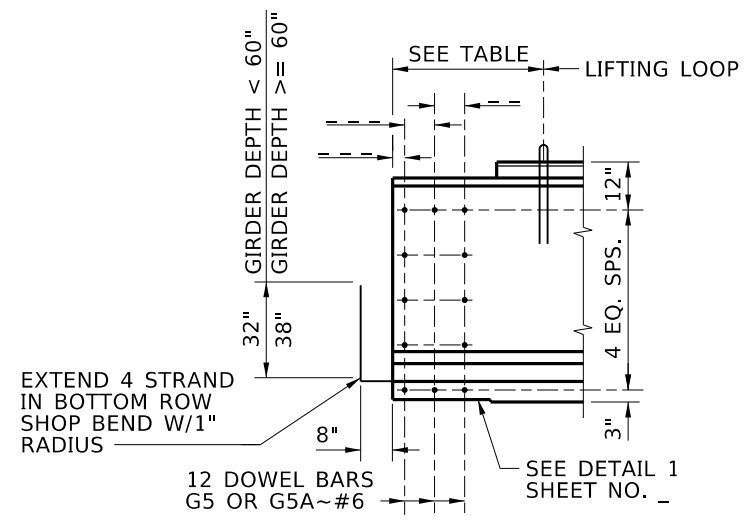
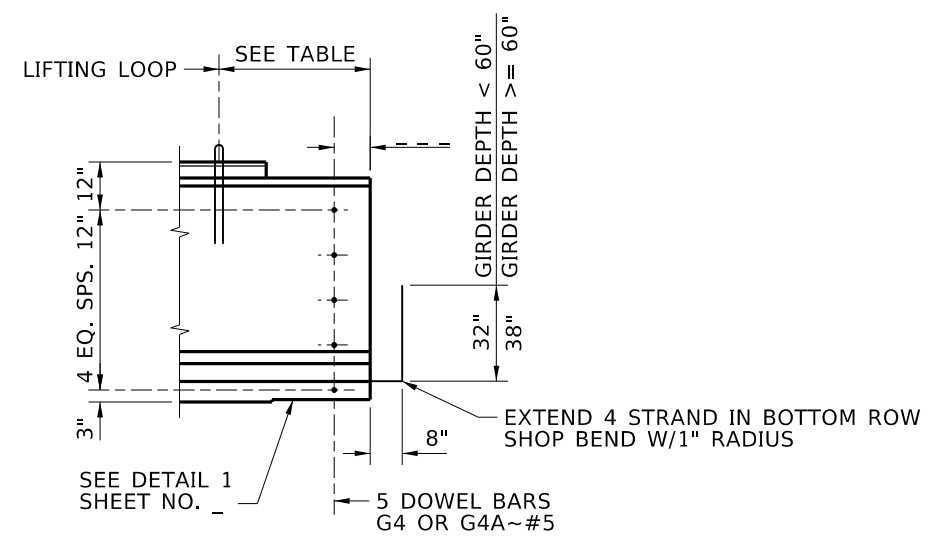


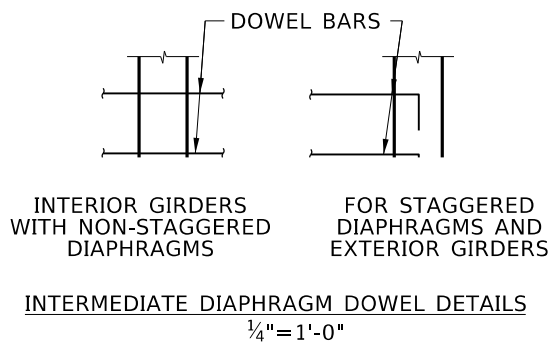
ELEVATION
TYPE A
EXPANSION



ELEVATION
TYPE B
FIXED
GIRDER END DETAILS
1/4" = 1'-0"



ELEVATION
TYPE C
POSITIVE MOMENT
CONNECTION



	MIN.	MAX.
RELEASE		
ERECTION		

LIFT LOOP LOCATION

REVISIONS			
NO.	DATE	BY	DESCRIPTION
▲			
▲			
▲			
▲			

DESIGNED
DESIGN CHECKED
DETAILED
DWG. CHECKED
CORRECTIONS

SCALES SHOWN ARE FOR 11" X 17" PRINTS ONLY

CADD FILE NAME
Standards\Standard Bridge Drawings\B05_30_4.DGN.dgn

DRAWING DATE:
DEC 2024

IDAHO TRANSPORTATION DEPARTMENT

YOUR Safety → YOUR Mobility → YOUR Economic Opportunity

APPROVED BY:
BRIDGE ENGINEER **MICHAEL T. JOHNSON** DATE: _____

ENGLISH

PROJECT NO.

PRESTRESSED WF GIRDER DETAILS

BRIDGE LRFD DESIGN MANUAL, B5.30-4

BRIDGE PLANS	
BRIDGE KEY NO.	
COUNTY	KEY NO.
BRIDGE DWG. NO.	SHEET OF