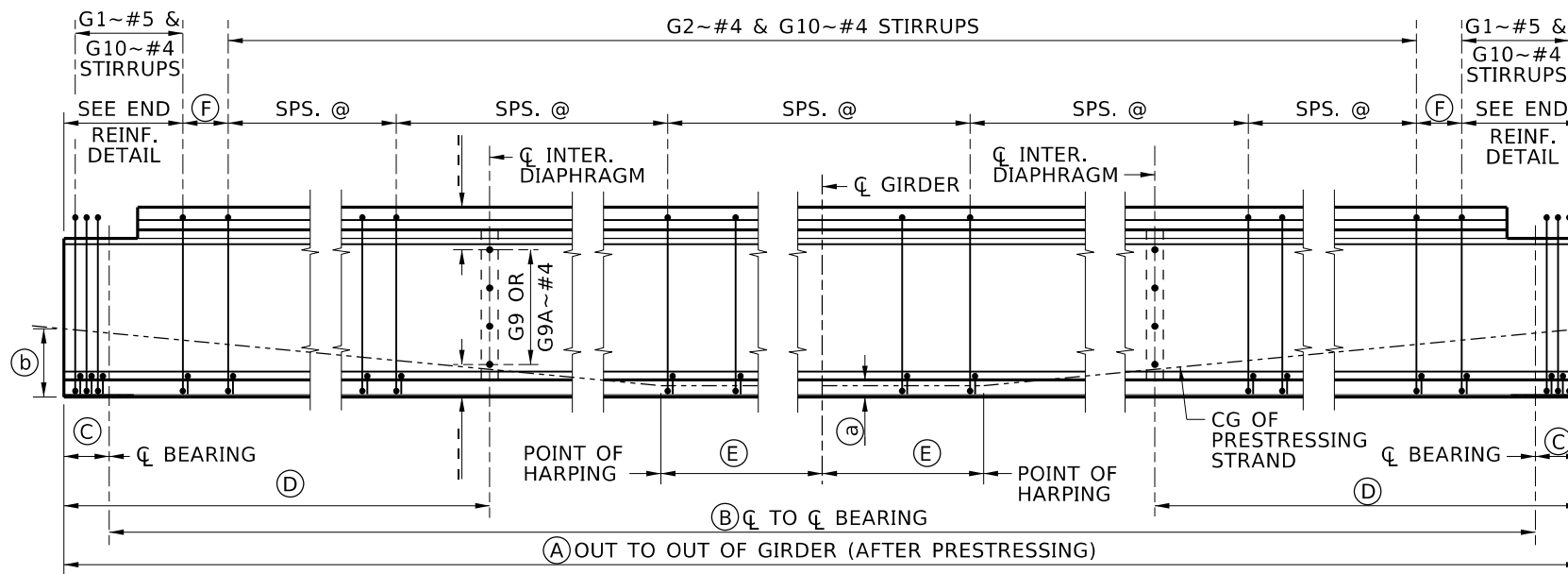


PRESTRESSED GIRDER SCHEDULE

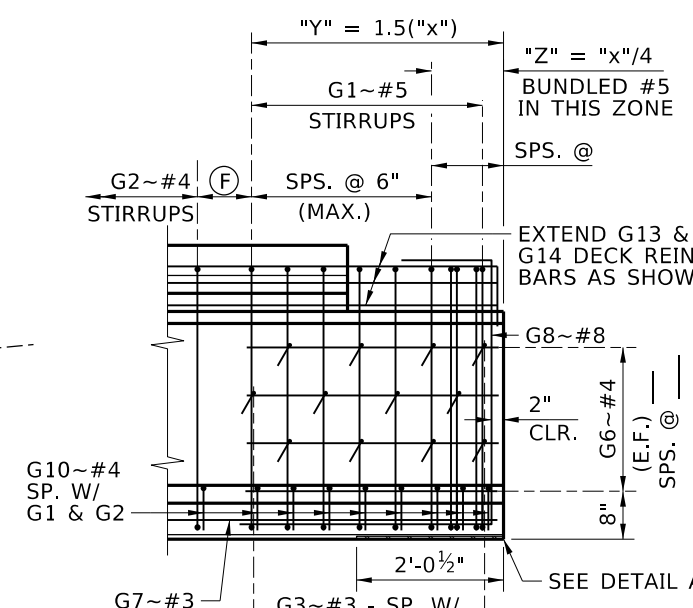
GIRDERS		PRESTRESS FORCE ~ KIPS		PRESTRESS LOSSES ~ KSI		CONCRETE STRENGTH ~ KSI		GIRDER DIMENSIONS						END DETAIL		C.G. OF STRAND			
NO.	LOCATION	INITIAL BEFORE LOSSES	FINAL AFTER LOSSES	IMMEDIATE LOSSES	FINAL TOTAL LOSSES	AT RELEASE f'ci	AT 28 DAYS f'c	A	B	C		D		E	F	LEFT	RIGHT	b	a
										LEFT	RIGHT	LEFT	RIGHT						

REINFORCEMENT DIAGRAM			
MARK	SIZE	GRADE	SKETCH
G1*	#5(E)	60	
G2*	#4(E)	60	
G3*	#3(E)	60	
G5	#6(E)	60	INT GIRDER
G5A	#6(E)	60	EXT GIRDER
G6	#4(E)	60	
G7	#3(E)	60	
G8*	#8(E)	60	
G9	#4(E)	60	
G9A	#4(E)	60	
G10	#4(E)	60	
G11	#5(E)	60	
G12	#5(E)	60	
G12A*	#5(E)	60	
G13	#5(E)	60	
G14**	#5(E)	60	



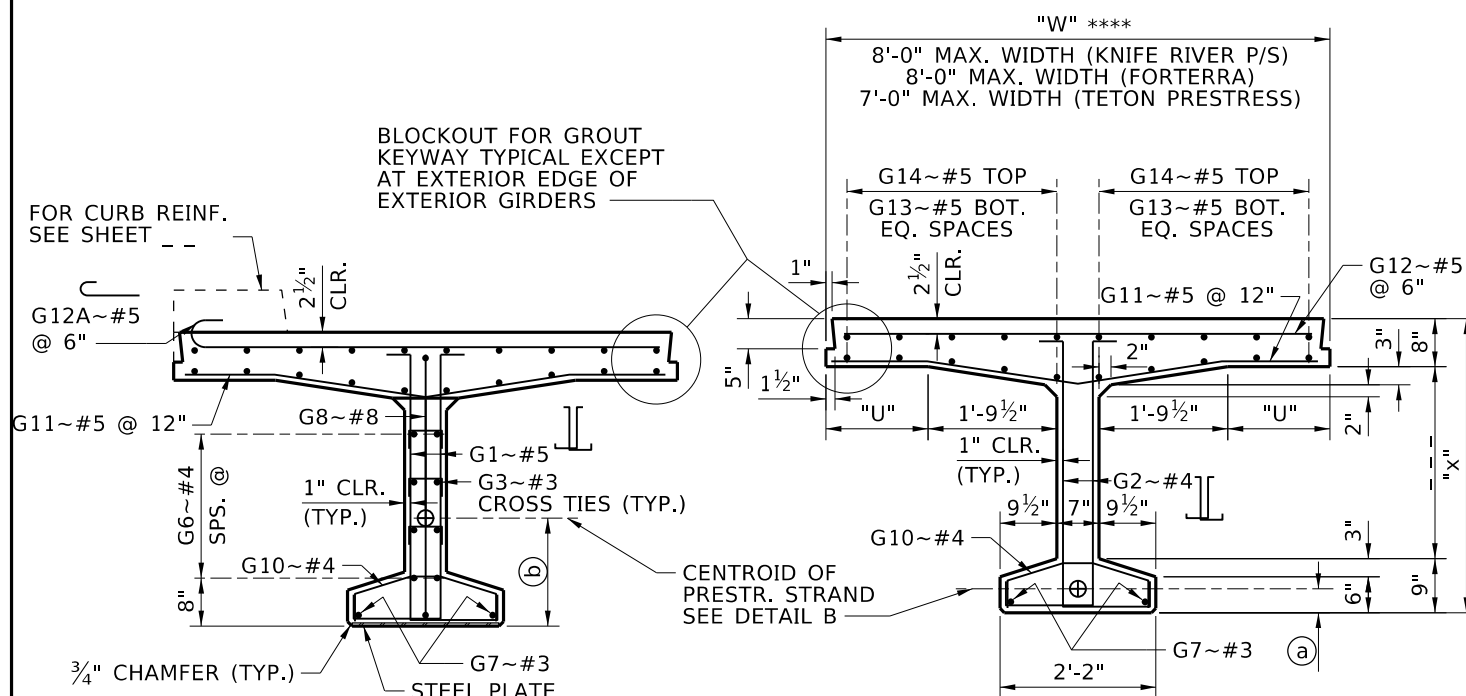
GIRDER ELEVATION AND STIRRUP LAYOUT

3/8" = 1'-0"



END REINFORCEMENT DETAIL

3/8" = 1'-0"



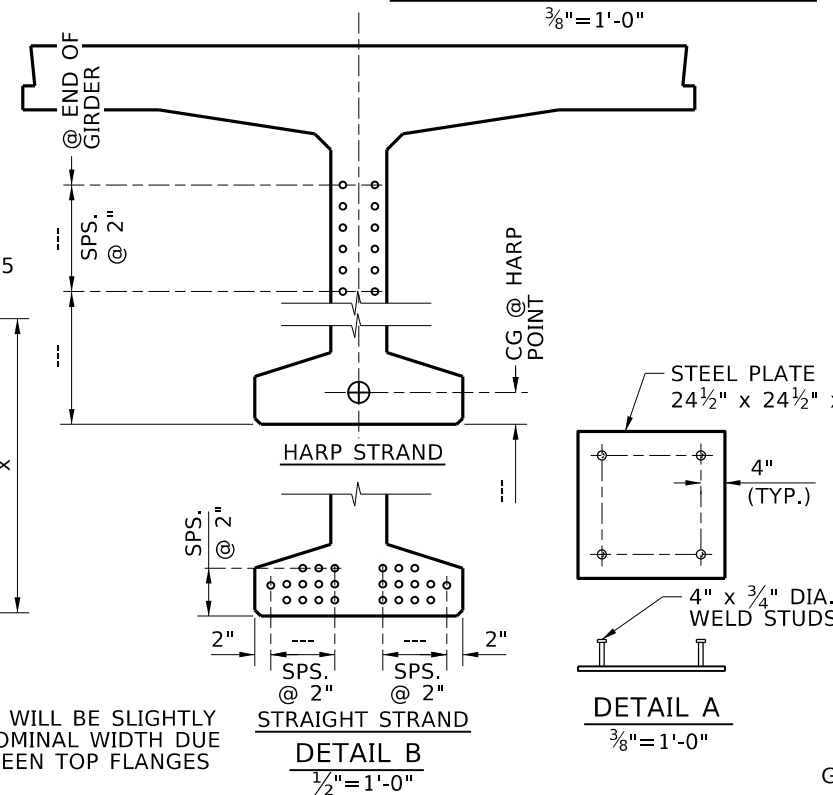
SECTION AT END OF GIRDER

3/8" = 1'-0"

SECTION AT C SPAN

3/8" = 1'-0"

**** EXACT WIDTH WILL BE SLIGHTLY LESS THAN NOMINAL WIDTH DUE TO GAP BETWEEN TOP FLANGES



DETAIL B

1/2" = 1'-0"

DETAIL A

3/8" = 1'-0"

NOTES

- DIMENSIONS TO STIRRUPS AND DOWEL BARS ARE GIVEN AT C OF GIRDER.
 - SEE TYPICAL BULB TEE SECTION AND DETAILS SHEET FOR ADDITIONAL GIRDER NOTES AND DETAILS.
 - BEND DETAILS IN ACCORDANCE WITH LATEST ACI STANDARD PRACTICE.
- * STIRRUP AND TIE HOOK BEND DIMENSIONS. STIRRUPS AND TIES MUST HAVE A MINIMUM 1" COVER OUTSIDE OF BARS.
 ** HOOKS AT ABUTMENT ENDS ONLY.
 ***FOR JOINTS OR DISCONTINUITIES IN THE PARAPET, BUNDLE A #4(E) WITH THE G12A BARS FOR A DISTANCE EQUAL TO 8' FROM THE JOINT/DISCONTINUITY

GIRDER WEIGHT..... LB/FT

REVISIONS		
NO.	DATE	DESCRIPTION

DESIGNED
DESIGN CHECKED
DETAILED
DWG. CHECKED
CORRECTIONS

SCALES SHOWN ARE FOR 11" X 17" PRINTS ONLY
CADD FILE NAME
Standards/Bridge Standard Drawings
B05_4B.DGN
DRAWING DATE: OCT 2023

IDAHO TRANSPORTATION DEPARTMENT

YOUR Safety → YOUR Mobility → YOUR Economic Opportunity

APPROVED BY: BRIDGE ENGINEER **MICHAEL T. JOHNSON** DATE: _____

ENGLISH PROJECT NO.

PRESTRESSED DECK BULB TEE GIRDER

OFF SYSTEM AND LOCAL ROADS BRIDGE LRFD DESIGN MANUAL, B5.4B

BRIDGE PLANS	
BRIDGE KEY NO.	
COUNTY	KEY NO.
BRIDGE DWG. NO.	SHEET OF