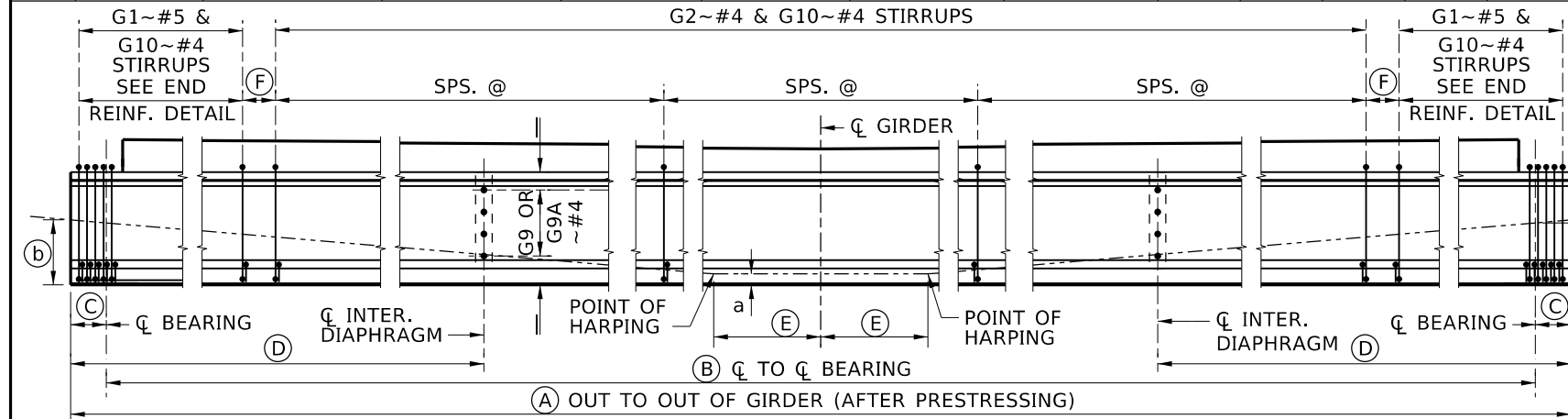


PRESTRESSED GIRDER SCHEDULE

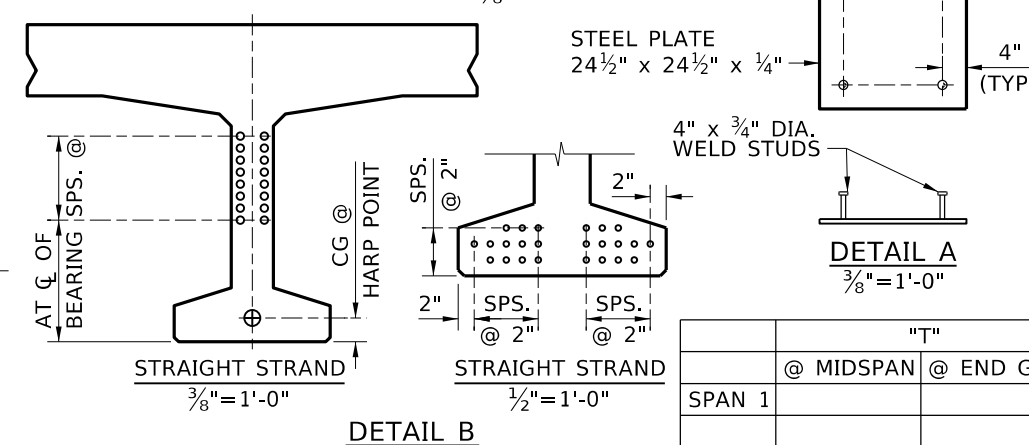
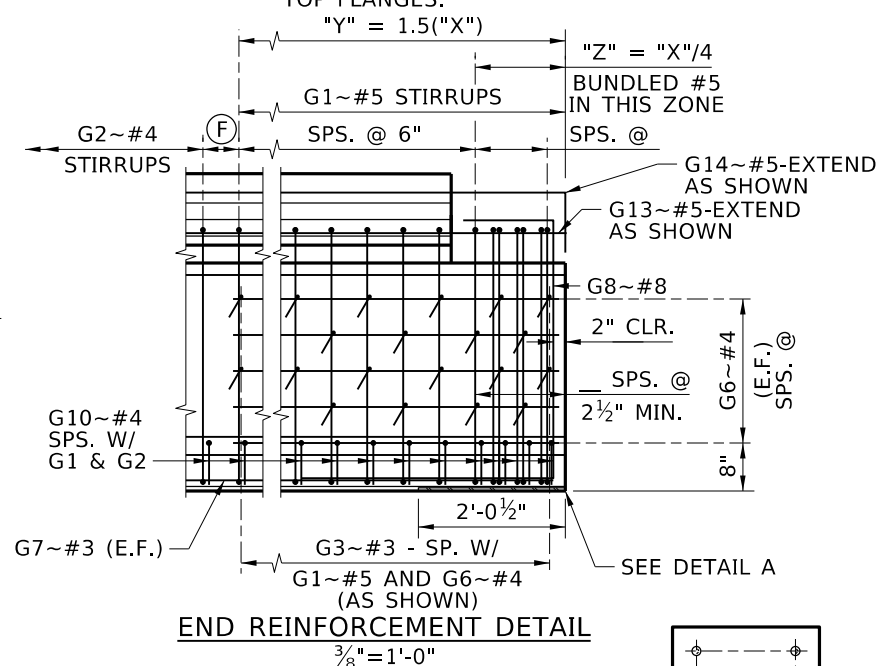
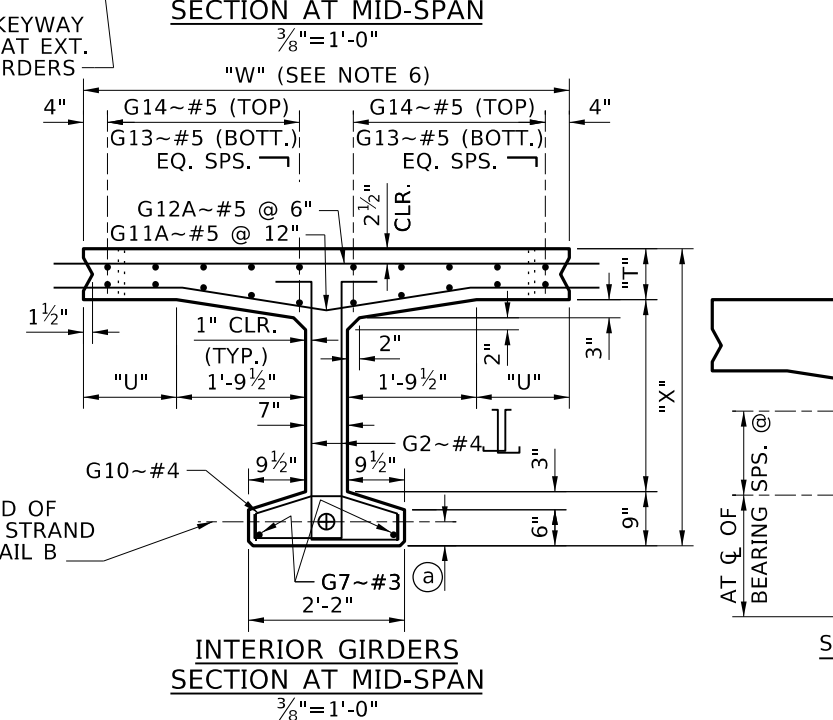
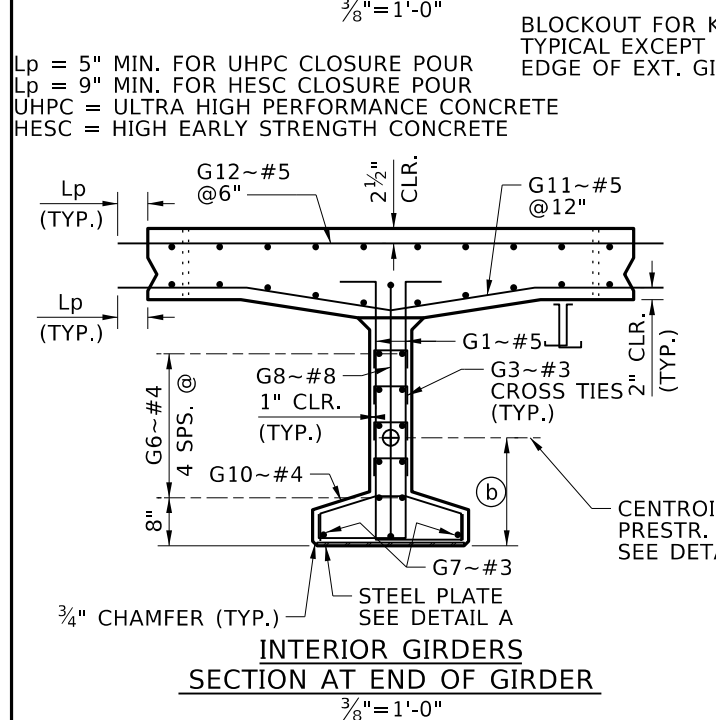
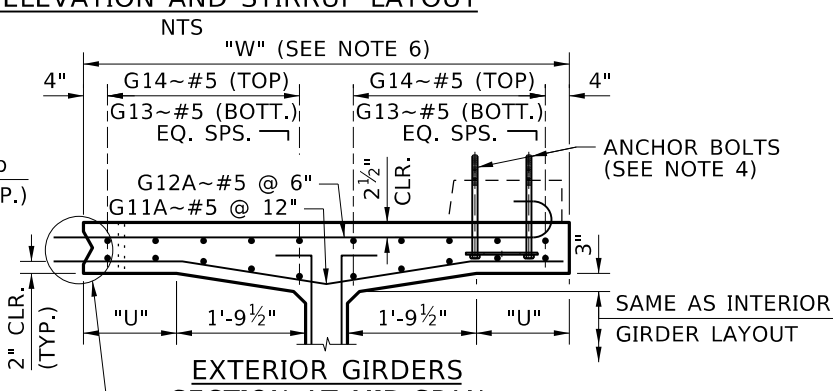
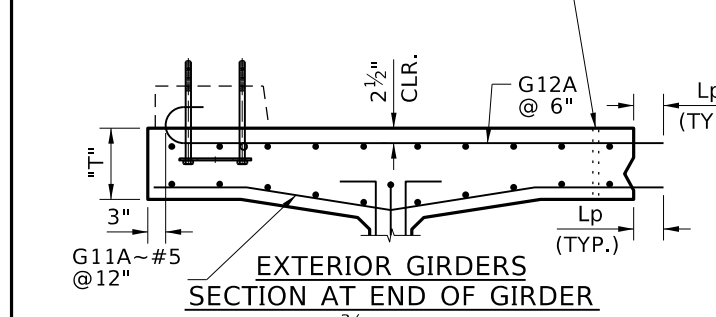
GIRDERS		PRESTRESS FORCE ~ KIPS		PRESTRESS LOSSES ~ KSI		CONCRETE STRENGTH ~ KSI		GIRDER DIMENSIONS						END DETAIL		C.G. OF STRAND			
NO.	LOCATION	INITIAL BEFORE LOSSES	FINAL AFTER LOSSES	IMMEDIATE LOSSES	FINAL TOTAL LOSSES	AT RELEASE f'ci	AT 28 DAYS f'c	(A)	(B)	(C)		(D)		(E)	(F)	LEFT	RIGHT	(b)	(a)
										LEFT	RIGHT	LEFT	RIGHT						

REINFORCEMENT DIAGRAM			
MARK	SIZE	GRADE	SKETCH
G1*	#5(E)	60	
G2*	#4(E)	60	
G3*	#3(E)	60	
G5	#6	60	
G6	#4(E)	60	
G7	#3(E)	60	
G8*	#8(E)	60	
G9	#4(E)	60	
G9A	#4(E)	60	
G10	#4(E)	60	
G11	#5(E)	60	
G11A	#5(E)	60	
G12	#5(E)	60	
G12A*	#5(E)	60	
G13	#5(E)	60	
G14**	#5(E)	60	



- NOTES**
- DIMENSIONS TO STIRRUPS AND DOWEL BARS ARE GIVEN AT CL OF GIRDER.
  - BEND DETAILS IN ACCORDANCE WITH LATEST ACI STANDARD PRACTICE.
  - SEE TYPICAL BULB TEE SECTION AND DETAILS SHEETS FOR ADDITIONAL GIRDER NOTES AND DETAILS.
  - CAST ANCHOR BOLTS INTO EXTERIOR GIRDERS. SUBMIT RAIL SHOP DRAWINGS FOR APPROVAL PRIOR TO PREPARATION OF GIRDER SHOP DRAWINGS.
  - FOR CURB STEEL SEE SHEET \_\_\_\_\_. SUBMIT FALSE WORK DETAILS FOR GIRDER CLOSURE POUR GROUT KEY BEFORE PREPARATION OF GIRDER SHOP DRAWINGS.
  - EXACT WIDTH OF GIRDER FLANGE WILL BE SLIGHTLY LESS THAN NORMAL WIDTH DUE TO GAP BETWEEN TOP FLANGES.

OPTIONAL SLEEVE/INSERT FOR EQUALIZATION DEVICE AND CLOSURE POUR FORM SUPPORTS, TYPICAL INTERIOR AND EXTERIOR GIRDERS.



\* STIRRUP AND TIE HOOK BEND DIMENSIONS. STIRRUPS AND TIES MUST HAVE A MINIMUM 1" COVER OUTSIDE OF BARS.  
 \*\* HOOKS AT ABUTMENT ENDS ONLY FOR JOINTS OR DISCONTINUITIES IN THE PARAPET, BUNDLE A #4(E) WITH THE G12A BARS FOR A DISTANCE EQUAL TO 8' FROM THE JOINT/DISCONTINUITY.  
 \*\*\*

SPAN 1	"T"		"X"	
	@ MIDSPAN	@ END GRD	@ MIDSPAN	@ END GRD

GIRDER WEIGHT ..... LB/FT

REVISIONS			DESIGNED
NO.	DATE	BY	DESCRIPTION

DESIGNED: DESIGN CHECKED: DETAILED: DWG. CHECKED: CORRECTIONS:

SCALES SHOWN ARE FOR 11" X 17" PRINTS ONLY  
 CADD FILE NAME: Standards/Bridge Standard Drawings/B05\_4E.DGN  
 DRAWING DATE: OCT 2023

**IDAHO TRANSPORTATION DEPARTMENT**  
 YOUR Safety → YOUR Mobility → YOUR Economic Opportunity

APPROVED BY: BRIDGE ENGINEER MICHAEL T. JOHNSON DATE: \_\_\_\_\_

**ENGLISH**  
 PROJECT NO. \_\_\_\_\_

**PRESTRESSED DECK BULB TEE GIRDER**  
 STATE SYSTEM  
 BRIDGE LRFD DESIGN MANUAL, B5.4E

**BRIDGE PLANS**  
 BRIDGE KEY NO. \_\_\_\_\_  
 COUNTY \_\_\_\_\_ KEY NO. \_\_\_\_\_  
 BRIDGE DWG. NO. \_\_\_\_\_ SHEET \_\_\_\_\_ OF \_\_\_\_\_