

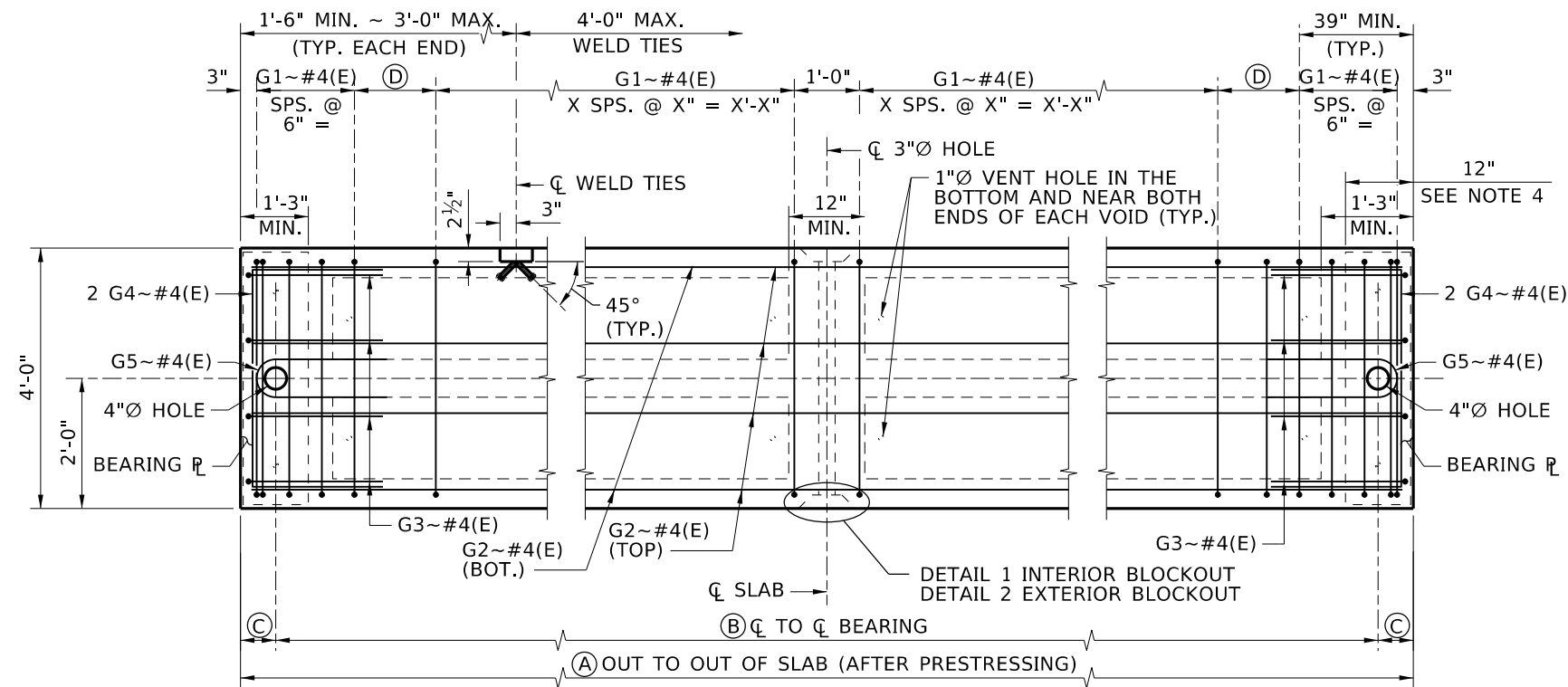
**PRESTRESSED SLAB SCHEDULE**

SLAB		PRESTRESS FORCE ~ KIPS		PRESTRESS LOSSES ~ KSI		CONCRETE STRENGTH ~ KSI		SLAB DIMENSIONS				C.G. OF STRAND		
NO.	LOCATION	INITIAL BEFORE LOSSES	FINAL AFTER LOSSES	IMMEDIATE LOSSES	FINAL TOTAL LOSSES	AT RELEASE f'ci	AT 28 DAYS f'c	(A)	(B)	(C) LEFT	(C) RIGHT	(D) LEFT	(D) RIGHT	(b)

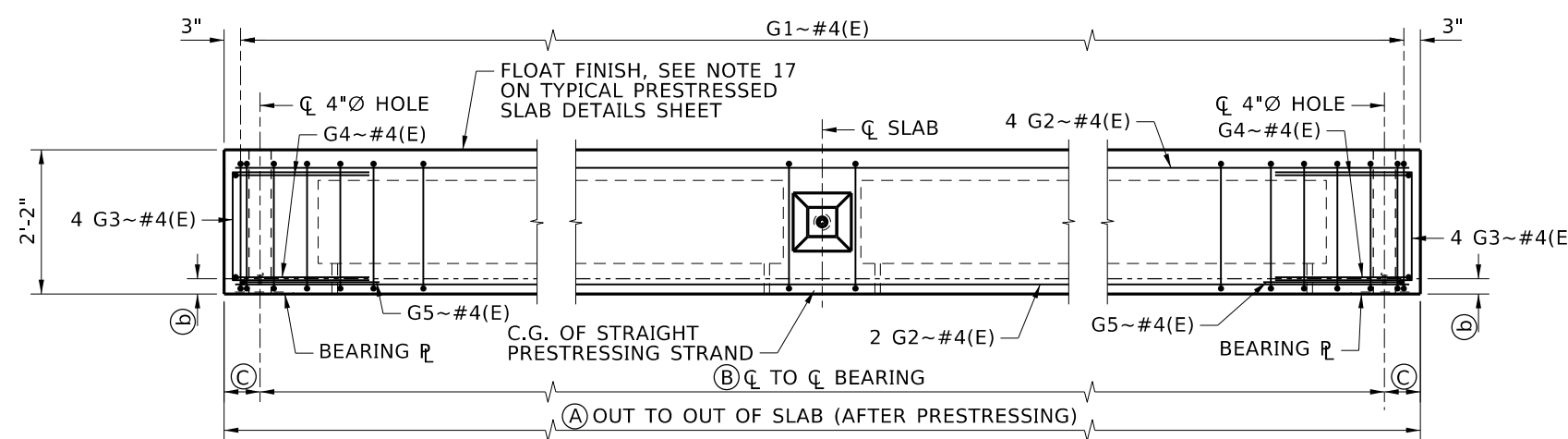
\* STIRRUP AND TIE HOOK BEND DIMENSIONS.  
APPROXIMATE SLAB SHIPPING WEIGHT IS 917 LB/FT.  
STIRRUPS AND TIES MUST HAVE A MINIMUM 1" COVER OUTSIDE OF BARS.

**NOTES**

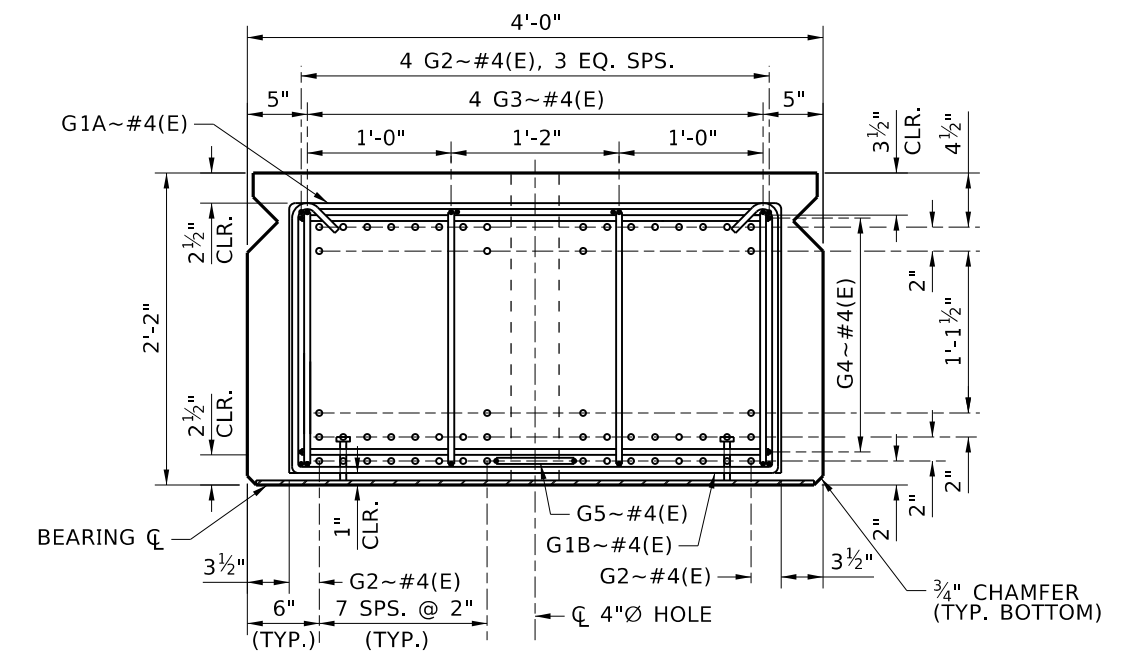
1. DIMENSIONS TO STIRRUPS AND DOWELS ARE GIVEN AT C OF SLAB
2. FOR NOTES, BLOCKOUT, BEARING PLATE AND MISCELLANEOUS DETAILS, SEE PRESTRESSED SLAB DETAILS, SHEET NO. \_\_\_\_\_
3. BEND DETAILS IN ACCORDANCE WITH LATEST ACI STANDARD PRACTICE.
4. REINFORCEMENT IN ACCORDANCE WITH AASHTO ARTICLE 5.9.4.4.1.
5. FOR TIE ROD LAYOUT, SEE FRAMING PLAN, SHEET NO. \_\_\_\_\_
6. KEYWAY IS TYPICAL EACH SIDE OF SLAB EXCEPT EXTERIOR SIDE OF EXTERIOR SLABS. OMIT KEYWAY ON OUTSIDE OF EXTERIOR SLABS ONLY.



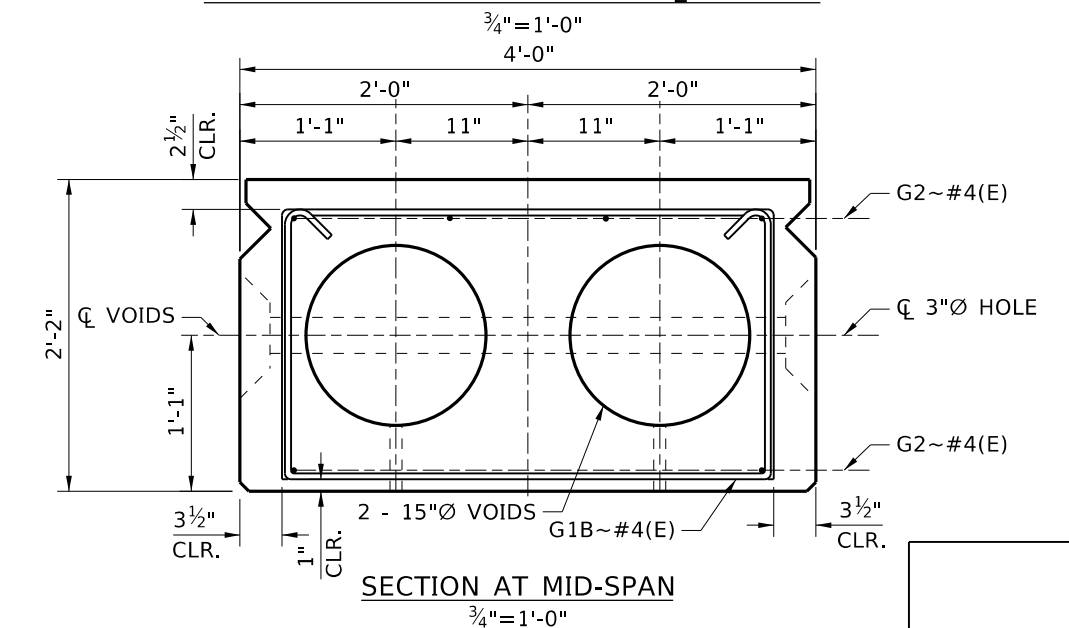
**PLAN**  
3/8" = 1'-0"



**ELEVATION**  
3/8" = 1'-0"



**STRAND LAYOUT & SECTION AT C BEARING**



**SECTION AT MID-SPAN**  
3/4" = 1'-0"

REVISIONS			
NO.	DATE	BY	DESCRIPTION

DESIGNED
DESIGN CHECKED
DETAILED
DWG. CHECKED
CORRECTIONS

SCALES SHOWN ARE FOR 11" X 17" PRINTS ONLY
CADD FILE NAME
Standards/Bridge Standard Drawings/805_5F.dgn
DRAWING DATE: DEC 2024

**IDAHO TRANSPORTATION DEPARTMENT**  
 YOUR Safety → YOUR Mobility → YOUR Economic Opportunity  
 APPROVED BY: BRIDGE ENGINEER **MICHAEL T. JOHNSON** DATE: \_\_\_\_\_

**ENGLISH**  
PROJECT NO.

**2'-2" PRESTRESSED VOIDED SLAB**  
  
 OFF SYSTEM AND LOCAL ROADS  
 BRIDGE LRFD DESIGN MANUAL B5.5F

BRIDGE PLANS	
BRIDGE KEY NO.	
COUNTY	KEY NO.
BRIDGE DWG. NO.	SHEET OF