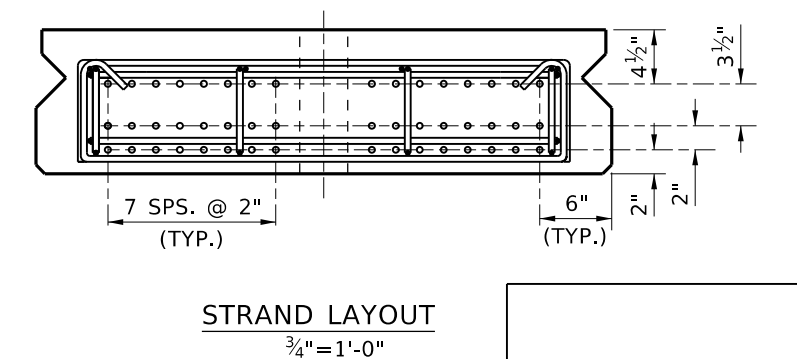
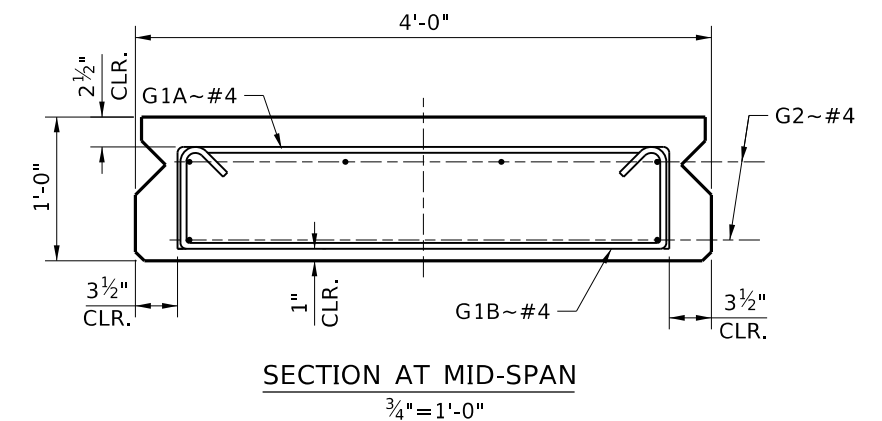
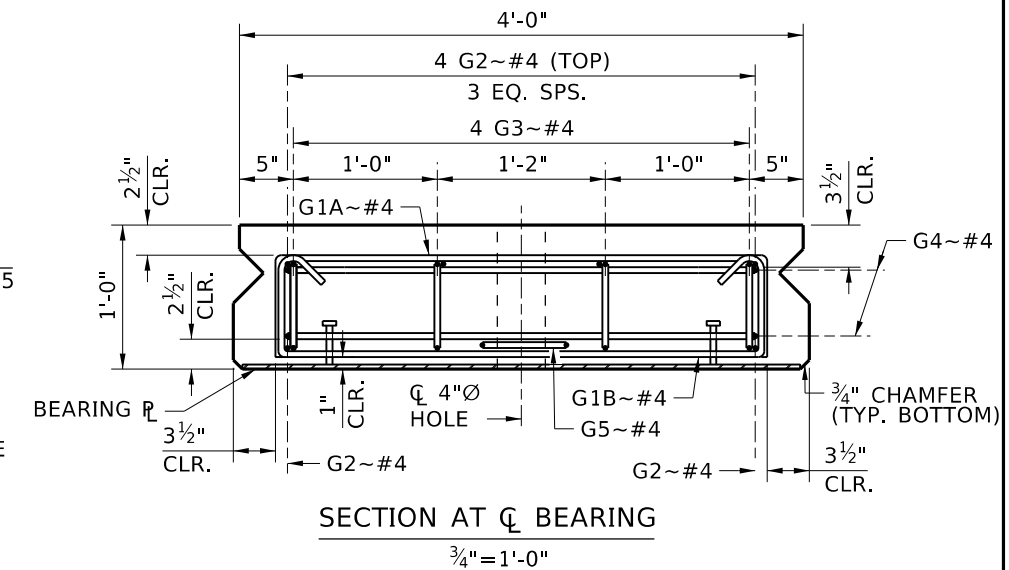
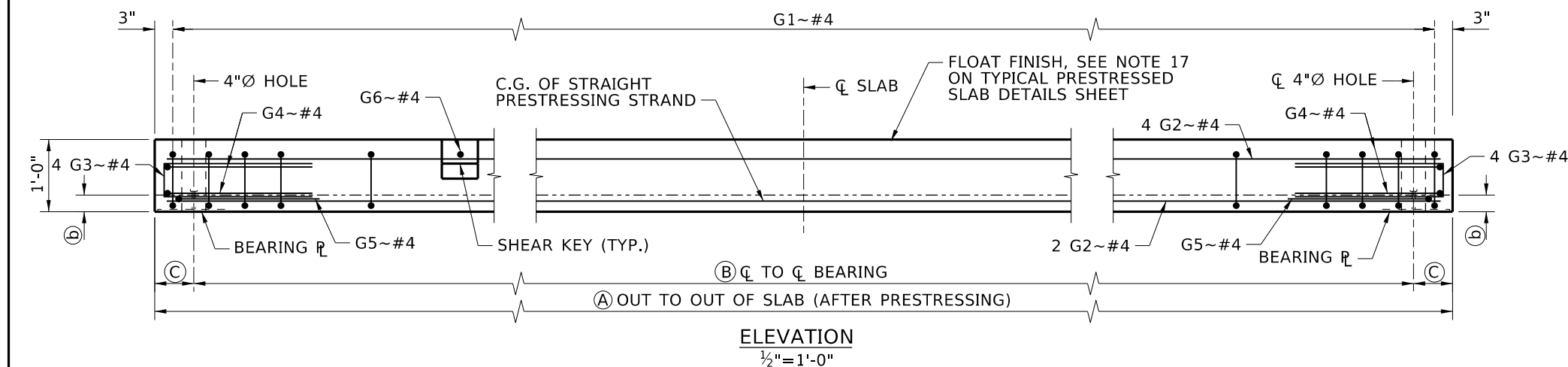
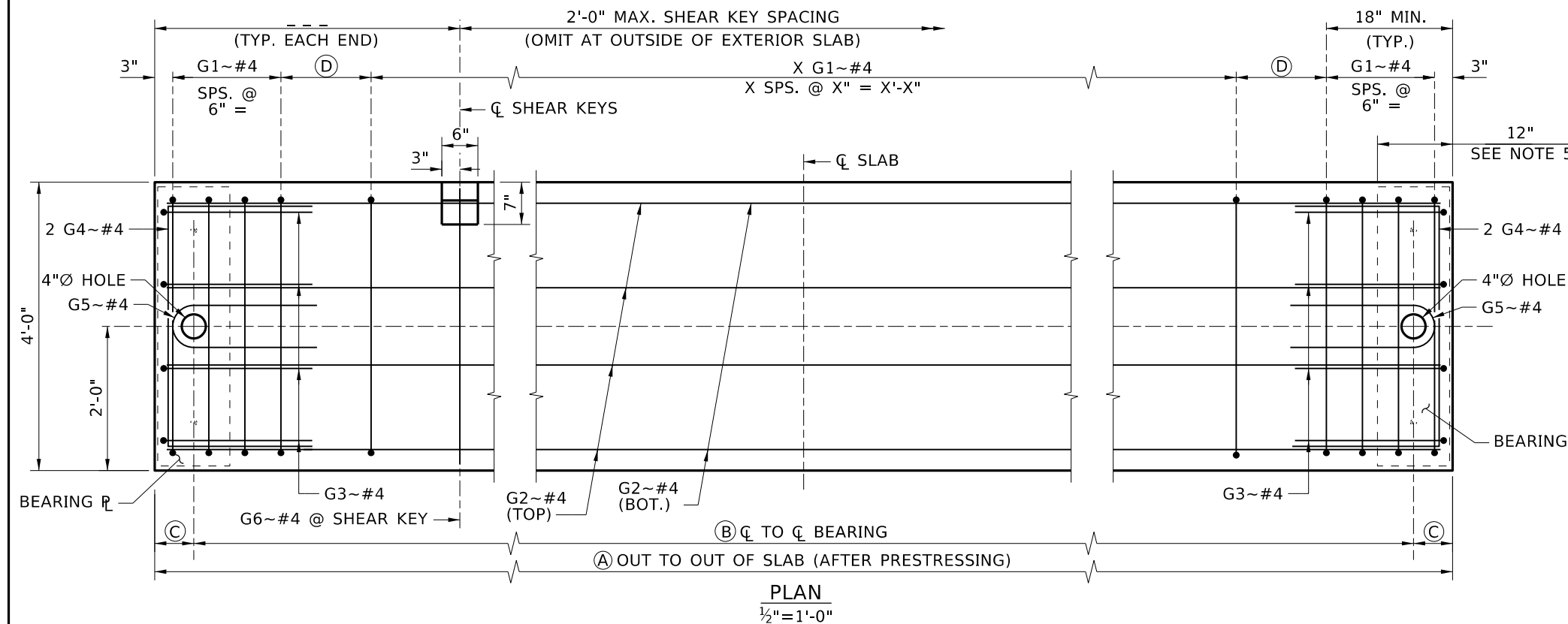


PRESTRESSED SLAB SCHEDULE

SLAB		PRESTRESS FORCE ~ KIPS		PRESTRESS LOSSES ~ KSI		CONCRETE STRENGTH ~ KSI		SLAB DIMENSIONS				C.G. OF STRAND		
NO.	LOCATION	INITIAL BEFORE LOSSES	FINAL AFTER LOSSES	IMMEDIATE LOSSES	FINAL TOTAL LOSSES	AT RELEASE f'ci	AT 28 DAYS f'c	(A)	(B)	(C) LEFT	(C) RIGHT	(D) LEFT	(D) RIGHT	(b)

NOTES

1. DIMENSIONS TO STIRRUPS AND DOWELS ARE GIVEN AT \bar{C} OF SLAB
2. FOR NOTES, BLOCKOUT, BEARING PLATE, AND DETAILS, SEE TYPICAL PRESTRESSED SLAB DETAILS SHEET.
3. SEE PARAPET DETAILS ON SHEET NO. .
4. APPROXIMATE SLAB SHIPPING WEIGHT IS 585 LB/FT.
5. REINFORCEMENT IN ACCORDANCE WITH AASHTO ARTICLE 5.9.4.4.1.
6. KEYWAY IS TYPICAL EACH SIDE OF SLABS EXCEPT EXTERIOR SIDE OF EXTERIOR SLABS. OMIT KEYWAY ON OUTSIDE OF EXTERIOR SLABS ONLY.



REVISIONS			
NO.	DATE	BY	DESCRIPTION

DESIGNED
DESIGN CHECKED
DETAILED
DWG. CHECKED
CORRECTIONS

SCALES SHOWN ARE FOR 11" X 17" PRINTS ONLY
 CADD FILE NAME
 Standards/Bridge Standard Drawings/805_6A.DGN.dgn
 DRAWING DATE: OCT 2023

IDAHO TRANSPORTATION DEPARTMENT
 YOUR Safety → YOUR Mobility → YOUR Economic Opportunity
 APPROVED BY: BRIDGE ENGINEER **MICHAEL T. JOHNSON** DATE: _____

ENGLISH
PROJECT NO.

12" PRESTRESSED SOLID SLAB

 STATE SYSTEM
 BRIDGE LRFD DESIGN MANUAL, B5.6A

BRIDGE PLANS	
BRIDGE KEY NO.	
COUNTY	KEY NO.
BRIDGE DWG. NO.	SHEET OF