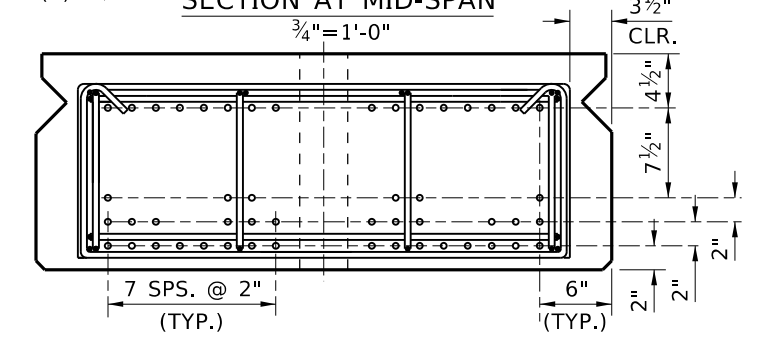
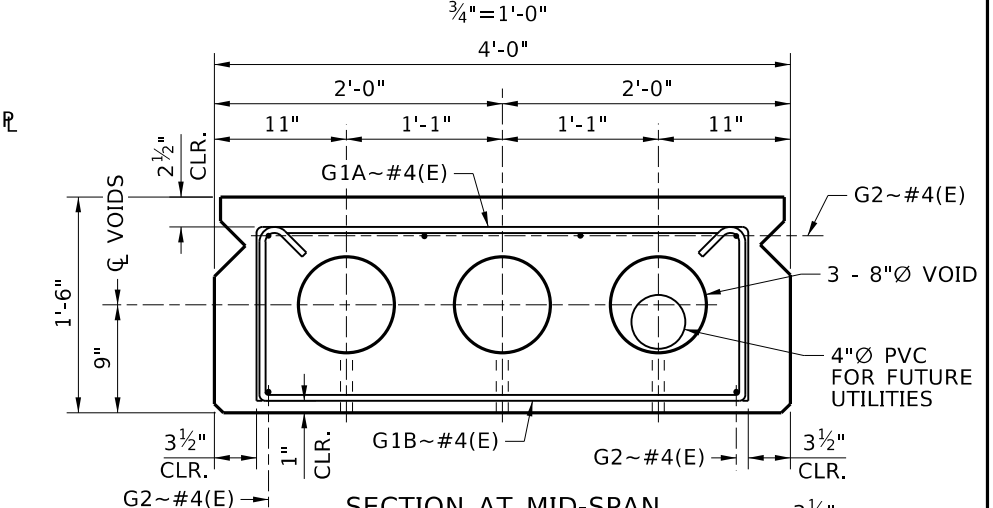
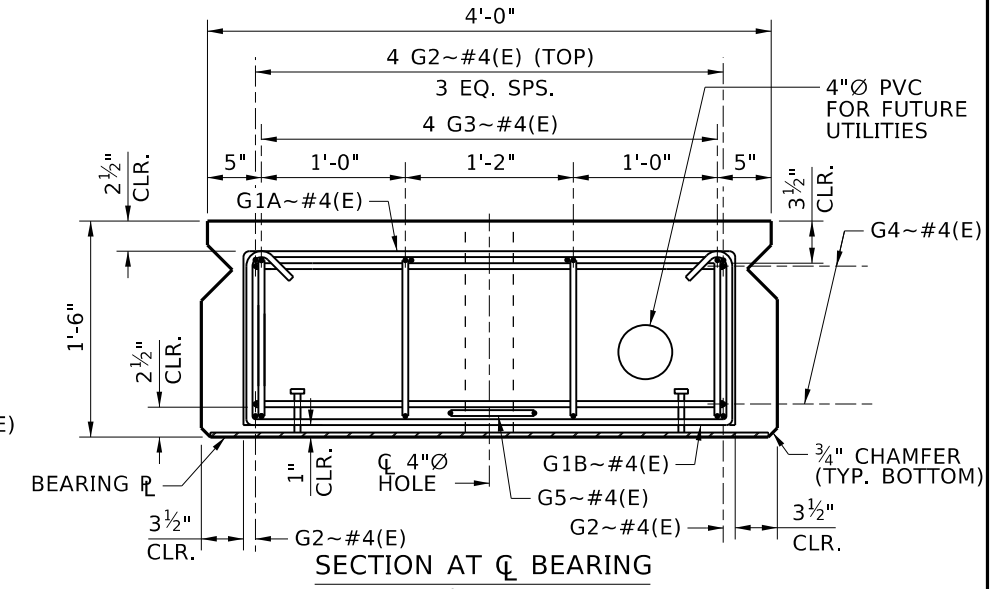
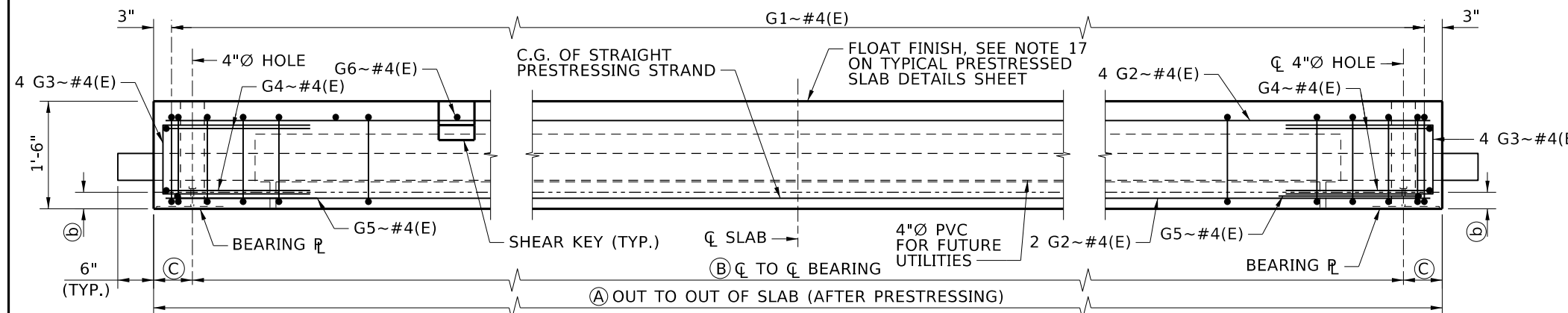
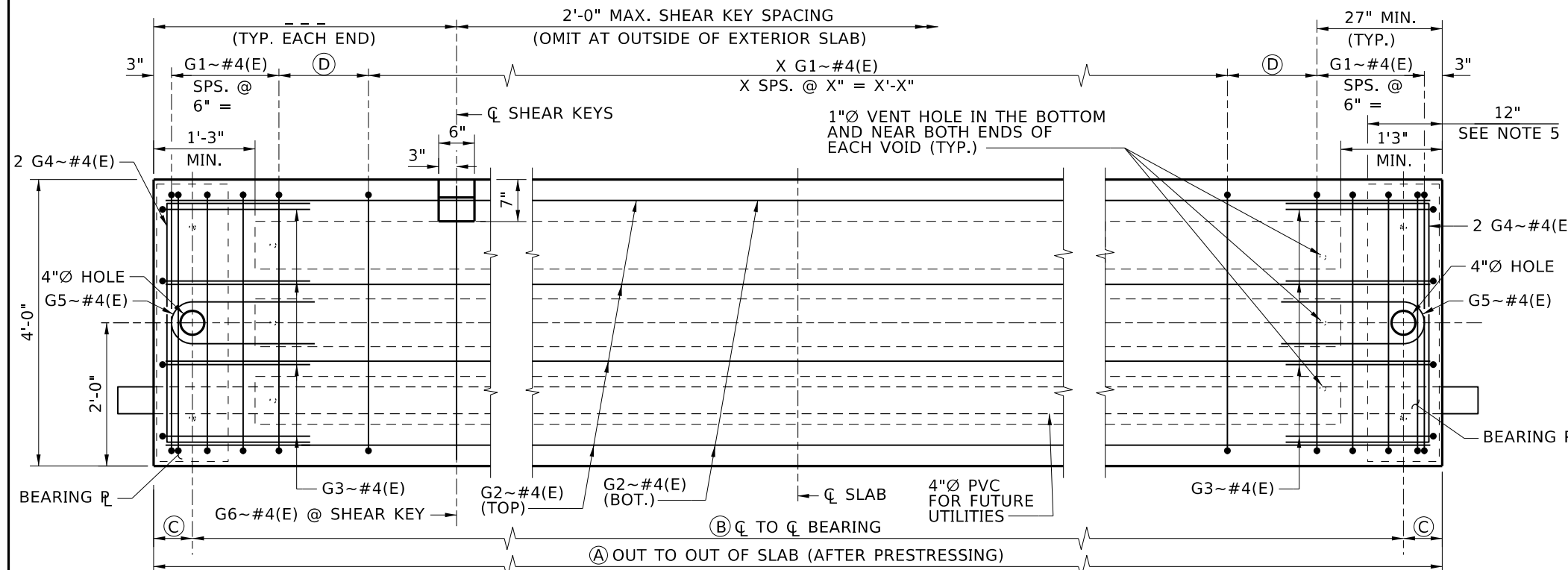


**PRESTRESSED SLAB SCHEDULE**

SLAB NO.	LOCATION	PRESTRESS FORCE ~ KIPS		PRESTRESS LOSSES ~ KSI		CONCRETE STRENGTH ~ KSI		SLAB DIMENSIONS				C.G. OF STRAND (b)											
		INITIAL BEFORE LOSSES	FINAL AFTER LOSSES	IMMEDIATE LOSSES	FINAL TOTAL LOSSES	AT RELEASE f'ci	AT 28 DAYS f'c	(A)	(B)	(C) LEFT	(C) RIGHT		(D) LEFT	(D) RIGHT									

**NOTES**

1. DIMENSIONS TO STIRRUPS AND DOWELS ARE GIVEN AT C<sub>L</sub> OF SLAB
2. FOR NOTES, BLOCKOUT, BEARING PLATE, AND DETAILS, SEE TYPICAL PRESTRESSED SLAB DETAILS SHEET.
3. SEE PARAPET DETAILS ON SHEET NO.     .
4. APPROXIMATE SLAB SHIPPING WEIGHT IS 728 LB/FT.
5. REINFORCEMENT IN ACCORDANCE WITH AASHTO ARTICLE 5.9.4.4.1.
6. KEYWAY IS TYPICAL EACH SIDE OF SLABS EXCEPT EXTERIOR SIDE OF EXTERIOR SLABS. OMIT KEYWAY ON OUTSIDE OF EXTERIOR SLABS ONLY.



REVISIONS		
NO.	DATE	DESCRIPTION

DESIGNED
DESIGN CHECKED
DETAILED
DWG. CHECKED
CORRECTIONS

SCALES SHOWN ARE FOR 11" X 17" PRINTS ONLY  
 CADD FILE NAME: Standards/Bridge Standard Drawings/B05\_6D.dgn  
 DRAWING DATE: DEC 2024

**IDAHO TRANSPORTATION DEPARTMENT**  
 YOUR Safety → YOUR Mobility → YOUR Economic Opportunity  
 APPROVED BY: BRIDGE ENGINEER **MICHAEL T. JOHNSON** DATE:     

**ENGLISH**  
 PROJECT NO.     

**1'-6" PRESTRESSED VOIDED SLAB**  
 STATE SYSTEM  
 BRIDGE LRFD DESIGN MANUAL, B5.6D

BRIDGE PLANS	
BRIDGE KEY NO. <u>    </u>	
COUNTY <u>    </u>	KEY NO. <u>    </u>
BRIDGE DWG. NO. <u>    </u>	SHEET <u>    </u> OF <u>    </u>