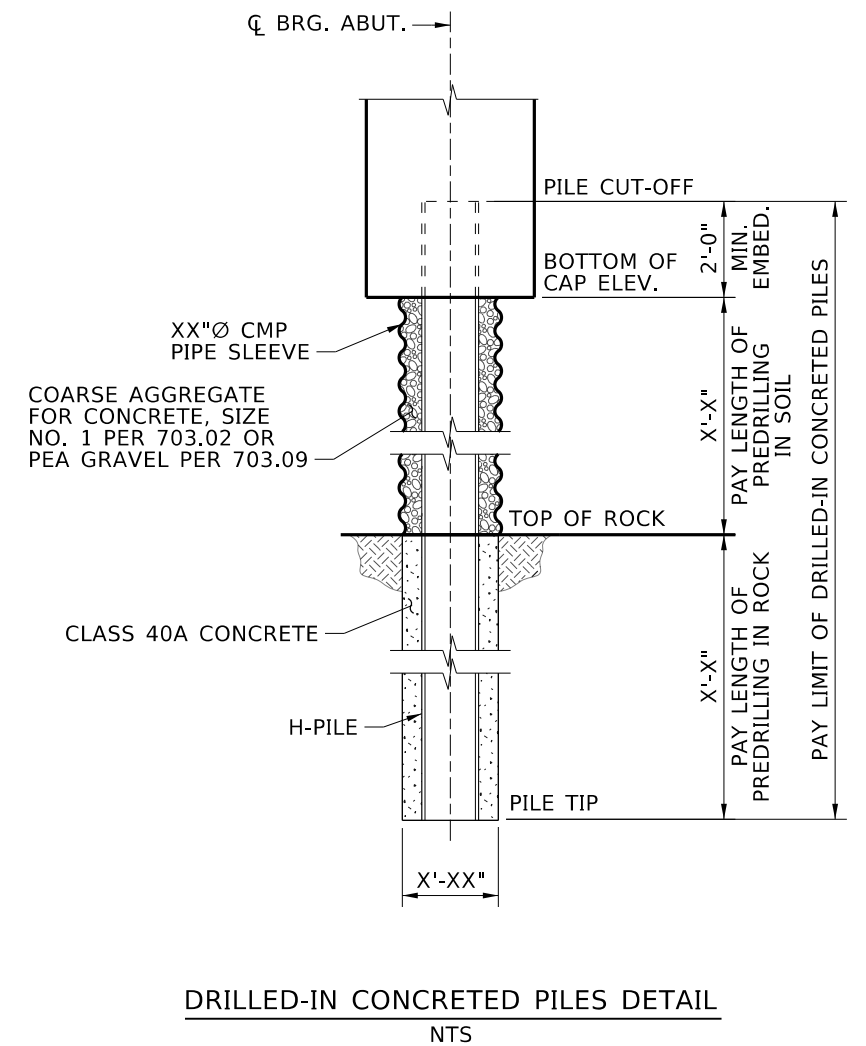
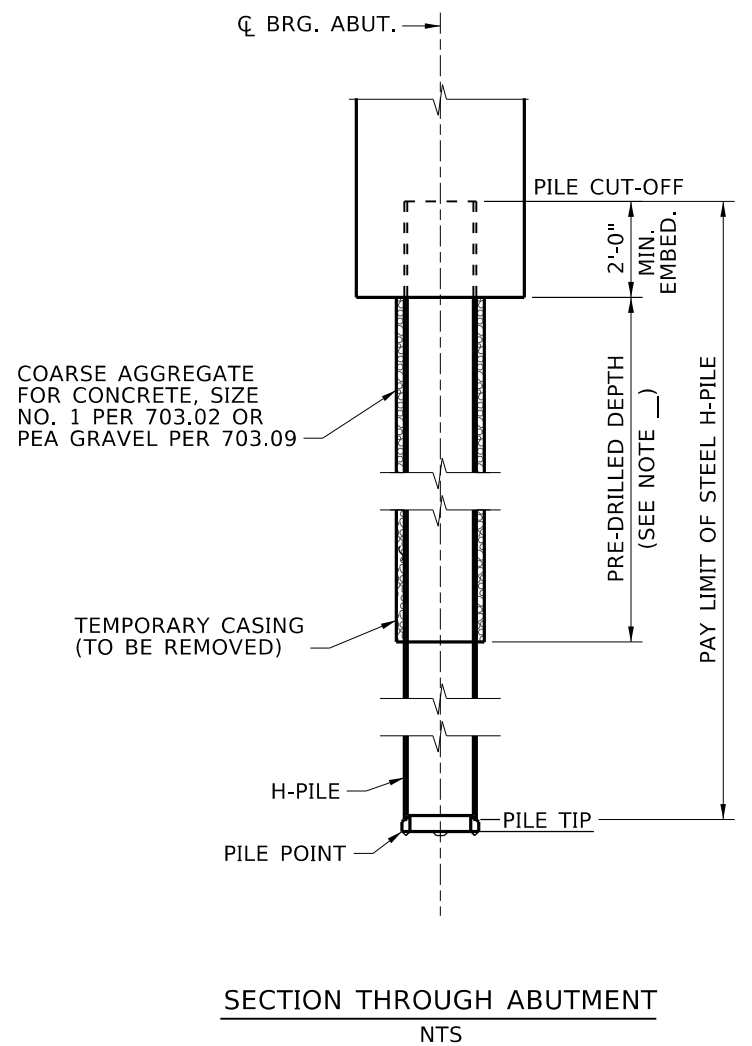
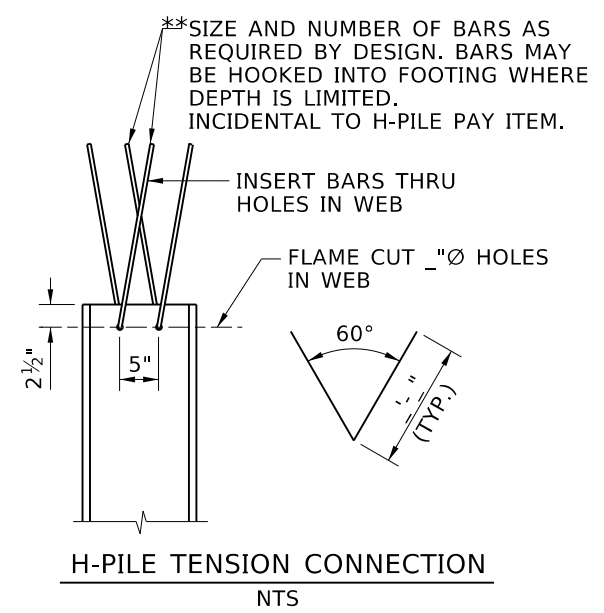


NOTE TO DESIGNER
 **LRFD ARTICAL 5.11.3.2.1 REQUIRES TENSION CONNECTION FOR STRUCTURES IN SEISMIC ZONE 2 OR GREATER. MINIMUM UPLIFT FORCE MUST NOT BE TAKEN LESS THAN 10 PERCENT OF THE FACTORED AXIAL COMPRESSIVE RESISTANCE OF THE PILE.



REVISIONS			
NO.	DATE	BY	DESCRIPTION

DESIGNED
DESIGN CHECKED
DETAILED
DWG. CHECKED
CORRECTIONS

SCALES SHOWN ARE FOR 11" X 17" PRINTS ONLY
 CADD FILE NAME
 Standards/Bridge Standard Drawings/ B10_3.DGN
 DRAWING DATE: DEC 2024

IDAHO TRANSPORTATION DEPARTMENT

YOUR Safety→YOUR Mobility→YOUR Economic Opportunity

APPROVED BY: BRIDGE ENGINEER **MICHAEL T. JOHNSON** DATE: _____

ENGLISH
 PROJECT NO.

H-PILE DETAILS

BRIDGE LRFD DESIGN MANUAL, B10.3

BRIDGE PLANS	
BRIDGE KEY NO.	
COUNTY	KEY NO.
BRIDGE DWG. NO.	SHEET OF