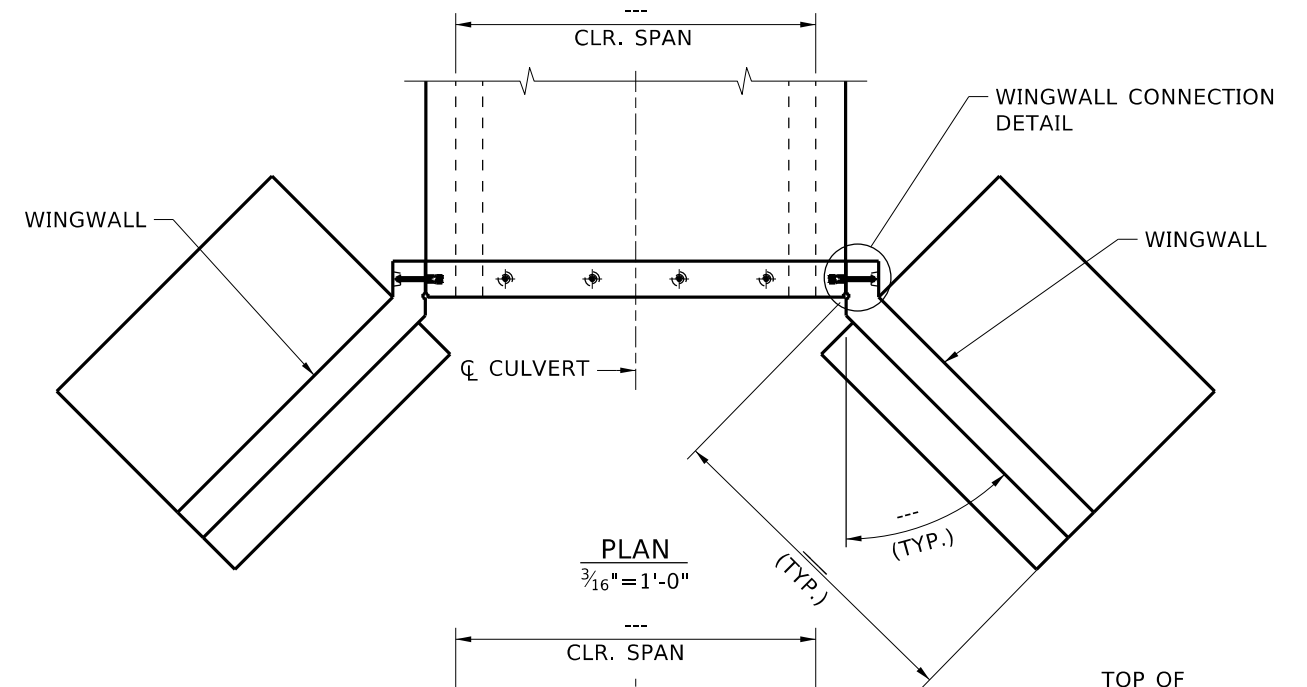
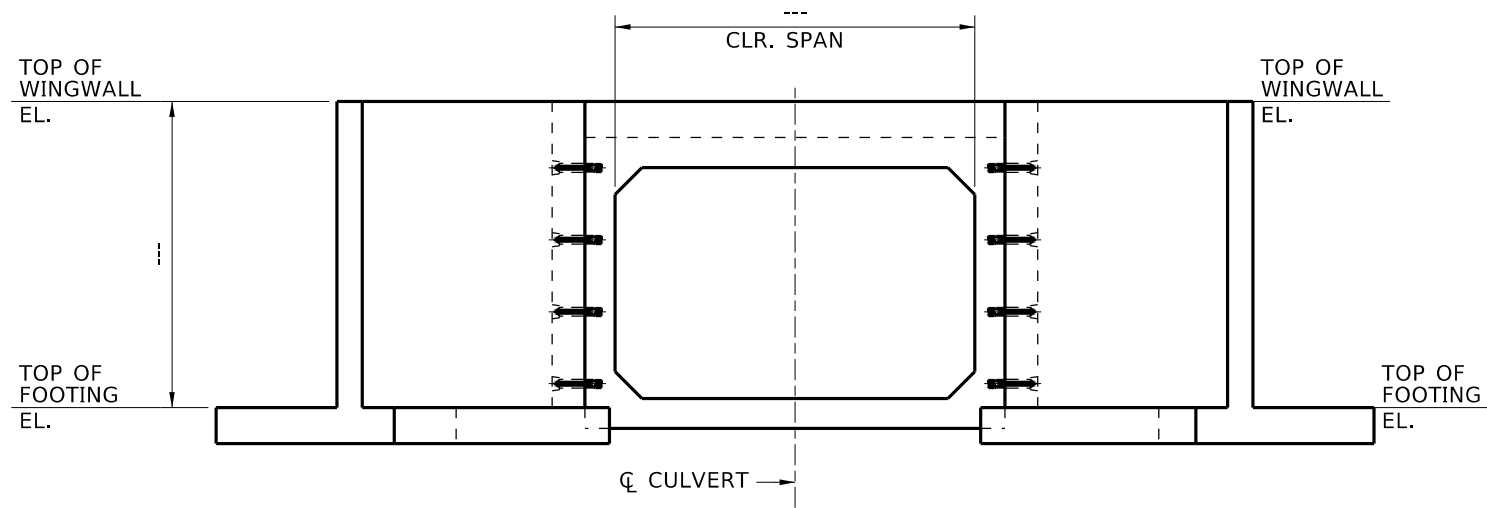


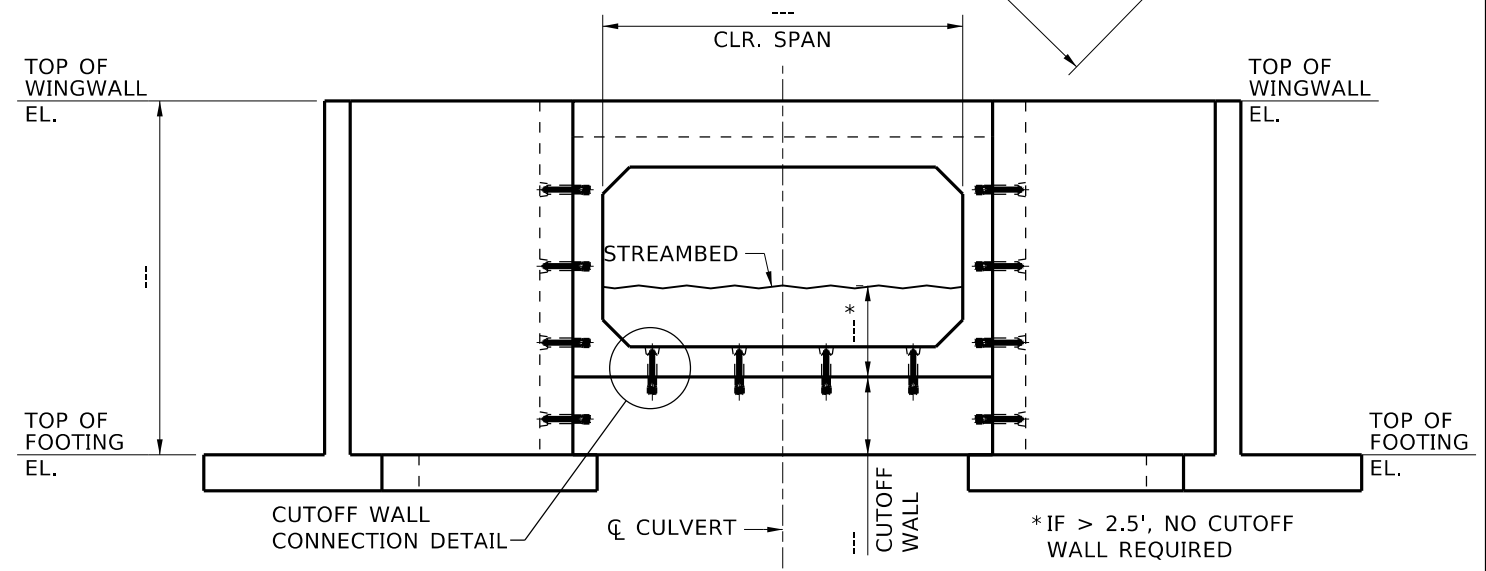
PLAN
3/16" = 1'-0"



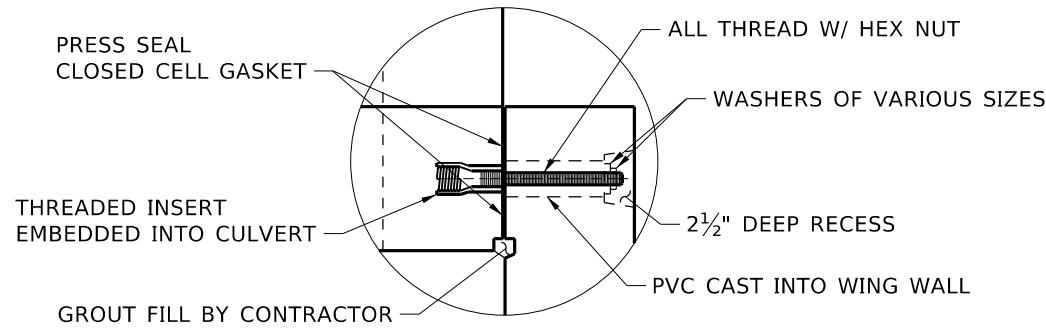
PLAN
3/16" = 1'-0"



ELEVATION
3/16" = 1'-0"

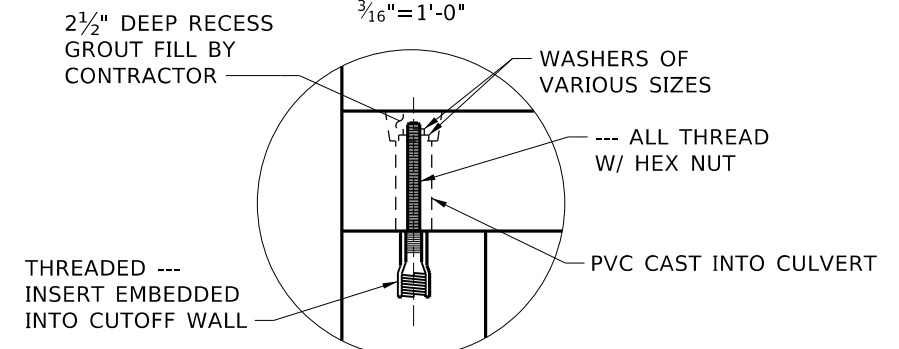


ELEVATION
3/16" = 1'-0"



WINGWALL CONNECTION DETAIL
1 1/2" = 1'-0"

PRECAST WINGWALL



CUTOFF WALL CONNECTION DETAIL
1 1/2" = 1'-0"

PRECAST CUTOFF WALL

REVISIONS			
NO.	DATE	BY	DESCRIPTION

DESIGNED
DESIGN CHECKED
DETAILED
DWG. CHECKED
CORRECTIONS

SCALES SHOWN ARE FOR 11" X 17" PRINTS ONLY
CADD FILE NAME
Standards\Bridg Standard Drawings\B12_4.DGN
DRAWING DATE: DEC 2024

IDAHO TRANSPORTATION DEPARTMENT

YOUR Safety → YOUR Mobility → YOUR Economic Opportunity

APPROVED BY: BRIDGE ENGINEER **MICHAEL T. JOHNSON** DATE: _____

ENGLISH PROJECT NO. _____

MISCELLANEOUS PRECAST CULVERT DETAILS

BRIDGE LRFD DESIGN MANUAL, B12.4

BRIDGE PLANS	
BRIDGE KEY NO.	
COUNTY	KEY NO.
BRIDGE DWG. NO.	SHEET OF