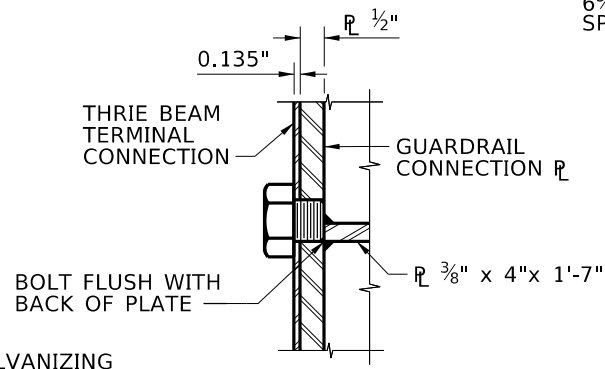
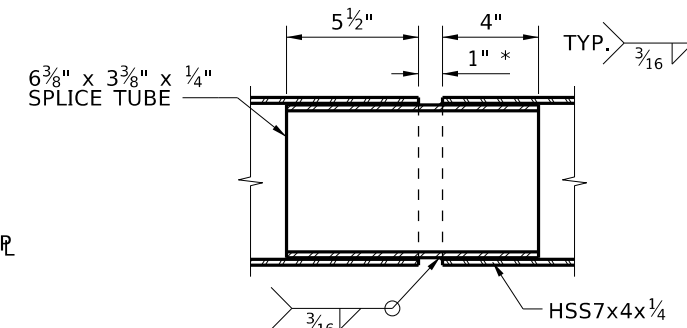


ANCHOR PLATE DETAIL
(ASTM A709 GRADE 36)
1 1/2" = 1'-0"



DETAIL 1
3" = 1'-0"



NOTE TO DESIGNER
* 1" GAP UNLESS NOTED OTHERWISE.
IF MORE THAN 2" MOVEMENT NEEDED, INCREASE LENGTH OF SPLICE TUBE.
PROVIDE RAIL SPLICE IN PANEL THAT HAS DECK EXPANSION JOINT.

RAIL SPLICE DETAILS
1 1/2" = 1'-0"

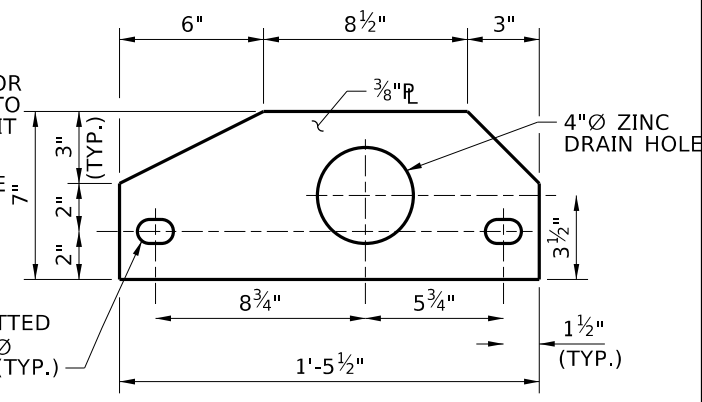
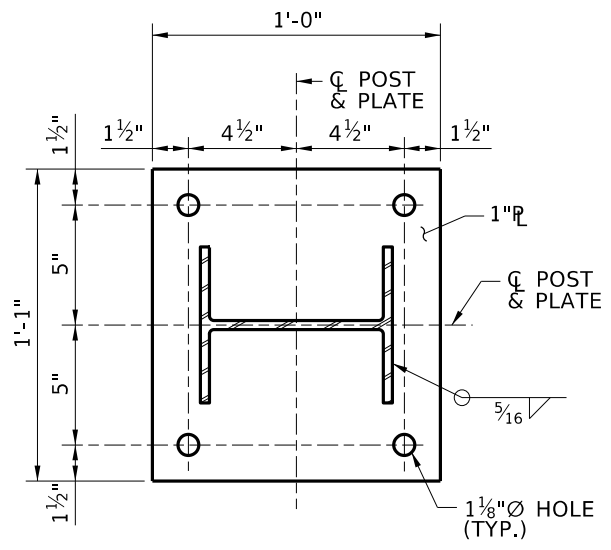


PLATE "A"
(ASTM A709 GRADE 36)
1 1/2" = 1'-0"



BASE PLATE DETAIL
1 1/2" = 1'-0"

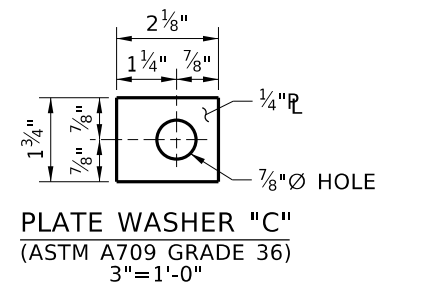
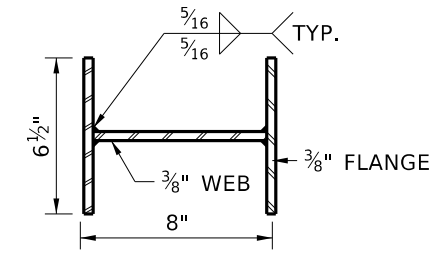
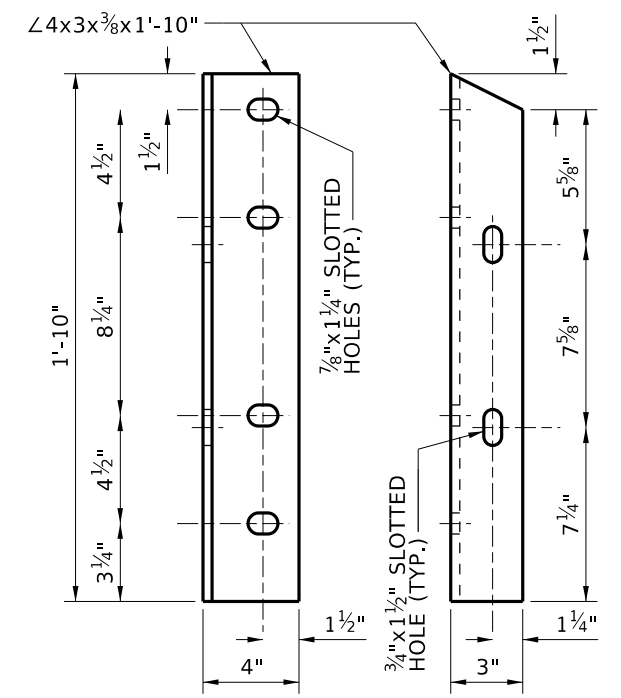


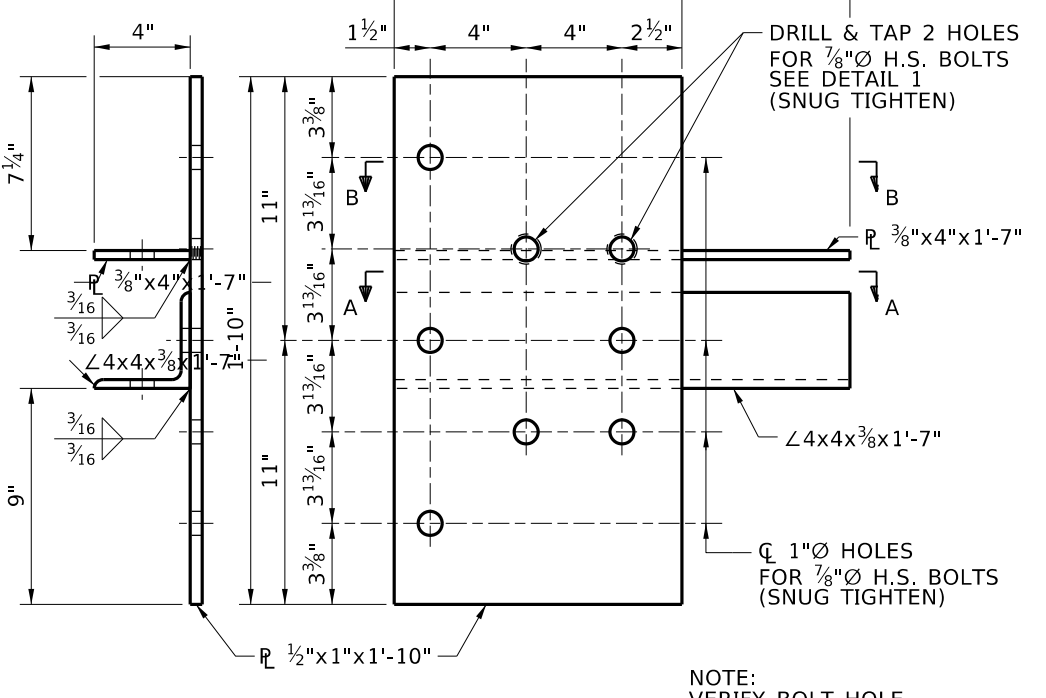
PLATE WASHER "C"
(ASTM A709 GRADE 36)
3" = 1'-0"



ALTERNATE POST
1 1/2" = 1'-0"

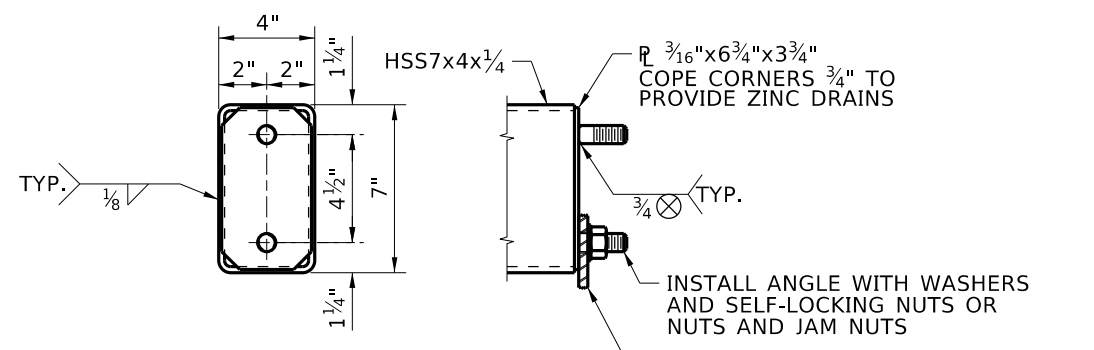


CONNECTION ANGLE "B"
(ASTM A709 GRADE 36)
1 1/2" = 1'-0"

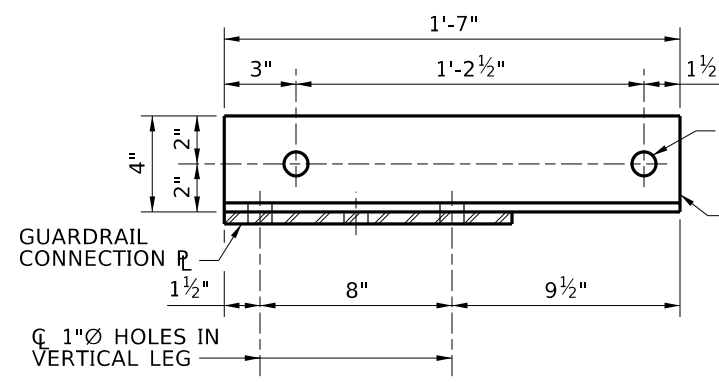


GUARDRAIL CONNECTION PLATE
(ASTM A709 GRADE 36)
1 1/2" = 1'-0"

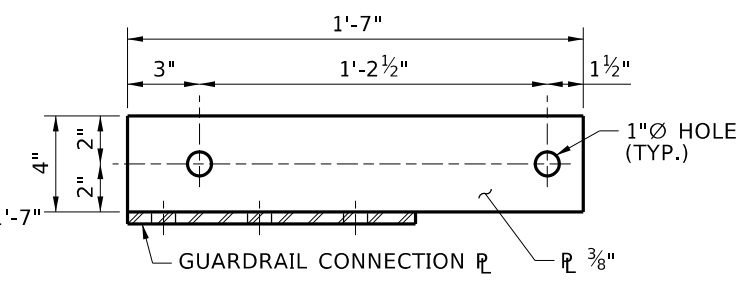
NOTE:
VERIFY BOLT HOLE
LOCATIONS MATCH
THREE BEAM TERMINAL
CONNECTOR



RAIL CAP DETAIL
1 1/2" = 1'-0"



SECTION A-A
1 1/2" = 1'-0"



SECTION B-B
1 1/2" = 1'-0"

REVISIONS		
NO.	DATE	DESCRIPTION

DESIGNED	1 1/2"
DESIGN CHECKED	
DETAILED	
DWG. CHECKED	
CORRECTIONS	

IDAHO TRANSPORTATION DEPARTMENT
 YOUR Safety → YOUR Mobility → YOUR Economic Opportunity
 APPROVED BY: **MICHAEL T. JOHNSON** DATE: _____
 SCALES SHOWN ARE FOR 11" X 17" PRINTS ONLY
 CADD FILE NAME: Standards/Bridge Standard Drawings/B13_2C.dgn
 DRAWING DATE: DEC 2024

ENGLISH
PROJECT NO.

3-TUBE CURB MOUNT RAIL - SHEET 3 OF 3
 WITHOUT END WALL
 WITH OR WITHOUT APPROACH SLAB
 BRIDGE LRFD DESIGN MANUAL, B13.2C

BRIDGE PLANS	
BRIDGE KEY NO.	
COUNTY	KEY NO.
BRIDGE DWG. NO.	SHEET OF