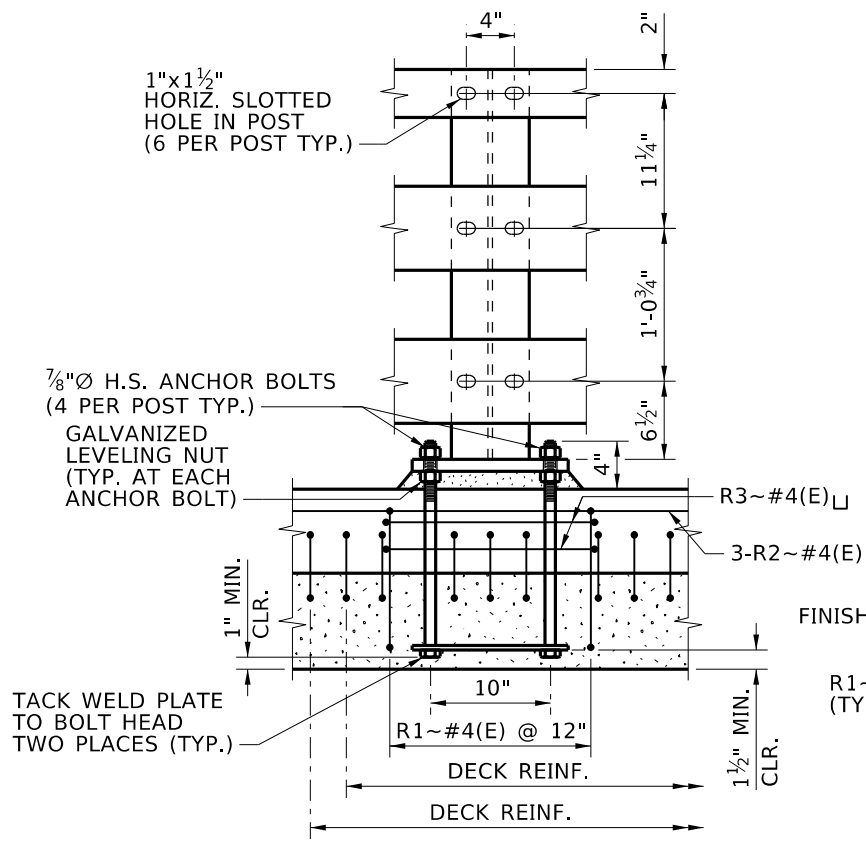
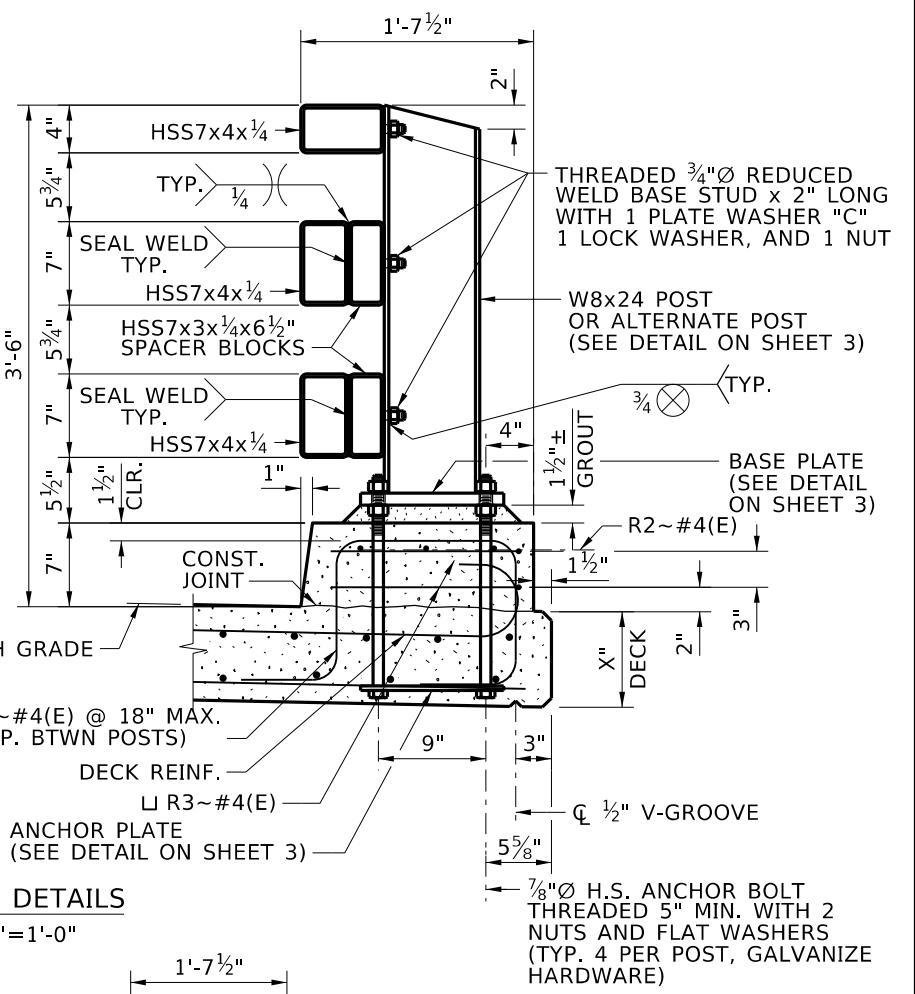


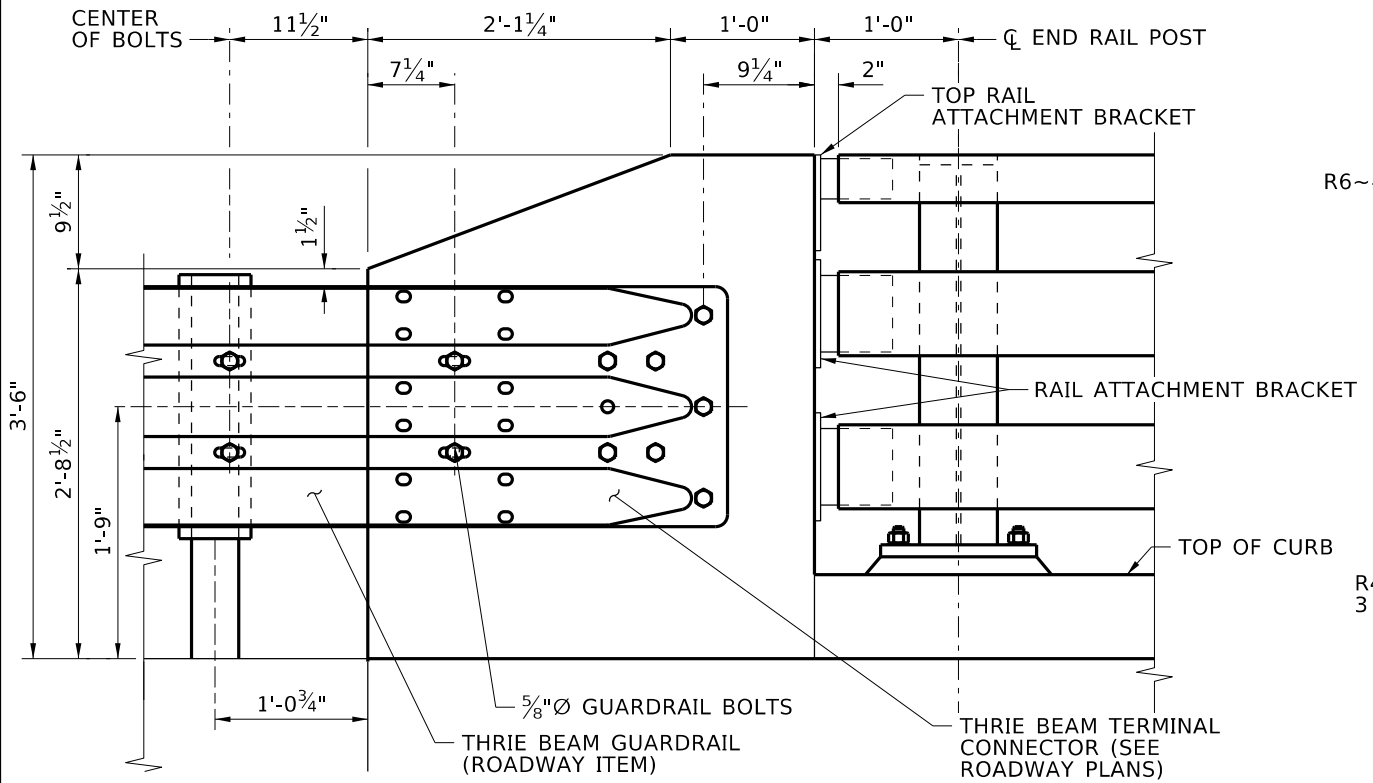
END WALL PLAN
3/4" = 1'-0"



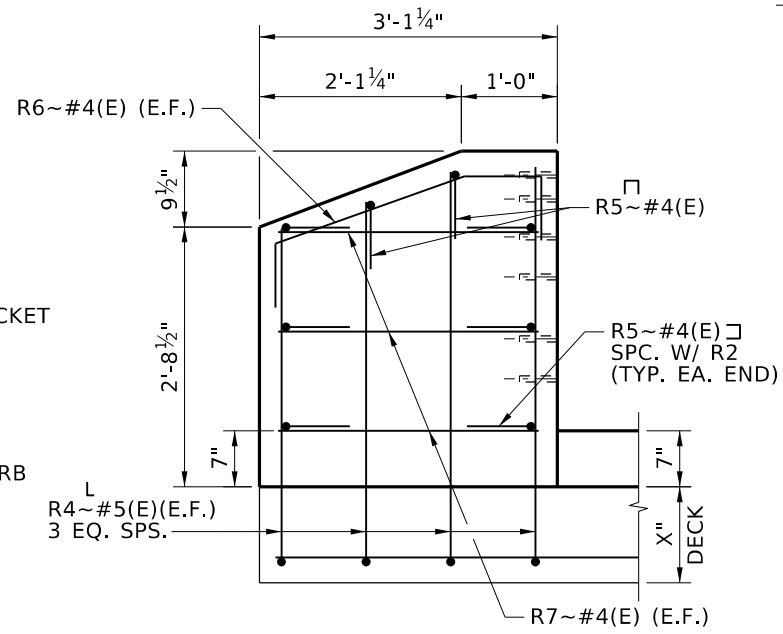
POST DETAILS
3/4" = 1'-0"



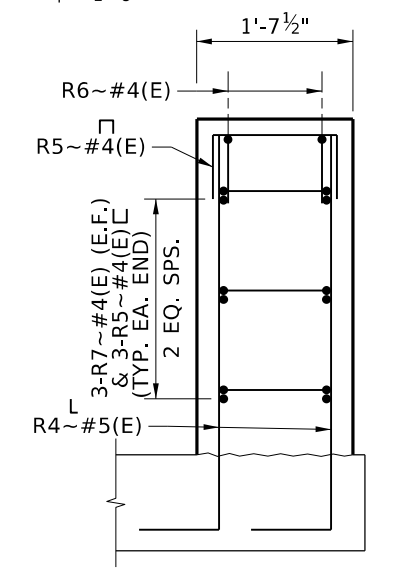
END VIEW
1/2" = 1'-0"



END WALL ELEVATION
3/4" = 1'-0"



END WALL ELEVATION
1/2" = 1'-0"



END WALL SECTION
1/2" = 1'-0"

REVISIONS		
NO.	DATE	DESCRIPTION

DESIGNED	SCALES SHOWN ARE FOR 11" X 17" PRINTS ONLY CADD FILE NAME: Standards\Bridg Standard Drawings\B13_2E.dgn DRAWING DATE: DEC 2024
DESIGN CHECKED	
DETAILED	
DWG. CHECKED	
CORRECTIONS	

IDAHO TRANSPORTATION DEPARTMENT

YOUR Safety → YOUR Mobility → YOUR Economic Opportunity

APPROVED BY: BRIDGE ENGINEER **MICHAEL T. JOHNSON** DATE: _____

ENGLISH
PROJECT NO.

3-TUBE CURB MOUNT RAIL - SHEET 2 OF 3
WITH END WALL
WITH OR WITHOUT APPROACH SLABS
BRIDGE LRFD DESIGN MANUAL B13.2E

BRIDGE PLANS	
BRIDGE KEY NO.	
COUNTY	KEY NO.
BRIDGE DWG. NO.	SHEET OF