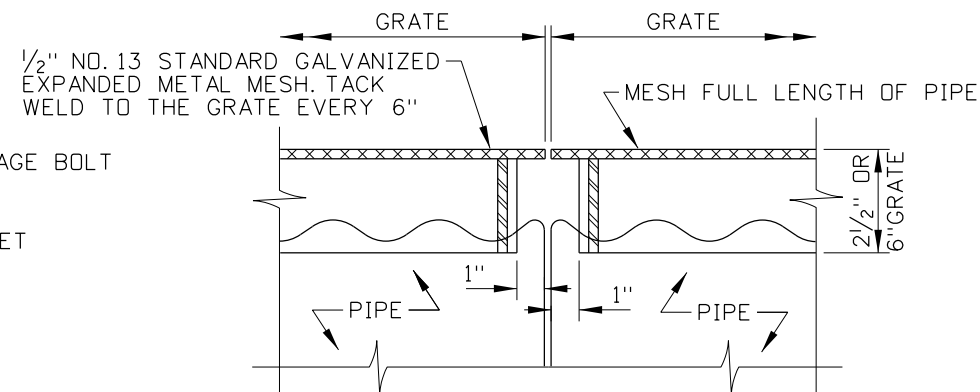
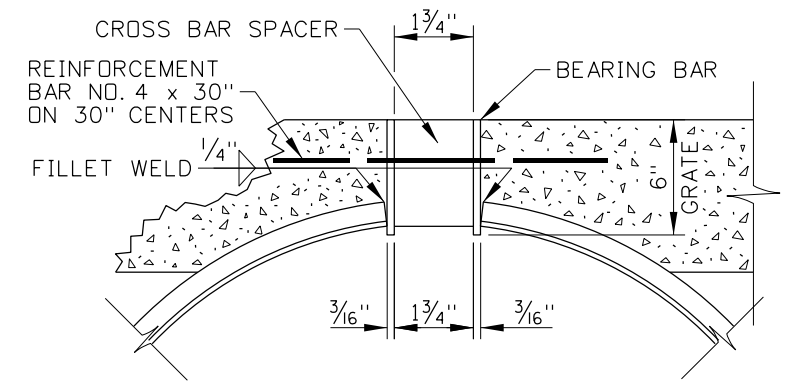


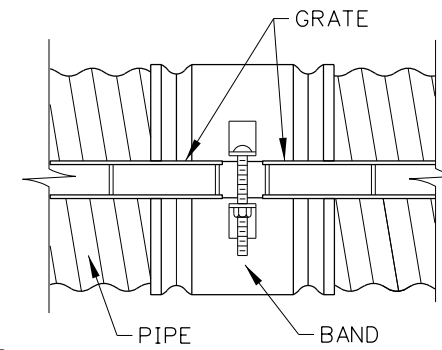
SECTION A-A



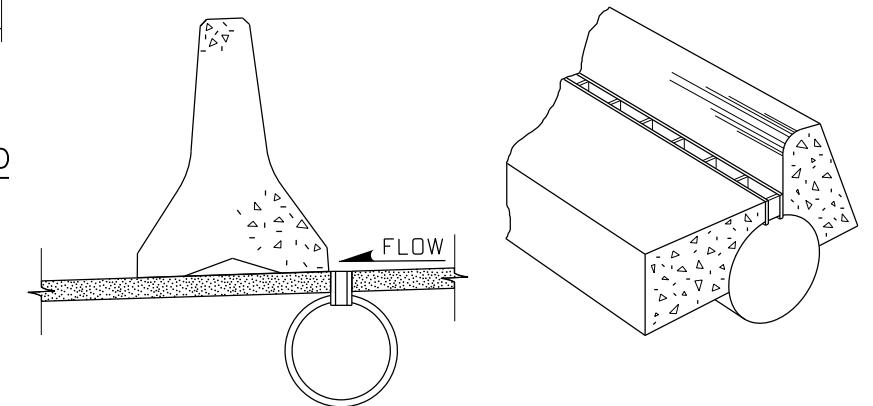
SECTION B-B



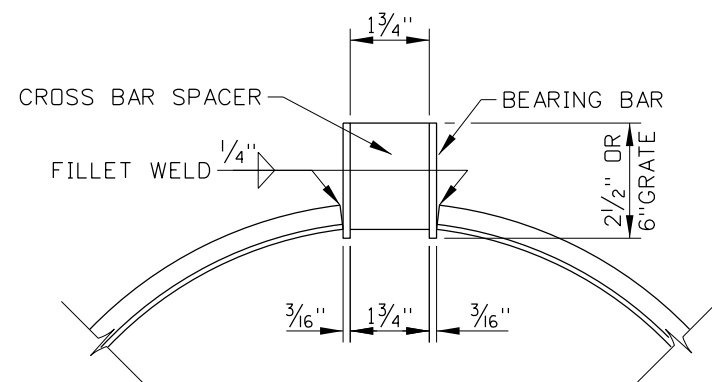
WHEN CONCRETE PAVEMENT IS USED
STANDARD GRATE SLOT DETAIL



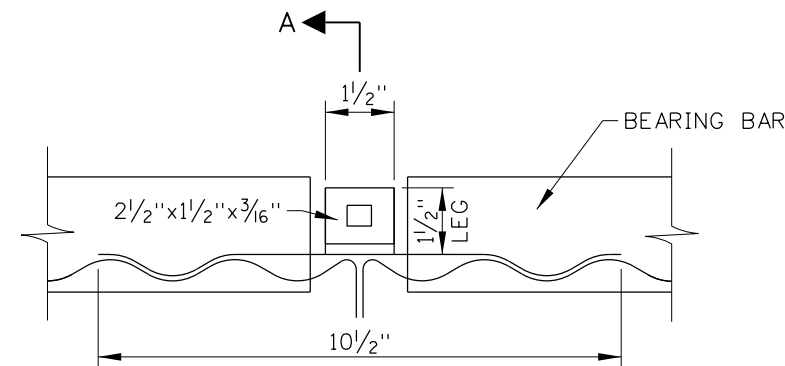
TOP VIEW
TYPICAL COUPLING BAND



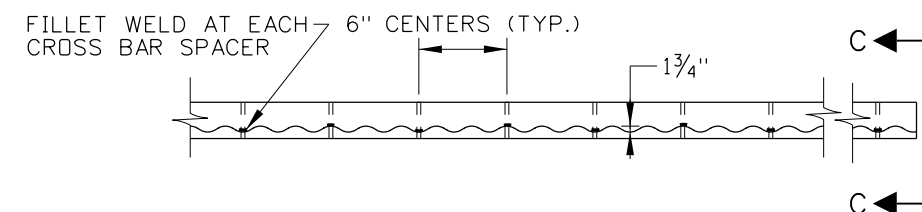
TYPICAL INSTALLATIONS



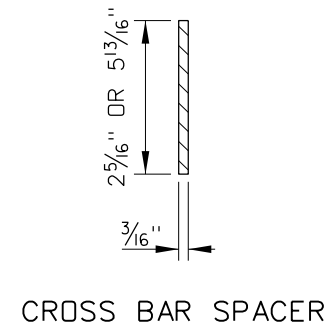
TYPE 1 - STANDARD GRATE SLOT DETAIL
SECTION C-C



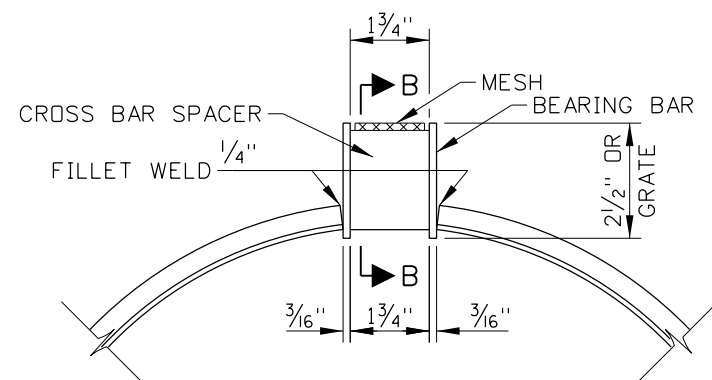
ELEVATION



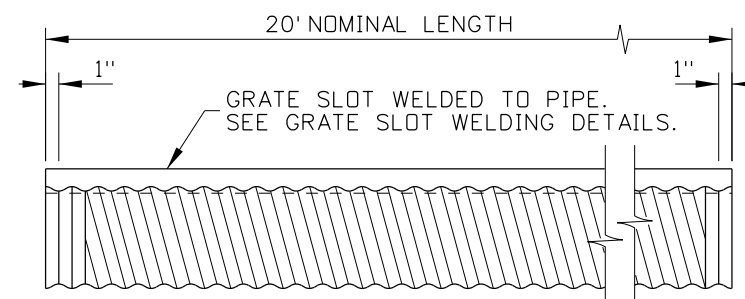
GRATE SLOT WELDING DETAIL



CROSS BAR SPACER



TYPE 2 - ALTERNATE GRATE SLOT DETAIL
FOR INCLUSION OF MESH
SECTION C'-C'

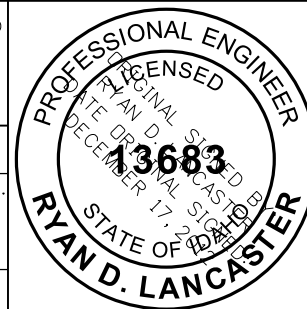


GRATE SLOT DRAIN

NOTES

1. USE MINIMUM PIPE THICKNESS OF 0.079 INCHES FOR SLOTTED DRAINS.
2. THE DEPTH OF GRATES ON SLOTTED DRAINS WILL BE AS SHOWN ON THE PLANS.
3. SLOTTED DRAIN GRATES DO NOT NEED TO BE PAINTED OR GALVANIZED.
4. ENSURE THAT GASKETS, GASKET MATERIALS, O-RINGS, AND COUPLING BANDS MEET THE REQUIREMENTS OF STANDARD DRAWING 706-6.
5. THE FINISHED TOP OF PAVEMENT SHALL BE FLUSH WITH THE GRATE SURFACE.
6. WELD THE METAL GRATE IN ACCORDANCE WITH THE REQUIREMENTS OF THE AMERICAN WELDING SOCIETY D1.1.
7. NOT TO BE USED IN TEMPORARY OR PERMANENT TRAFFIC LANES. USE ONLY WHERE TRAFFIC IS OCCASIONAL, SUCH AS ON HIGHWAY SHOULDERS.
8. NOT TO SCALE.

ORIGINAL STORED
AT: ITD,
Headquarters
3311 West State
Boise, Idaho



REVISIONS							
NO.	DATE	BY	NO.	DATE	BY	NO.	DATE
1	01-79						
2	02-96	IJR					
3	06-02	MSM					
4	10-05	MSM					
5	12-12	RDL					

SCALES SHOWN
ARE FOR 11" X 17"
PRINTS ONLY

CADD FILE NAME:
605-1_1212.dgn

DRAWING DATE:
MAY, 1977

IDAHO
TRANSPORTATION
DEPARTMENT



BOISE IDAHO

ORIGINAL SIGNED BY: LOREN THOMAS
HIGHWAYS PROGRAM OVERSIGHT ENGINEER

ORIGINAL SIGNED BY: TOM COLE
CHIEF ENGINEER

STANDARD DRAWING

STORM SEWER PIPE
12" THRU 30" SLOTTED DRAIN

REQUIRES STD. DWG. 706-6

English

STANDARD DRAWING NO.
605-1

SHEET 1 OF 1