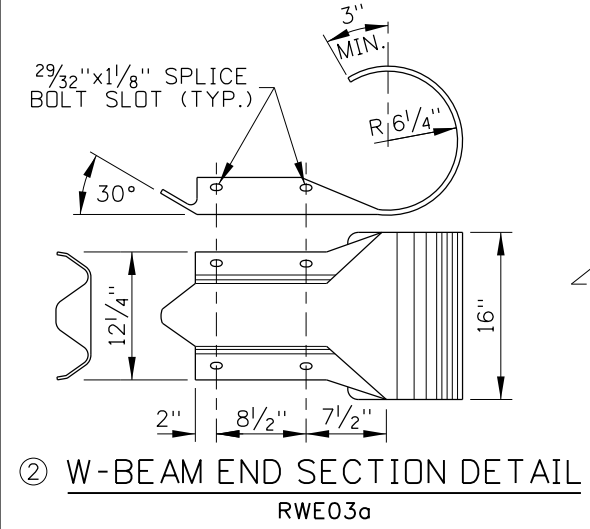
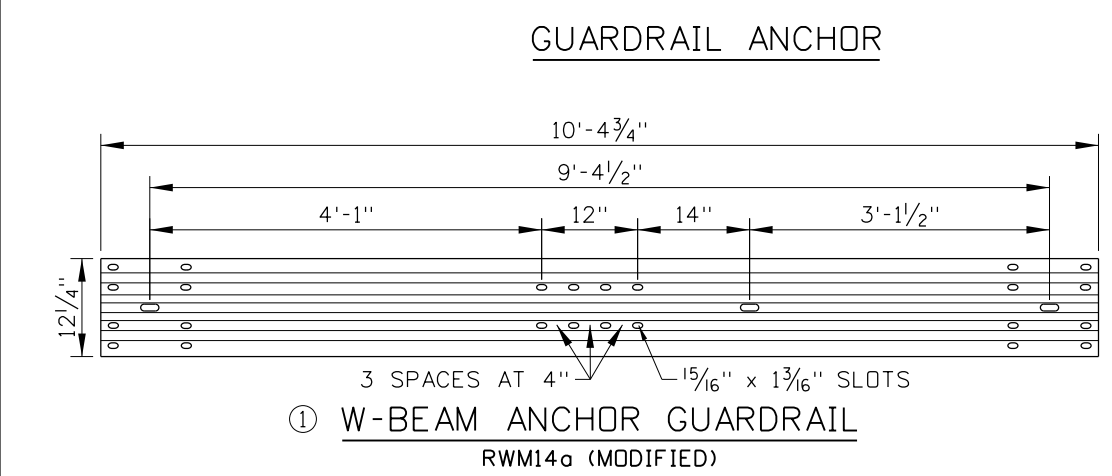


③ FOUNDATION TUBE DETAIL  
PTE06

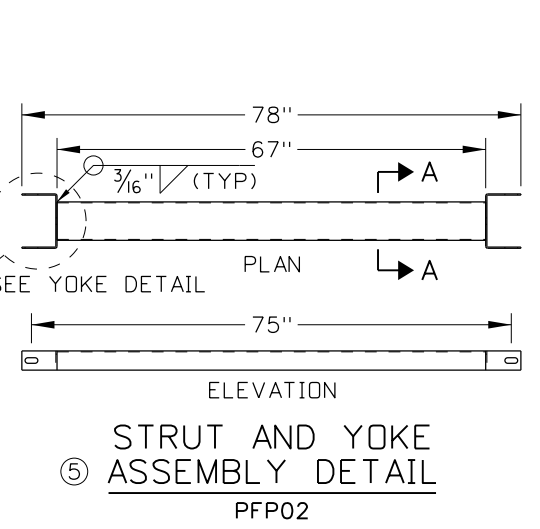
④ BCT TIMBER POST DETAIL  
PDF--

ANCHOR HARDWARE COMPONENTS TABLE			
ITEM NO.	COMPONENT DESCRIPTION	QTY.	TF-13 NAME
①	W-BEAM ANCHOR GUARDRAIL	1	RWM14a (MOD)
②	W-BEAM END SECTION (ROUNDED)	1	RWE03a
③	FOUNDATION TUBE	2	PTE06
④	BCT TIMBER POST	2	PDF--
⑤	STRUT AND YOKE ASSEMBLY	1	PFPO2
⑥	BCT CABLE ANCHOR ASSEMBLY	1	FCA01
⑦	GUARDRAIL ANCHOR BRACKET	1	FPA01
⑧	BCT POST SLEEVE	1	FMM02
⑨	BCT BEARING PLATE	1	FPB01
⑩	SHELF ANGLE BRACKET	1	FPP02
⑪	5/8" GUARDRAIL SPLICE BOLT AND RECESSED NUT	4	FBB01
⑫	10" GUARDRAIL BOLT & RECESSED NUT	2	FBB03
⑬	5/8" X 2" HEX HEAD BOLT & NUT	8	FBX16a
⑭	5/8" X 8" HEX HEAD BOLT & NUT	2	FBX16a
⑮	5/8" X 10" HEX HEAD BOLT & NUT	2	FBX16a
⑯	1" HEX NUTS	4	FNX24a
⑰	5/8" FLAT WASHER	22	FWC16a
⑱	1" FLAT WASHER	2	FWC24a
⑲	16D GALVANIZED NAIL	2	N/A

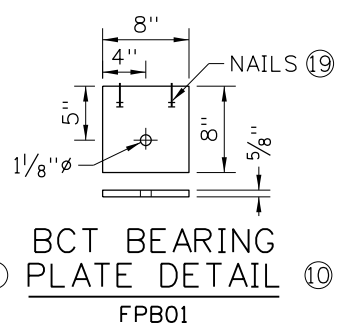


① W-BEAM ANCHOR GUARDRAIL  
RWM14a (MODIFIED)

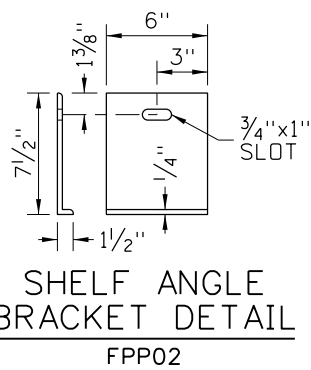
② W-BEAM END SECTION DETAIL  
RWE03a



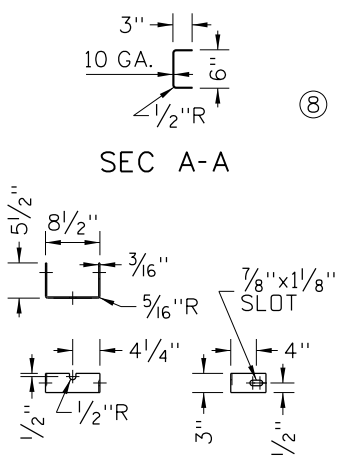
⑤ STRUT AND YOKE ASSEMBLY DETAIL  
PFPO2



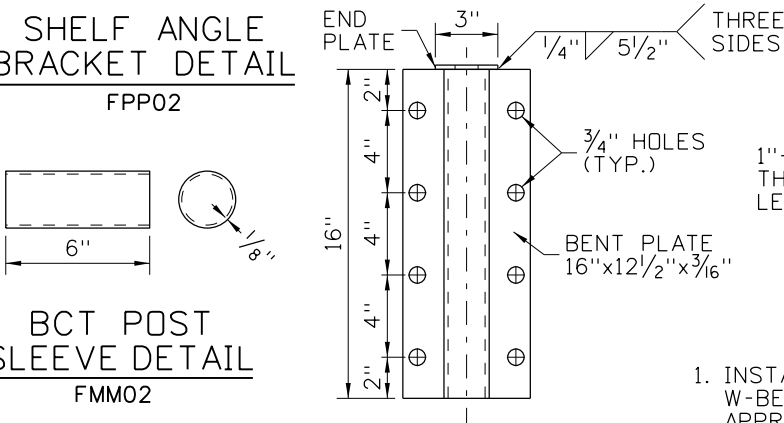
⑨ BCT BEARING PLATE DETAIL  
FPB01



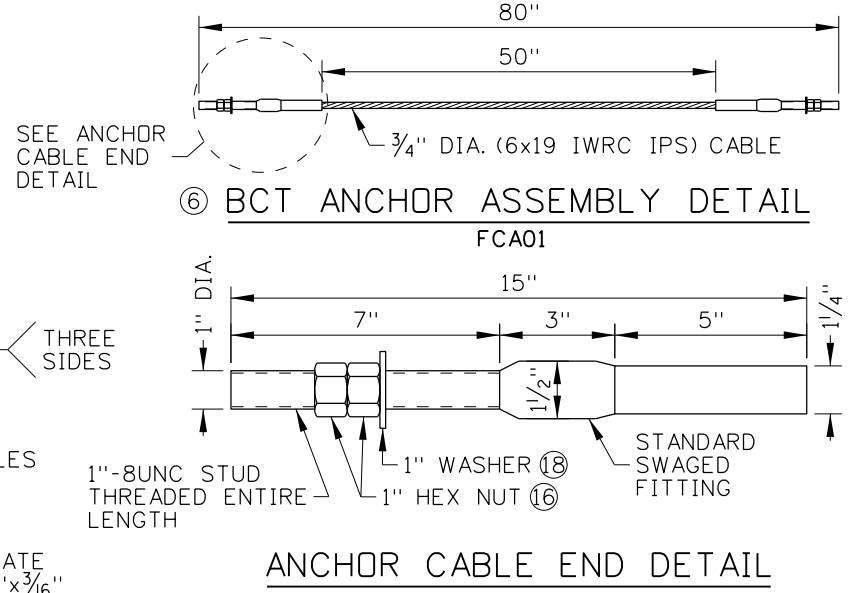
⑩ SHELF ANGLE BRACKET DETAIL  
FPP02



⑧ BCT POST SLEEVE DETAIL  
FMM02



⑦ GUARDRAIL ANCHOR BRACKET DETAIL  
FPA01



- ⑥ BCT ANCHOR ASSEMBLY DETAIL  
FCA01
- ANCHOR CABLE END DETAIL
- NOTES
1. INSTALL THE ANCHOR SYSTEM ON THE TRAILING END OF 31" W-BEAM GUARDRAIL, OUTSIDE OF THE CLEAR ZONE FOR APPROACHING TRAFFIC, OR BOTH.
  2. SUPPORT THE W-BEAM ANCHOR GUARDRAIL AT THE END POST WITH THE SHELF ANGLE BRACKET. DO NOT BOLT THE W-BEAM GUARDRAIL TO THE POST.
  3. ENSURE THAT THE FOUNDATION TUBES DO NOT EXTEND MORE THAN 3 3/4" ABOVE THE FINISHED GRADE.
  4. INSTALL AN EXTRA HEX NUT ON EACH END OF THE BCT CABLE ANCHOR ASSEMBLY.
  5. AFFIX A TYPE 3 OBJECT MARKER TO THE W-BEAM END SECTION WHEN THE ANCHOR IS USED ON AN UNDIVIDED HIGHWAY.
  6. DRAWING NOT TO SCALE.

REVISIONS							
NO.	DATE	BY	NO.	DATE	BY	NO.	DATE

SCALES SHOWN ARE FOR 11" X 17" PRINTS ONLY

CADD FILE NAME: 612-5\_0617.dgn

DRAWING DATE: JUNE, 2017

IDAHO TRANSPORTATION DEPARTMENT

BOISE IDAHO

ORIGINAL SIGNED BY: KEVIN SABLAN  
DESIGN/TRAFFIC SERVICES ENGINEER

STANDARD DRAWING

GUARDRAIL ANCHOR

ORIGINAL STORED AT: ITD, Headquarters 3311 West State Boise, Idaho

English

STANDARD DRAWING NO. 612-5

SHEET 1 OF 1

