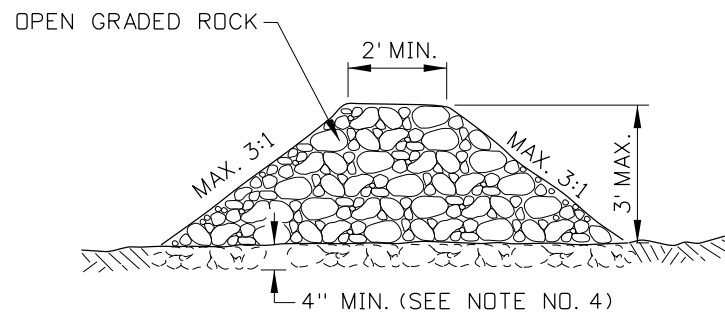
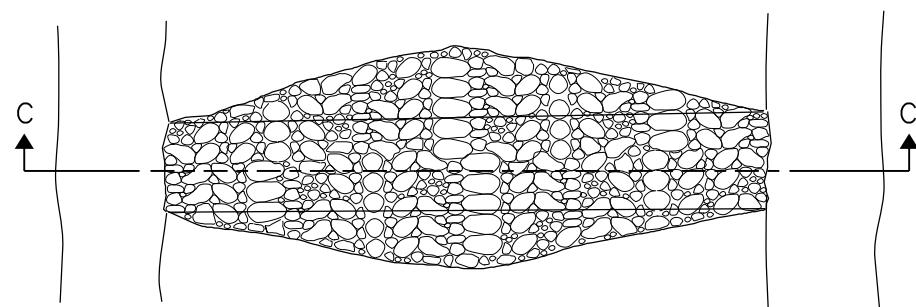


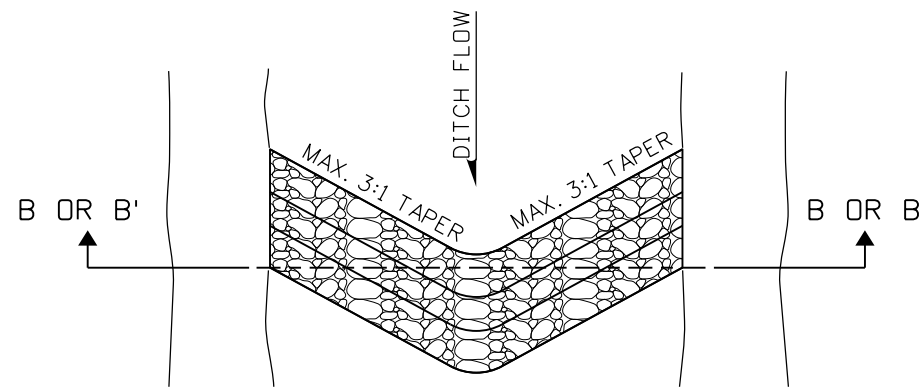
PERSPECTIVE VIEW - AT TOE OF SLOPE
STONE FILTER BERM
(SEE NOTE NO. 6)



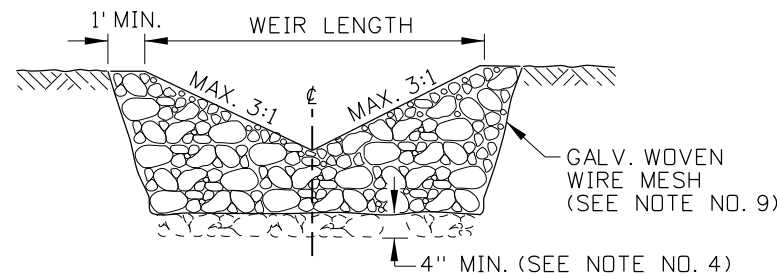
SECTION A-A



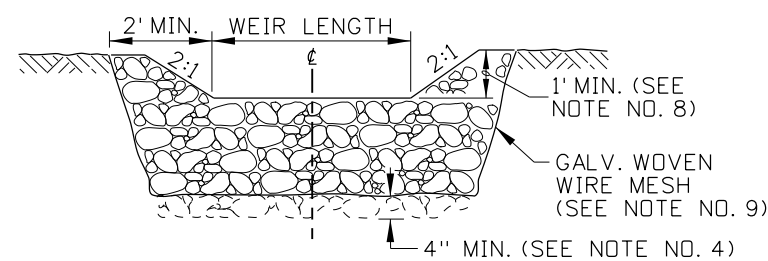
STONE FILTER DAM
(SEE NOTE NOS. 9 THROUGH 11)



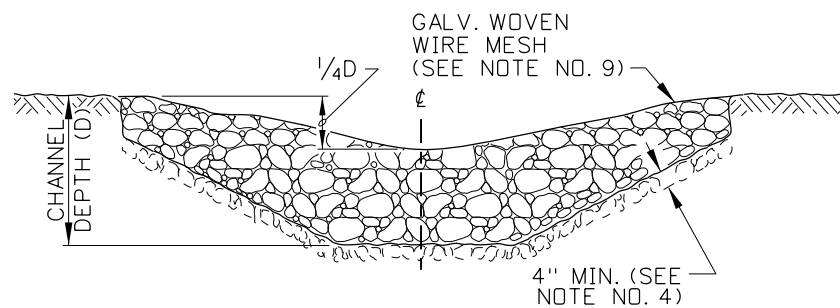
STONE FILTER WEIR
(SEE NOTE NOS. 7 & 8)



"V" NOTCHED WEIR
SECTION B - B
FOR HIGH VELOCITY FLOWS



LEVEL CRESTED WEIR
SECTION B' - B'



ELEVATION - AT CHANNEL SECTION
SECTION C - C

NOTES

1. SEE THE GENERAL NOTES FOR PERMANENT EROSION CONTROL STANDARD DRAWINGS ON 212-10.
2. PLACE STONE FILTER DAMS WHERE UP GRADIENT EROSION IS ANTICIPATED, SUCH AS AT THE TOE OF SLOPES, UPSTREAM OF DRAINAGE STRUCTURES, DOWNSTREAM OF DRAINAGE STRUCTURES, OR BOTH, IN ROADWAY DITCHES AND IN CHANNELS.
3. DIRECT THE OUTLET SIDE OF STONE FILTER DAMS ONTO A STABILIZED AREA SUCH AS VEGETATION, STONE, OR BOTH.
4. EMBED STONE FILTER DAMS A MINIMUM OF 4 INCHES INTO THE EXISTING GROUND OR EMBANKMENT.
5. ENSURE THAT BERM, WEIR, AND DAM SIDE SLOPES ARE 3:1 OR FLATTER. ENSURE THAT BERMS, WEIRS, AND DAMS WITHIN THE CLEAR ZONE HAVE SLOPES OF 6:1 OR FLATTER UNLESS SHIELDED.
6. FILTER BERMS MAY BE USED ON SLOPE TOES, AROUND INLETS, IN SHALLOW DITCHES, AND AT DIKE AND SWALE OUTLETS. THIS TYPE OF STONE FILTER BERM IS RECOMMENDED TO CONTROL SEDIMENT FROM A DRAINAGE AREA OF 5 ACRES OR LESS. FILTER BERMS MAY NOT BE USED IN CONCENTRATED HIGH VELOCITY FLOWS (GREATER THAN 8FT./SEC.) IN WHICH AGGREGATE WASH-OUT MAY OCCUR. SANDBAGS MAY BE EMBEDDED AT THE FILTER DAM EDGES (4" OR MORE) FOR BETTER FILTERING EFFICIENCY WHEN CALLED FOR ON THE PLANS OR WHEN DIRECTED BY THE ENGINEER.
7. FILTER WEIRS, DAMS, OR BOTH MAY BE USED IN DITCHES AND AT DIKE AND SWALE OUTLETS.
8. ENSURE THAT FILTER WEIRS HAVE A MINIMUM OF 1 FT DISTANCE BETWEEN THE TOP OF WEIR AND THE TOP OF THE EMBANKMENT. THE "V" NOTCH OPTION IS INTENDED TO BE USED ON HIGH VELOCITY FLOWS (GREATER THAN 8FT/SEC).
9. SECURE FILTER WEIRS AND DAMS WITH 20 GAUGE GALVANIZED WOVEN WIRE MESH WITH 1" DIAMETER HEXAGONAL OPENINGS. PLACE THE STONE IN THE MESH TO THE HEIGHT AND SLOPE SPECIFIED. THE MESH SHOULD BE FOLDED AT THE UPSTREAM SIDE OVER THE AGGREGATE AND TIGHTLY SECURED TO ITSELF ON THE DOWNSTREAM SIDE USING WIRE TIES, HOG RINGS, OR LOCKING PLASTIC TIES.
10. CONSTRUCT FILTER DAMS DOWNSTREAM FROM THE DISTURBED AREAS TO INTERCEPT SEDIMENT FROM OVERLAND RUNOFF, CONCENTRATED FLOW, OR BOTH. DAMS SHOULD BE SIZED TO FILTER A MAXIMUM FLOW RATE OF 60 GPM PER LINEAR FOOT OF DAM WIDTH. A FIVE YEAR STORM FREQUENCY MAY BE USED TO CALCULATE THE FLOW RATE.
11. USE FILTER DAMS IN STREAMS AND CHANNELS. SECURE TO THE STREAM BED AND EMBANKMENT EDGES.
12. SPACE CHECK DAMS ACCORDING TO THE HEIGHT OF THE DAM AND THE SLOPE OF THE CHANNEL SO THAT THE BACKWATER FROM THE DOWNSTREAM DAM REACHES THE TOE OF THE UPSTREAM DAM.
13. NOT TO SCALE.

REVISIONS							
NO.	DATE	BY	NO.	DATE	BY	NO.	DATE
1	05-95	MSM	6	11-16	RDL		
2	02-96	MSM					
3	10-10	KEH					
4	10-11	KEH					
5	01-13	RDL					

SCALES SHOWN ARE FOR 11" X 17" PRINTS ONLY
CADD FILE NAME: 212-11_0213.dgn
DRAWING DATE: JANUARY, 1994

IDAHO TRANSPORTATION DEPARTMENT



BOISE IDAHO

ORIGINAL SIGNED BY: LOREN THOMAS
HIGHWAYS PROGRAM OVERSIGHT ENGINEER

ORIGINAL SIGNED BY: TOM COLE
CHIEF ENGINEER

STANDARD DRAWING
PERMANENT EROSION AND SEDIMENT CONTROL
STONE FILTER BERMS, DAMS, AND WEIRS
REQUIRES STD. DWG. 212-10

ORIGINAL STORED AT: ITD, Headquarters 3311 West State Boise, Idaho

English

STANDARD DRAWING NO.
212-11

SHEET 1 OF 1

ORIGINAL SIGNED BY:
J. CALEB LAKEY
DATE ORIGINAL SIGNED:
FEBRUARY 1, 2013