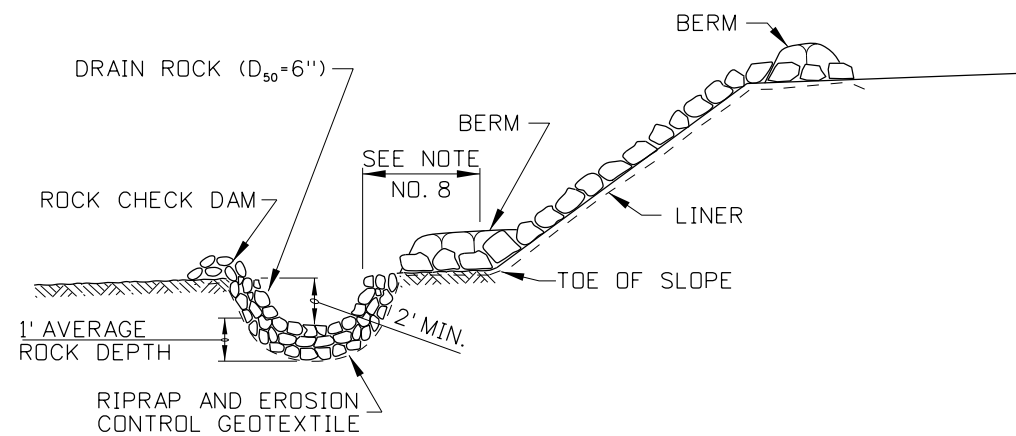
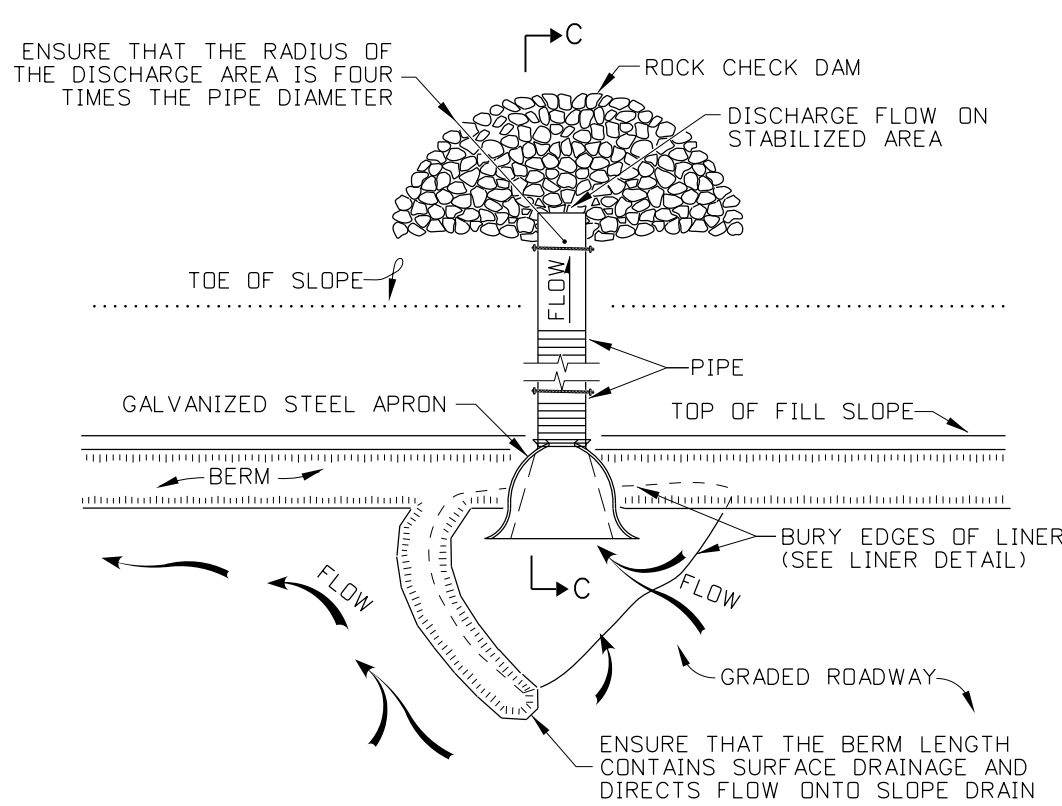


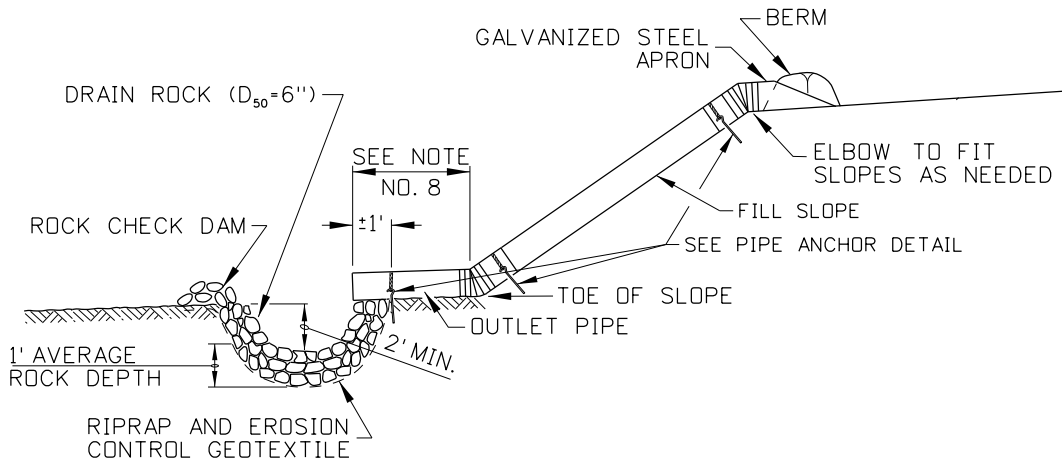
**SLOPE DRAIN (LINER)**  
TO BE USED WITH 4:1 SLOPE OR FLATTER



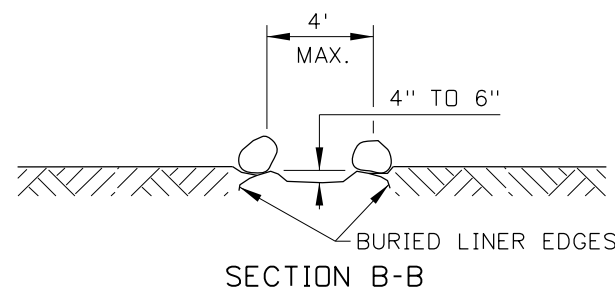
SECTION A-A



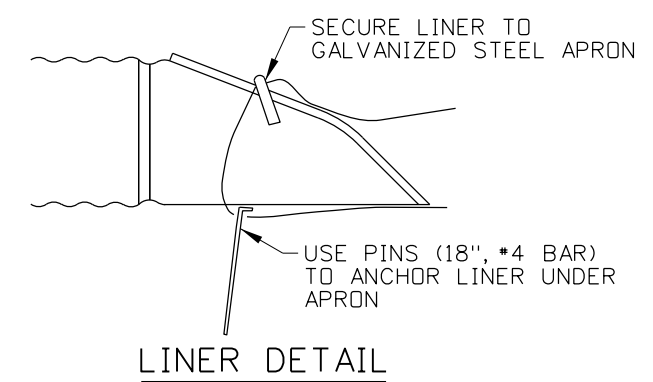
**SLOPE DRAIN (PIPE)**



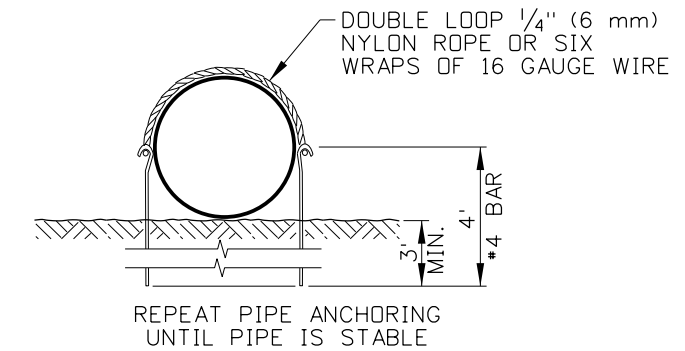
SECTION C-C



SECTION B-B



**LINER DETAIL**



**PIPE ANCHOR DETAIL**

**NOTES**

1. SEE THE GENERAL NOTES FOR TEMPORARY EROSION CONTROL STANDARD DRAWINGS ON 212-1.
2. PLACE SLOPE DRAINS ON UNDISTURBED SOIL OR WELL COMPACTED FILL AND LOCATE AS SHOWN ON THE PLANS.
3. DETERMINE SLOPE DRAIN SIZE AND NUMBER BY DESIGN STORM EVENT.
4. INSTALL GALVANIZED STEEL APRONS AS SHOWN ON STANDARD DRAWING 608-1. CONNECT PIPES AS SHOWN ON STANDARD DRAWING 706-6.
5. CHECK SLOPE DRAINS PERIODICALLY FOR DAMAGE OR DEBRIS. PLACE ANCHORS AS NEEDED TO SECURE THE SLOPE DRAIN.
6. LINERS MAY CONSIST OF PLASTIC SHEETING, EROSION CONTROL GEOTEXTILES, OR APPROVED TURF REINFORCED MAT (TRM).
7. EXTEND LINER AT LEAST 3.5' IN FRONT OF DRAIN INLET.
8. 4' MINIMUM AT LESS THAN 1 PERCENT SLOPE. ENSURE DISCHARGE IS AT A NON-EROSIVE VELOCITY.
9. NOT TO SCALE.

ORIGINAL STORED AT: ITD, Headquarters 3311 West State Boise, Idaho

ORIGINAL SIGNED BY: J. CALEB LAKEY DATE ORIGINAL SIGNED: NOVEMBER 20, 2013

REVISIONS								
NO.	DATE	BY	NO.	DATE	BY	NO.	DATE	BY
1	9-93	MSM						
2	6-96	GFK						
3	10-10	KEH						
4	11-13	RDL						

SCALES SHOWN ARE FOR 11" X 17" PRINTS ONLY  
CADD FILE NAME: 212-2\_1113.dgn  
DRAWING DATE: APRIL, 1993

**IDAHO TRANSPORTATION DEPARTMENT**



BOISE IDAHO

ORIGINAL SIGNED BY: TOM COLE for HIGHWAYS PROGRAM OVERSIGHT ENGINEER  
ORIGINAL SIGNED BY: TOM COLE CHIEF ENGINEER

STANDARD DRAWING  
**TEMPORARY EROSION AND SEDIMENT CONTROL SLOPE DRAINS**  
REQ. STD. DWGS. 212-1, 212-5, 608-1, & 706-6

**English**  
STANDARD DRAWING NO. 212-2  
SHEET 1 OF 1